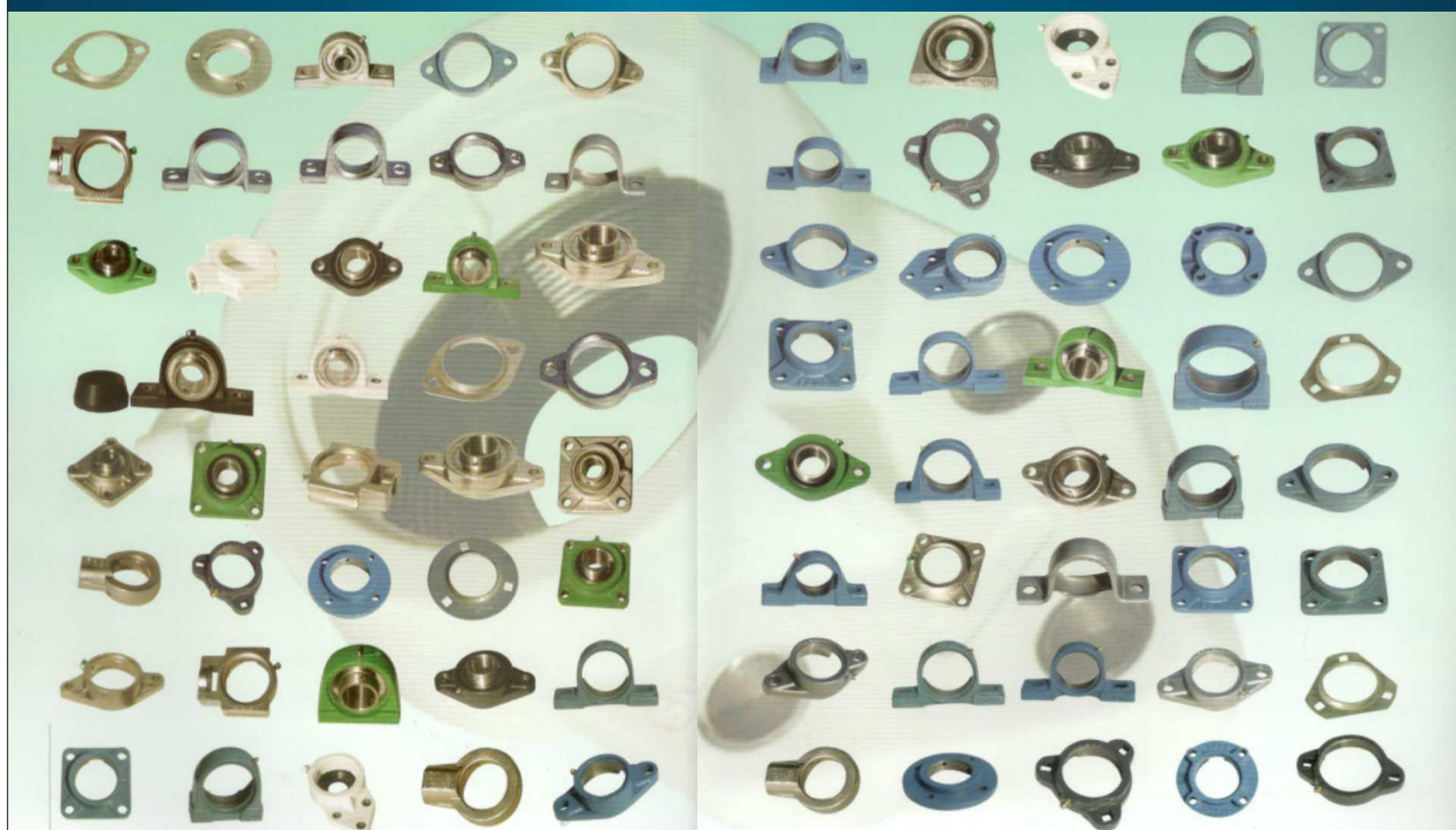


常州卡迪国际贸易有限公司

CHANGZHOU KADI INTERNATIONAL TRADE CO.,LTD



www.kadi-global.com

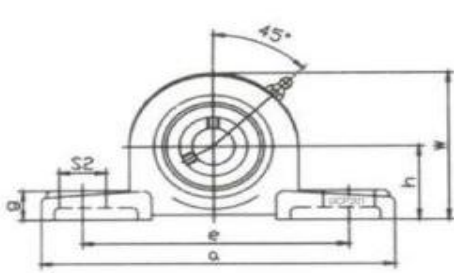
E: info@kadi-cn.com

sales@kadi-cn.com

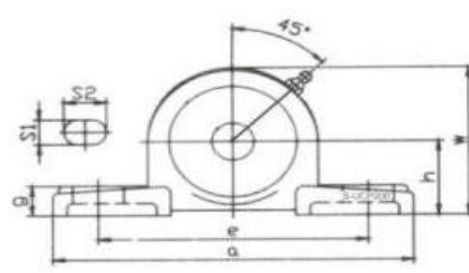
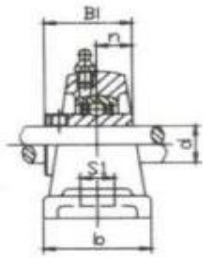
Contents

Pillow Blocks.....	1-16
Square Flange Units.....	17-22
Two-Bolt Flange Units.....	23-30
Flange Cartridge Units.....	31-38
Take-Up Units.....	39-44
Cylindrical Cartridge Units.....	45-47
Hanger Bearing Units.....	48-49
Three-Bolt Flange Units.....	50-51
Two Or Four Bolt Flange Units.....	52
Three-Bolt Flange Bracket Units.....	53-54
Pressed Housing Round Units.....	55-56
Zinc Alloy Bearing Units.....	57-58
Thermoplastic Units.....	59-61
Ball Bearing Units.....	62-68
Ball bearing Inserts.....	69-77
Bearing Housing.....	78-82

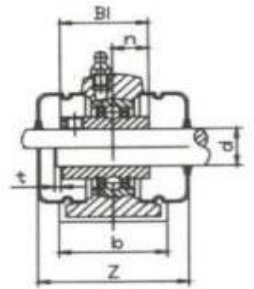
PILLOW BLOCKS



UCP200 SERIES



S-UCP200 SERIES
SM-UCP200 SERIES

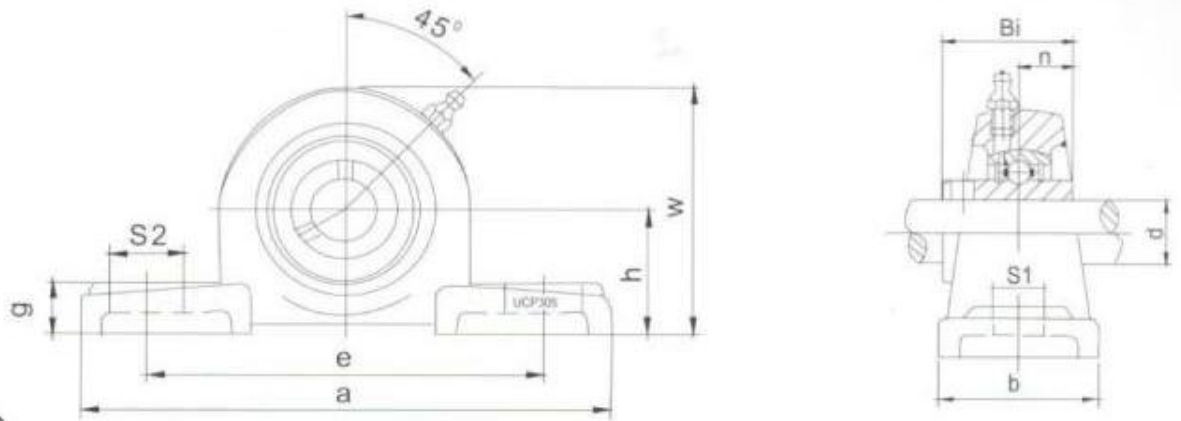


Bearing Unit No.	Shaft Dia _d		Dimensions (mm)												Bolt Used		Bearing No.	Housing No.	Housing wt (kg)																																	
	(in)	(mm)	h	a	e	b	S2	S1	g	w	t	Z	Bi	n	(mm)	(in)																																				
UCP201-8 202-9 202-10 203-11	1/2 9/16 5/8 11/16	12	30.2	127	95	38	19	13	14	62	2	51	31	12.7	M10	3/8	UC201-8 202-9 202-10 203-11	P203	0.33																																	
UCP201 202 203	15 17																			UC201 202 203																																
UCP204-12 UCP204	3/4 20																				33.3 127	95 38	19 13	14 65	2 51	31 12.7	M10 3/8	UC204-12 UC204	P204	0.46																						
UCP205-13 205-14 205-15 205-16	13/16 7/8 15/16 1																				25	36.5 140	105 38	19 13	15 71	2 57	34.1 14.3	M10 3/8	UC205-13 205-14 205-15 205-16	P205	0.60																					
UCP205	1	30	42.9	165	121	48	21	17	17	83	2	62	38.1	15.9	M14	1/2	UC206-17 206-18 206-19 206-20	P206	0.97																																	
UCP206-17 206-18 206-19 206-20	1-1/16 1-1/8 1-3/16 1-1/4																			UC206																																
UCP207-20 207-21 207-22 207-23	1-1/4 1-5/16 1-3/8 1-7/16																				35	47.6	167	127	48	21	17	18	93	3	72	42.9	17.5	M14	1/2	UC207-20 207-21 207-22 207-23	P207	1.00														
UCP207	1-7/16																																						UC207													
UCP208-24 208-25	1-1/2 1-9/16	40	49.2	184	137	54	21	17	18	98	3	82	49.2	19.0	M14	1/2	UC208-24 208-25	P208	1.30																																	
UCP208	1-9/16																			UC208																																
UCP209-26 209-27 209-28	1-5/8 1-11/16 1-3/4																				45	54	190	146	54	21	17	20	106	3	82	49.2	19.0	M14	1/2	UC209-26 209-27 209-28	P209	1.40														
UCP209	1-3/4																																						UC209													
UCP210-29 210-30 210-31 210-32	1-13/16 1-7/8 1-15/16 2	50	57.2	206	159	60	25	20	21	114	3	87	51.6	19.0	M16	5/8	UC210-29 210-30 210-31 210-32	P210	1.83																																	
UCP210	2																			UC210																																
UCP211-32 211-33 211-34 211-35	2 2-1/8 2-1/8 2-3/16																				55	63.5	219	171	60	25	20	23	126	4	92	55.6	22.2	M16	5/8	UC211-32 211-33 211-34 211-35	P211	2.4														
UCP211	2-3/16																																						UC211													
UCP212-36 212-37 212-38 212-39	2-1/4 2-5/16 2-3/8 2-7/16	60	69.8	241	184	70	25	20	25	138	4	102	65.1	25.4	M16	5/8	UC212-36 212-37 212-38 212-39	P212	2.8																																	
UCP212	2-7/16																			UC212																																
UCP213-40 213-41	2-1/2 2-9/16																				65	76.2	265	203	70	29	25	27	151	4	107	65.1	25.4	M20	3/4	UC213-40 213-41	P213	3.5														
UCP213	2-9/16																																						UC213													
UCP214-42 214-43 214-44	2-5/8 2-11/16 2-3/4	70	79.4	266	210	72	31	25	27	157			74.6	30.2	M20	3/4	UC214-42 214-43 214-44	P214	4.45																																	
UCP214	2-3/4																			UC214																																
UCP215-45 215-46 215-47 215-48	2-13/16 2-7/8 2-15/16 3																				75	82.6	275	217	74	31	25	28	163			77.8	33.3	M20	3/4	UC215-45 215-46 215-47 215-48	P215	4.9														
UCP215	3																																						UC215													
UCP216-50 UCP216	3-1/8 80	88.9	292	232	78	31	25	30	175			82.6	33.3	M20	3/4	UC216-50 UC216	P216	5.8																																		
UCP217-52 UCP217	3-1/4 85																		95.2	310																				247	83	31	25	32	187			85.7	34.1	M20	3/4	UC217-52 UC217
UCP218-56 UCP218	3-1/2 90																				101.6	327	262	88	33	27	33	200			96.0	39.7	M22	7/8	UC218-56 UC218	P218	8.10															

CHANGZHOU KADI INTERNATIONAL

Note: All mentioned names, Trademarks and Part No. are the property of their respective manufacturers, all consumables are not original, are manufactured and sold by KADI CO., reference to the original manufacturer is for convenience only.

PILLOW BLOCKS



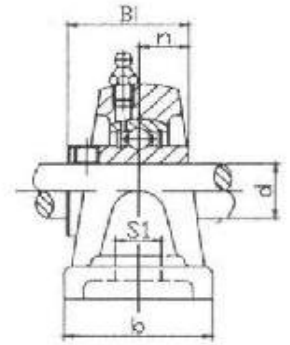
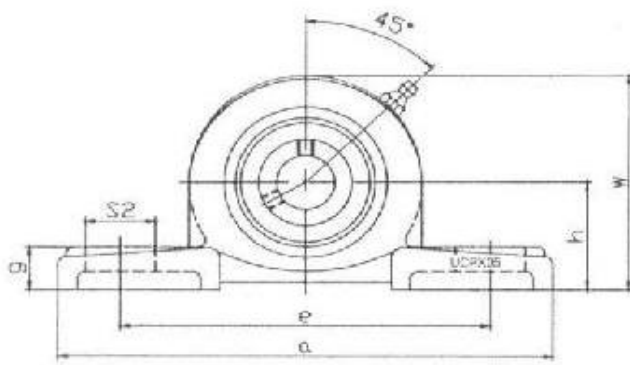
UCP300 SERIES

Bearing Unit No.	Shaft Dia		Dimensions (mm)										Bolt Used		Bearing No.	Housing No.	Housing wt (kg)
	(in)	(mm)	h	a	e	b	s2	s1	g	w	Bi	n	(in)	(mm)			
UCP305-14 305-15 305-16 UCP305	7/8 15/16 1	25	45	175	132	45	20	17	15	85	38	15	1/2	M14	UC305-14 305-15 305-16 UC305	P305	0.90
UCP306-18 306-19 UCP306	1-1/8 1-3/16	30	50	180	140	50	20	17	18	95	43	17	1/2	M14	UC306-18 306-19 UC306	P306	1.10
UCP307-20 307-21 307-22 307-23 UCP307	1-1/4 1-5/16 1-3/8 1-7/16	35	56	210	160	56	25	17	20	106	48	19	1/2	M14	UC307-20 307-21 307-22 307-23 UC307	P307	1.95
UCP308-24 308-25 UCP308	1-1/2 1-9/16	40	60	220	170	60	27	17	22	116	52	19	1/2	M14	UC308-24 308-25 UC308	P308	2.20
UCP309-26 309-27 309-28 UCP309	1-5/8 1-11/16 1-3/4	45	67	245	190	67	30	20	24	129	57	22	5/8	M16	UC309-26 309-27 309-28 UC309	P309	3.30
UCP310-30 310-31 UCP310	1-7/8 1-15/16	50	75	275	212	75	35	20	27	143	61	22	5/8	M16	UC310-30 310-31 UC310	P310	4.80
UCP311-32 311-34 311-35 UCP311	2 2-3/8 2-3/16	55	80	310	236	80	38	20	30	154	66	25	5/8	M16	UC311-32 311-34 311-35 UC311	P311	5.30
UCP312-36 312-38 312-39 UCP312	2-1/4 2-3/8 2-7/16	60	85	330	250	85	38	25	32	165	71	26	3/4	M20	UC312-36 312-38 312-39 UC312	P312	6.30
UCP313-40 UCP313	2-1/2	65	90	340	260	90	38	25	33	176	75	30	3/4	M20	UC313-40 UC313	P313	8.00
UCP314-44 UCP314	2-3/4	70	95	360	280	90	40	27	35	187	78	33	7/8	M22	UC314-44 UC314	P314	8.30
UCP315-48 UCP315	3	75	100	380	290	100	40	27	35	198	82	32	7/8	M22	UC315-48 UC315	P315	9.50
UCP316-50 UCP316	3-1/8	80	106	400	300	110	40	27	40	210	86	34	7/8	M22	UC316-50 UC315	P316	12.50
UCP317-52 UCP317	3-1/4	85	112	420	320	110	45	33	40	220	96	40	1	M27	UC317-52 UC317	P317	14.50
UCP318-56 UCP318	3-1/2	90	118	430	330	110	45	33	45	235	96	40	1	M27	UC318-56 UC318	P318	20.40
UCP319-60 UCP319	3-3/4	95	125	470	360	120	50	36	45	250	103	41	1-1/8	M30	UC319-60 UC319	P319	22.30
UCP320-64 UCP320	4	100	140	490	380	120	50	36	50	275	108	42	1-1/8	M30	UC320-64 UC320	P320	25.00
UCP321		105	140	490	380	120	50	36	50	280	112	44	1-1/8	M30	UC321	P321	24.00
UCP322		110	150	520	400	140	55	40	55	300	117	46		M33	UC322	P322	27.50
UCP324		120	160	570	450	140	55	40	65	320	126	51		M33	UC324	P324	32.30
UCP326		130	180	600	480	140	55	40	75	355	135	54		M33	UC326	P326	41.00
UCP328		140	200	620	500	140	55	40	75	390	145	59		M33	UC328	P328	50.00

CHANGZHOU KADI INTERNATIONAL

Note: All mentioned names, Trademarks and Part No. are the property of their respective manufacturers, all consumables are not original, are manufactured and sold by KADI CO., reference to the original manufacturer is for convenience only.

PILLOW BLOCKS



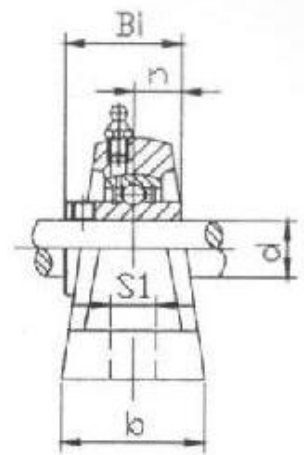
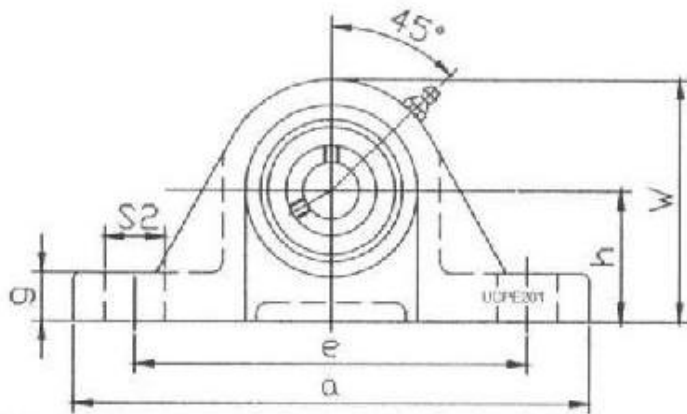
UCPX00 SERIES

Bearing Unit No.	Shaft Dia d		Dimensions (mm)										Bolt Used		Bearing No.	Housing No.	Housing wt (kg)
	(in)	(mm)	h	a	e	b	S2	s1	g	w	Bi	n	(in)	(mm)			
UCPX05-16 UCPX05	1	25	44.4	159	119	51	25	17	18	85	38.1	15.9	1/2	M14	UCX05-16 UCX05	PX05	1.02
UCPX06-19 X06-20 UCPX06	1-3/16 1-1/4	30	47.6	175	127	57	25	17	20	94	42.9	17.5	1/2	M14	UCX06-19 X06-20 UCX06	PX06	1.33
UCPX07-22 X07-23 UCPX07	1-3/8 1-7/16	35	54	203	144	57	30	17	22	105	49.2	19	1/2	M14	UCX07-22 X07-23 UCX07	PX07	1.71
UCPX08-24 UCPX08	1-1/2	40	58.7	222	156	67	32	20	26	113	49.2	19	5/8	M16	UCX08-24 UCX08	PX08	2.09
UCPX09-26 X09-27 X09-28 UCPX09	1-5/8 1-11/16 1-3/4	45	58.7	222	156	67	33	20	26	116	51.6	19	5/8	M16	UCX09-26 X09-27 X09-28 UCX09	PX09	2.3
UCPX10-31 X10-32 UCPX10	1-15/16 2	50	63.5	241	171	73	36	20	27	126	55.6	22.2	5/8	M16	UCX10-31 X10-32 UCX10	PX10	2.85
UCPX11-35 UCPX11	2-3/16	55	69.8	260	184	79	36	25	30	139	65.1	25.4	3/4	M20	UCX11-35 UCX11	PX11	4.04
UCPX12-38 X12-39 UCPX12	2-3/8 2-7/16	60	76.2	286	203	83	41	25	32	151	65.1	25.4	3/4	M20	UCX12-38 X12-39 UCX12	PX12	4.85
UCPX13-40 UCPX13	2-1/2	65	76.2	286	203	83	41	25	32	154	74.6	30.2	3/4	M20	UCX13-40 UCX13	PX13	5
UCPX14-44 UCPX14	2-3/4	70	88.9	330	229	89	51	27	35	172	77.8	33.3	7/8	M22	UCX14-44 UCX14	PX14	7.12
UCPX15-47 X15-48 UCPX15	2-15/16 3	75	88.9	330	229	89	51	27	35	177	82.6	33.3	7/8	M22	UCX15-47 X15-48 UCX15	PX15	6.65
UCPX16-50 UCPX16	3-1/8	80	101.6	381	283	102	59	27	42	197	85.7	34.1	7/8	M22	UCX16-50 UCX16	PX16	9.5
UCPX17-52 UCPX17	3-1/4	85	101.6	381	283	102	59	27	42	202	96	39.7	7/8	M22	UCX17-52 UCX17	PX17	10.64
UCPX18-56 UCPX18	3-1/2	90	101.6	381	283	111	60	27	45	206	104	42.9	7/8	M22	UCX18-56 UCX18	PX18	11.5
UCPX20-63 X20-64 UCPX20	3-15/16 4	100	127	432	337	121	64	33	52	250	117.5	49.2	1-1/8	M30	UCX20-63 X20-64 UCX20	PX20	19.76

CHANGZHOU KADI INTERNATIONAL

Note: All mentioned names, Trademarks and Part No. are the property of their respective manufacturers, all consumables are not original, are manufactured and sold by KADI CO., reference to the original manufacturer is for convenience only.

PILLOW BLOCKS



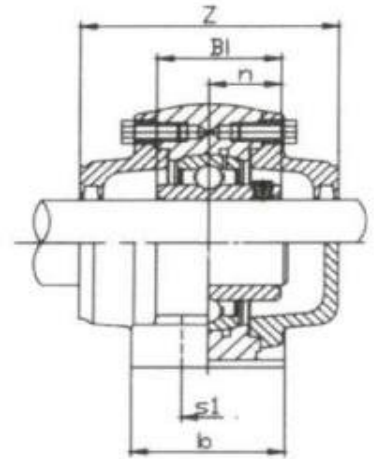
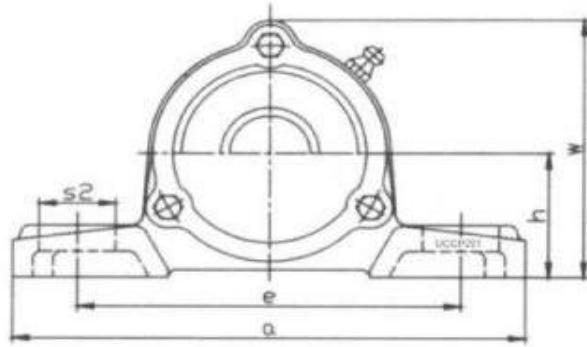
UCPE200 SERIES

Bearing Unit No.	Shaft Dia		Dimensions (mm)										Bolt Used		Bearing No.	Housing No.	Housing wt (kg)
	(in)	(mm)	h	a	e	b	S2	S1	g	w	Bi	n	(in)	(mm)			
UCPE201-8 202-9 202-10 203-11	1/2 9/16 5/8 11/16		30.2	124	95	31	15	11	14	57.1	26	10	M8	5/16	UCW201-8 202-9 202-10 203-11	PE203	0.45
UCPE201 202 203		12 15 17													UCW201 202 203		
UCPE204-12 UCPE204	3/4	20	33.3	127	95	38	16	13	15	65	31	12.7	M10	3/8	UC204-12 UC204	PE204	0.65
UCPE205-13 205-14 205-15 205-16	13/16 7/8 15/16 1		36.6	140	105	38	16	13	16	70	34	14.3	M10	3/8	UC205-13 205-14 205-15 205-16	PE205	0.75
UCPE205		25													UC205		
UCPE206-17 206-18 206-19 206-20	1-1/16 1-1/8 1-3/16 1-1/4		42.9	165	121	48	21	17	18	83	38.1	15.9	M14	1/2	UC206-17 206-18 206-19 206-20	PE206	1.15
UCPE206		30													UC206		
UCPE207-20 207-21 207-22 207-23	1-1/4 1-5/16 1-3/8 1-7/16		47.6	167	127	48	21	17	19	94	42.9	17.5	M14	1/2	UC207-20 207-21 207-22 207-23	PE207	1.30
UCPE207		35													UC207		
UCPE208-24 208-25	1-1/2 1-9/16		49.2	184	137	54	25	17	19	100	49.2	19.0	M14	1/2	UC208-24 208-25	PE208	1.50
UCPE208		40													UC208		
UCPE209-26 209-27 209-28	1-5/8 1-11/16 1-3/4		54	190	146	54	25	17	20	108	49.2	19.0	M14	1/2	UC209-26 209-27 209-28	PE209	1.75
UCPE209		45													UC209		
UCPE210-29 210-30 210-31 210-32	1-13/16 1-7/8 1-15/16 2		57.2	206	159	60	25	20	22	114	51.6	19.0	M16	5/8	UC210-29 210-30 210-31 210-32	PE210	2.35
UCPE210		50													UC210		
UCPE211-32 211-33 211-34 211-35	2 2-1/16 2-1/8 2-3/16		63.5	219	171	60	25	20	22	126	55.6	22.2	M16	5/8	UC211-32 211-33 211-34 211-35	PE211	2.60
UCPE211		55													UC211		
UCPE212-36 212-37 212-38 212-39	2-1/4 2-5/16 2-3/8 2-7/16		69.8	241	184	70	25	20	25	138	65.1	25.4	M16	5/8	UC212-36 212-37 212-38 212-39	PE212	4.00
UCPE212		60													UC212		
UCPE213-40 213-41	2-1/2 2-9/16		76.2	265	203	70	29	25	27	150	65.1	25.4	M20	3/4	UC213-40 213-41	PE213	4.77
UCPE213		65													UC213		
UCPE214-42 214-43 214-44	2-5/8 2-11/16 2-3/4		79.4	266	210	72	31	25	27	156	74.6	30.2	M20	3/4	UC214-42 214-43 214-44	PE214	5.30
UCPE214		70													UC214		
UCPE215-45 215-46 215-47 215-48	2-13/16 2-7/8 2-15/16 3		82.6	275	217	74	31	25	28	163	77.8	33.3	M20	3/4	UC215-45 215-46 215-47 215-48	PE215	6.00
UCPE215		75													UC215		

CHANGZHOU KADI INTERNATIONAL

Note: All mentioned names, Trademarks and Part No. are the property of their respective manufacturers, all consumables are not original, are manufactured and sold by KADI CO., reference to the original manufacturer is for convenience only.

PILLOW BLOCKS



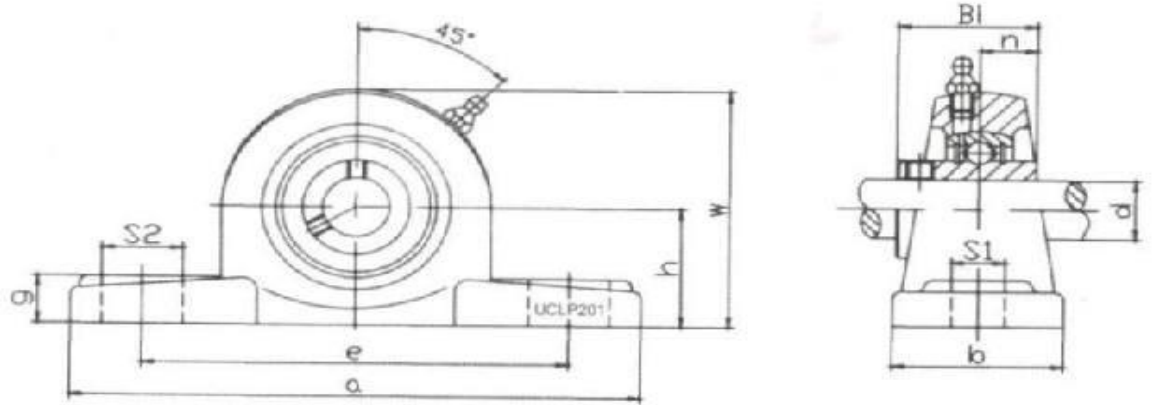
UCCP200 SERIES

Bearing Unit No.	Shaft Dia		Dimensions (mm)										Bolt Used		Bearing No.	Housing No.	Housing wt (kg)
	(in)	(mm)	h	a	e	b	s1	s2	w	z	Bl	n	mm	in			
UCCP201C-8 202C-9 202C-10 203C-11	1/2 9/16 5/8 11/16		30.2	127	95	38	13	19	66	62	31	12.7	M10	3/8	UC201-8 202-9 202-10 203-11	CP201 CP202 CP203	0.89
UCCP201C 202C 203C		12 15 17													UC201 202 203		
UCCP204C-12 UCCP204C	3/4	20	33.3	127	95	38	13	19	69	62	31	12.7	M10	3/8	UC204-12 UC204	CP204	0.89
UCCP205C-13 205C-14 205C-15 205C-16	13/16 7/8 15/16 1		36.5	140	105	38	13	19	76	70	34	14.3	M10	3/8	UC205-13 205-14 205-15 205-16	CP205	1.21
UCCP205C		25													UC205		
UCCP206C-17 206C-18 206C-19 206C-20	1-1/16 1-1/8 1-3/16 1-1/4		42.9	165	121	48	17	21	87	74	38.1	15.9	M14	1/2	UC206-17 206-18 206-19 206-20	CP206	1.69
UCCP206C		30													UC206		
UCCP207C-20 207C-21 207C-22 207C-23	1-1/4 1-5/16 1-3/8 1-7/16		47.6	167	127	48	17	21	97	80	42.9	17.5	M14	1/2	UC207-20 207-21 207-22 207-23	CP207	2.01
UCCP207C		35													UC207		
UCCP208C-24 208C-25	1-1/2 1-9/16		49.2	184	137	54	17	25	104	90	49.2	19	M14	1/2	UC208-24 208-25	CP208	2.37
UCCP208C		40													UC208		
UCCP209C-26 209C-27 209C-28	1-5/8 1-11/16 1-3/4		54	190	146	54	17	22	114	90	49.2	19	M14	1/2	UC209-26 209-27 209-28	CP209	2.72
UCCP209C		45													UC209		
UCCP210C-29 210C-30 210C-31 210C-32	1-13/16 1-7/8 1-15/16 2		57.2	206	159	60	20	25	120	98	51.6	19	M16	5/8	UC210-29 210-30 210-31 210-32	CP210	3.31
UCCP210C		50													UC210		
UCCP211C-32 211C-33 211C-34 211C-35	2 2-1/16 2-1/8 2-3/16		63.5	219	171	60	20	25	133	100	55.6	22.2	M16	5/8	UC211C-32 211-33 211-34 211-35	CP211	4.06
UCCP211C		55													UC211		
UCCP212C-36 212C-37 212C-38 212C-39	2-1/4 2-5/16 2-3/8 2-7/16		69.8	241	184	70	20	25	145	114	65.1	25.4	M16	5/8	UC212-36 212-37 212-38 212-39	CP212	5.34
UCCP212C		60													UC212		
UCCP213C-40 213C-41	2-1/2 2-9/16		76.2	265	203	70	25	29	156	118	65.1	25.4	M22	7/8	UC213-40 213-41	CP213	6.17
UCCP213C		65													UC213		
UCCP214C-42 214C-43 214C-44	2-5/8 2-11/16 2-3/4		79.4	266	210	72	25	31	162	134	74.6	30.2	M22	7/8	UC214-42 214-43 214-44	CP214	7.36
UCCP214C		70													UC214		
UCCP215C-45 215C-46 215C-47 215C-48	2-13/16 2-7/8 2-15/16 3		82.6	275	217	74	25	31	167	136	77.8	33.3	M22	7/8	UC215-45 215-46 215-47 215-48	CP215	7.48
UCCP215C		75													UC215		
UCCP216C-50 UCCP216C	3-1/8	80	88.9	292	232	78	25	31	188	146	82.6	33.3	M22	7/8	UC216-50 UC216	CP216	9.48
UCCP217C-52 UCCP217C	3-1/4	85	95.2	310	247	83	25	31	199	150	85.7	34.1	M22	7/8	UC217-52 UC217	CP217	10.97
UCCP218C-56 UCCP218C	3-1/2	90	101.6	327	262	88	27	33	211	164	96	39.7	M24	1	UC218-56 UC218	CP218	14.03

CHANGZHOU KADI INTERNATIONAL

Note: All mentioned names, Trademarks and Part No. are the property of their respective manufacturers, all consumables are not original, are manufactured and sold by KADI CO., reference to the original manufacturer is for convenience only.

PILLOW BLOCKS



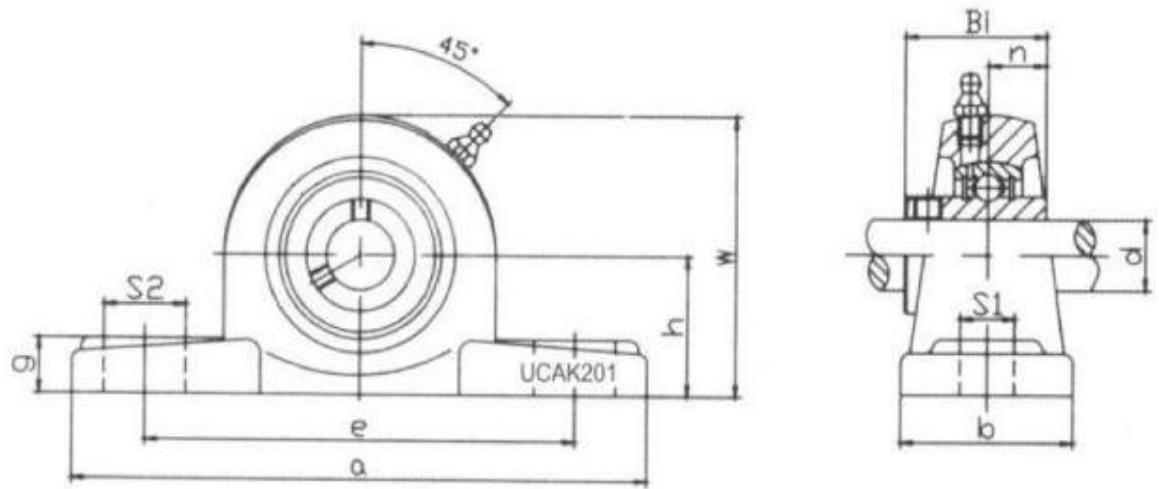
UCLP200 SERIES

Bearing Unit No.	Shaft Dia d		Dimensions (mm)											Bolt Used		Bearing No.	Housing No.	Housing wt (kg)
	(in)	(mm)	h	a	e	b	s1	s2	g	w	Bi	n	(in)	(mm)				
UCLP201-8 202-9 202-10 203-11	1/2 9/16 5/8 11/16		27	121	89	29	12	16	13	56	26	10	3/8	M10	UCWP201-8 202-9 202-10 203-11	LP203	0.38	
UCLP201 202 203		12 15 17													UCWP201 UCWP202 UCWP203			
UCLP204-12 UCLP204	3/4	20	31.8	133	98	32	12	19	13	65	31	12.7	3/8	M10	UC204-12 UC204	LP204	0.5	
UCLP205-13 205-14 205-15 205-16	13/16 7/8 15/16 1		33.3	140	105	38	12	19	16	68	34	14.3	3/8	M10	UC205-13 205-14 205-15 205-16	LP205	0.65	
UCLP205		25													UC205			
UCLP206-17 206-18 206-19 206-20	1-1/16 1-1/8 1-3/16 1-1/4		39.7	165	124	41	15	22	17	81	38.1	15.9	7/16	M12	UC206-17 206-18 206-19 206-20	LP206	0.85	
UCLP206		30													UC206			
UCLP207-20 207-21 207-22 207-23	1-1/4 1-5/16 1-3/8 1-7/16		46	178	137	48	15	22	19	94	42.9	17.5	7/16	M12	UC207-20 207-21 207-22 207-23	LP207	1.25	
UCLP207		35													UC207			
UCLP208-24 208-25	1-1/2 1-9/16		49.2	184	143	51	15	22	21	100	49.2	19	7/16	M12	UC208-24 208-25	LP208	1.45	
UCLP208		40													UC208			
UCLP209-26 209-27 209-28	1-5/8 1-11/16 1-3/4		52.4	197	152	54	15	25	21	106	49.2	19	7/16	M12	UC209-26 209-27 209-28	LP209	1.8	
UCLP209		45													UC209			
UCLP210-29 210-30 210-31 210-32	1-13/16 1-7/8 1-15/16 2		55.6	213	165	57	15	25	22	113	51.6	19	7/16	M12	UC210-29 210-30 210-31 210-32	LP210	1.95	
UCLP210		50													UC210			
UCLP211-32 211-33 211-34 211-35	2 2-1/16 2-1/8 2-3/16		61.9	235	181	64	19	29	25	125	55.6	22.2	5/8	M16	UC211-32 211-33 211-34 211-35	LP211	2.85	
UCLP211		55													UC211			
UCLP212-36 212-37 212-38 212-39	2-1/4 2-5/16 2-3/8 2-7/16		68.3	248	194	70	19	29	29	138	65.1	25.4	5/8	M16	UC212-36 212-37 212-38 212-39	LP212	3.5	
UCLP212		60													UC212			
UCLP213-40 213-41	2-1/2 2-9/16		68.3	248	194	70	19	29	29	138	65.1	25.4	5/8	M16	UC213-40 213-41	LP213	3.6	
UCLP213		65													UC213			

CHANGZHOU KADI INTERNATIONAL

Note: All mentioned names, Trademarks and Part No. are the property of their respective manufacturers, all consumables are not original, are manufactured and sold by KADI CO., reference to the original manufacturer is for convenience only.

PILLOW BLOCKS

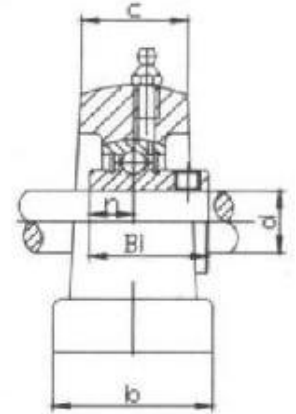
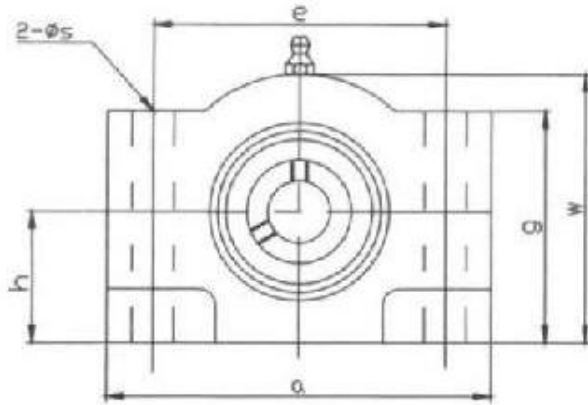


UCAK200 SERIES

Bearing Unit No.	Shaft Dia		Dimensions (mm)											Bolt Used		Bearing No.	Housing No.	Housing wt (kg)
	(in)	(mm)	h	a	e	b	s2	s1	g	w	Bi	n	(in)	(mm)				
UCAK201-8 202-10 UCAK201 UCAK202 UCAK203	1/2 5/8	12 15 17	27	121	89	35	16	12	13	54	37.3	13.9	3/8	M10	UCW201-8 202-10 UCW201 202 203	AK203	0.62	
UCAK204-12 UCAK204	3/4	20	31.8	133	98	41	16	12	14.3	64	43.7	17.1	3/8	M10	UC204-12 UC204	AK204	0.6	
UCAK205-13 205-14 205-15 205-16 UCAK205	13/16 7/8 15/16 1	25	33.3	140	105	45	16	12	16	68	44.4	17.5	3/8	M10	UC205-13 205-14 205-15 205-16 UC205	AK205	0.72	
UCAK206-17 206-18 206-19 206-20 UCAK206	1-1/16 1-1/8 1-3/16 1-1/4	30	39.7	160	121	48	19	15	17	80	48.4	18.3	7/16	M12	UC206-17 206-18 206-19 206-20 UC206	AK206	0.96	
UCAK207-20 207-21 207-22 207-23 UCAK207	1-1/4 1-5/16 1-3/8 1-7/16	35	46	167	127	48	19	15	19	92	51.1	18.8	7/16	M12	UC207-20 207-21 207-22 207-23 UC207	AK207	1.13	
UCAK208-24 208-25 UCAK208	1-1/2 1-9/16	40	49.2	181	140	54	19	15	19	100	56.3	21.4	7/16	M12	UC208-24 208-25 UC208	AK208	1.43	
UCAK209-26 209-27 209-28 UCAK209	1-5/8 1-11/16 1-3/4	45	52.4	190	146	54	19	15	21	106	56.3	21.4	7/16	M12	UC209-26 209-27 209-28 UC209	AK209	1.65	
UCAK210-29 210-30 210-31 210-32 UCAK210	1-13/16 1-7/8 1-15/16 2	50	55.6	203	159	57	19	15	22	113	62.7	24.6	7/16	M12	UC210-29 210-30 210-31 210-32 UC210	AK210	1.9	
UCAK211-32 211-33 211-34 211-35 UCAK211	2 2-1/16 2-1/8 2-3/16	55	61.9	232	181	60	24	20	25	125	71.4	27.8	5/8	M16	UC211-32 211-33 211-34 211-35 UC211	AK211	2.55	
UCAK212-36 212-37 212-38 212-39 UCAK212	2-1/4 2-5/16 2-3/8 2-7/16	60	68.3	241	190	64	24	20	29	138	77.8	31	5/8	M16	UC212-36 212-37 212-38 212-39 UC212	AK212	3.1	
UCAK213-40 213-41 UCAK213	2-1/2 2-9/16	65	68.3	248	194	70	29	22	27	141	85.7	34.1	3/4	M20	UC213-40 213-41 UC213	AK213	4.56	
UCAK214-42 214-43 214-44 UCAK214	2-5/8 2-11/16 2-3/4	70	82.6	294	232	72	32	22	29	160	85.7	34.1	3/4	M20	UC214-42 214-43 214-44 UC214	AK214	5.13	
UCAK215-45 215-46 215-47 215-48 UCAK215	2-13/16 2-7/8 2-15/16 3	75	84.1	304	241	74	32	22	32	165	92.1	37.3	3/4	M20	UC215-45 215-46 215-47 215-48 UC215	AK215	6.65	

CHANGZHOU KADI INTERNATIONAL
 Note: All mentioned names, Trademarks and Part No. are the property of their respective manufacturers, all consumables are not original, are manufactured and sold by KADI CO., reference to the original manufacturer is for convenience only.

PILLOW BLOCKS



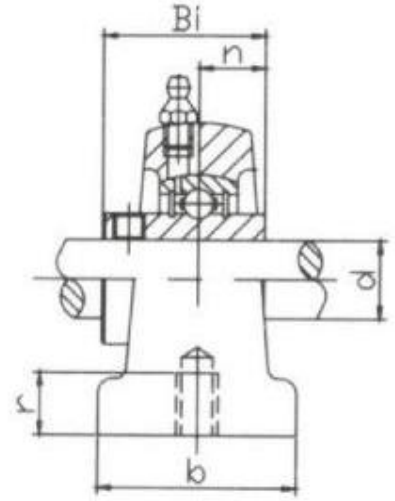
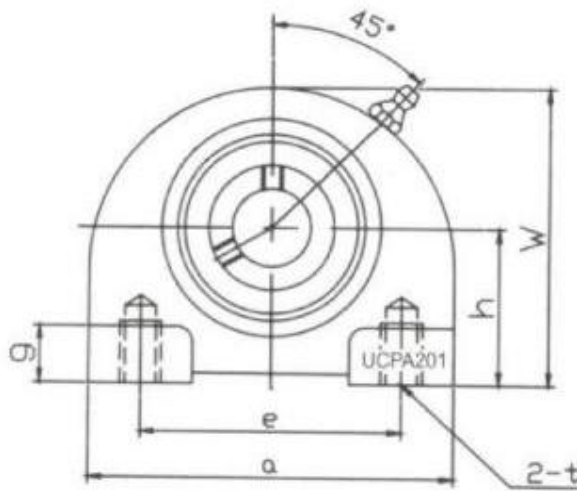
UCSB200 SERIES

Bearing Unit No.	Shaft Dia d		Dimensions (mm)										Bolt Used		Bearing No.	Housing No.	Housing wt (kg)
	(in)	(mm)	h	a	e	b	c	g	w	s	Bi	n	(mm)	(in)			
UCSB205-13 205-14 205-15 205-16 UCSB205	13/16 7/8 15/16 1	25	31.7	92	70	38	25	58	66.7	11	34.1	14.3	M10	3/8	UC205-13 205-14 205-15 205-16 UC205	SB205	0.65
UCSB206-17 206-18 206-19 206-20 UCSB206	1-1/16 1-1/8 1-3/16 1-1/4	30	38.1	108	83	44	30	68	78.10	11	38.1	15.9	M10	3/8	UC206-17 206-18 206-19 206-20 UC206	SB206	0.72
UCSB207-20 207-21 207-22 207-23 UCSB207	1-1/4 1-5/16 1-3/8 1-7/16	35	44.4	133	102	48	33	76	94.4	14	42.9	17.5	M12	7/16	UC207-20 207-21 207-22 207-23 UC207	SB207	0.75
UCSB208-24 208-25 UCSB208	1-1/2 1-9/16	40	47.6	140	108	54	39	81	99.63	14	49.2	19.0	M12	7/16	UC208-24 208-25 UC208	SB208	1.75
UCSB209-26 209-27 209-28 UCSB209	1-5/8 1-11/16 1-3/4	45	50.8	146	111	54	39	86	104.8	14	49.2	19.0	M12	7/16	UC209-26 209-27 209-28 UC209	SB209	2.20
UCSB210-29 210-30 210-31 210-32 UCSB210	1-13/16 1-7/8 1-15/16 2	50	54	152	118	60	41	90	109.97	14	51.6	19.0	M12	7/16	UC210-29 210-30 210-31 210-32 UC210	SB210	2.40
UCSB211-32 211-33 211-34 211-35 UCSB211	2 2-1/16 2-1/8 2-3/16	55	58.7	172	137	60	41	98	121.74	18	55.6	22.2	M16	5/8	UC211-32 211-33 211-34 211-35 UC211	SB211	3.30
UCSB212-36 212-37 212-38 212-39 UCSB212	2-1/4 2-5/16 2-3/8 2-7/16	60	69.9	197	162	65	48	111	146	17	65.1	25.4	M16	5/8	UC212-36 212-37 212-38 212-39 UC212	SB212	5.00
UCSB213-40 213-41 UCSB213	2-1/2 2-9/16	65	69.9	197	162	65	48	111	146	17	65.1	25.4	M16	5/8	UC213-40 213-41 UC213	SB213	4.50
UCSB214-42 214-43 214-44 UCSB214	2-5/8 2-11/16 2-3/4	70	76.2	206	172	73	60	117	155	17	74.6	30.2	M16	5/8	UC214-42 214-43 214-44 UC214	SB214	6.00
UCSB215-45 215-46 215-47 215-48 UCSB215	2-13/16 2-7/8 2-15/16 3	75	76.2	206	172	73	60	117	155	17	77.8	33.3	M16	5/8	UC215-45 215-46 215-47 215-48 UC215	SB215	5.74
UCSB216-50 UCSB216	3-1/8	80	82.6	238	191	86	64	127	168	21	82.6	33.3	M20	3/4	UC216-50 UC216	SB216	7.76
UCSB217-52 UCSB217	3-1/4	85	88.9	254	203	89	64	136	181	21	85.7	34.1	M20	3/4	UC217-52 UC217	SB217	9.64
UCSB218-56 UCSB218	3-1/2	90	98.4	273	222	92	67	152	200	25	96	39.7	M24		UC218-56 UC218	SB218	11.83
UCSBX20-63 X20-64 UCSBX20	3-15/16 4	100	108	298	241	108	70	178	221	26	117.5	49.2	M24		UCX20-63 X20-64 UCX20	SBX20	17.4

CHANGZHOU KADI INTERNATIONAL

Note: All mentioned names, Trademarks and Part No. are the property of their respective manufacturers, all consumables are not original, are manufactured and sold by KADI CO., reference to the original manufacturer is for convenience only.

PILLOW BLOCKS



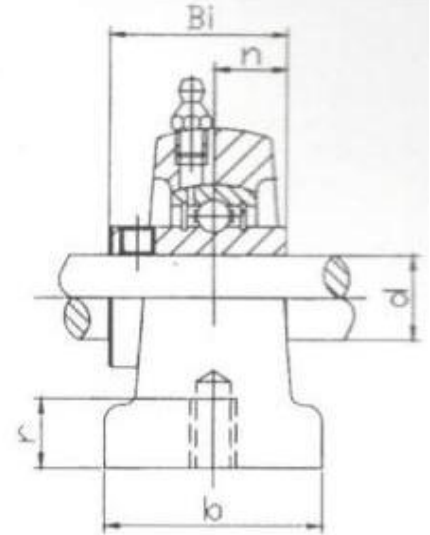
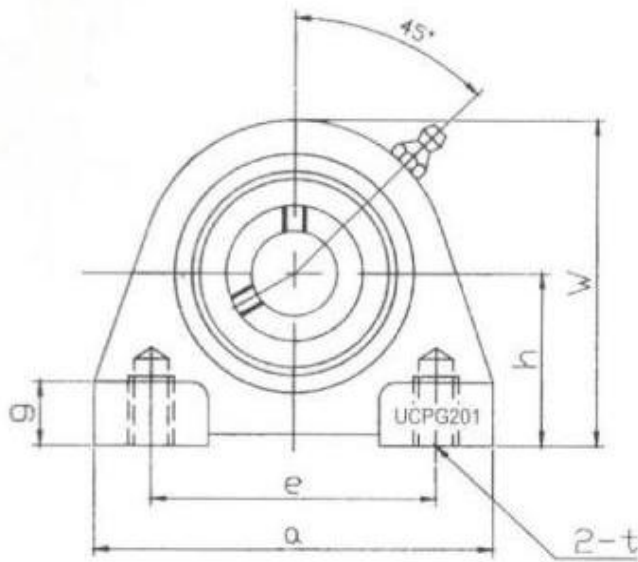
UCPA200 SERIES

Bearing Unit No.	Shaft Dia		Dimensions (mm)										Bolt Used (mm)	Bearing No.	Housing No.	Housing wt (kg)
	(in)	(mm)	h	a	e	b	t	r	g	w	Bi	n				
UCPA201-8 202-9 202-10 203-11 204-12	1/2 9/16 5/8 11/16 3/4		30.2	76	52	38	M10	15	8	62	31	12.7	M10X1.5	UC201-8 202-9 202-10 203-11 204-12	PA204	0.42
UCPA201 202 203 204		12 15 17 20												UC201 202 203 204		
UCPA205-13 205-14 205-15 205-16	13/16 7/8 15/16 1		36.5	84	56	38	M10	15	10	72	34.1	14.3	M10X1.5	UC205-13 205-14 205-15 205-16	PA205	0.61
UCPA205		25												UC205		
UCPA206-17 206-18 206-19 206-20	1-1/16 1-1/8 1-3/16 1-1/4		42.9	94	66	48	M14	18	10	84	38.1	15.9	M14X2	UC206-17 206-18 206-19 206-20	PA206	0.93
UCPA206		30												UC206		
UCPA207-20 207-21 207-22 207-23	1-1/4 1-5/16 1-3/8 1-7/16		47.6	110	80	48	M14	20	12	95	42.9	17.5	M14X2	UC207-20 207-21 207-22 207-23	PA207	1.21
UCPA207		35												UC207		
UCPA208-24 208-25	1-1/2 1-9/16		49.2	116	84	54	M14	20	12	100	49.2	19.0	M14X2	UC208-24 208-25	PA208	1.47
UCPA208		40												UC208		
UCPA209-26 209-27 209-28	1-5/8 1-11/16 1-3/4		54.2	120	90	54	M14	25	12	108	49.2	19.0	M14X2	UC209-26 209-27 209-28	PA209	1.5
UCPA209		45												UC209		
UCPA210-29 210-30 210-31 210-32	1-13/16 1-7/8 1-15/16 2		57.2	130	94	60	M16	25	14	116	51.6	19.0	M16X2	UC210-29 210-30 210-31 210-32	PA210	2.0
UCPA210		50												UC210		
UCPA211-32 211-33 211-34 211-35	2 2-1/16 2-1/8 2-3/16		63.5	140	104	66	M16	25	14	125	55.6	22.2	M16X2	UC211-32 211-33 211-34 211-35	PA211	2.5
UCPA211		55												UC211		
UCPA212-36 212-37 212-38 212-39	2-1/4 2-5/16 2-3/8 2-7/16		69.9	150	114	68	M16	25	15	138	65.1	25.4	M16X2	UC212-36 212-37 212-38 212-39	PA212	2.7
UCPA212		60												UC212		
UCPA213-40 213-41	2-1/2 2-9/16		76.2	160	124	70	M16	25	15	150	65.1	25.4	M16X2	UC213-40 213-41	PA213	4.37
UCPA213		65												UC213		

CHANGZHOU KADI INTERNATIONAL

Note: All mentioned names, Trademarks and Part No. are the property of their respective manufacturers, all consumables are not original, are manufactured and sold by KADI CO., reference to the original manufacturer is for convenience only.

PILLOW BLOCKS



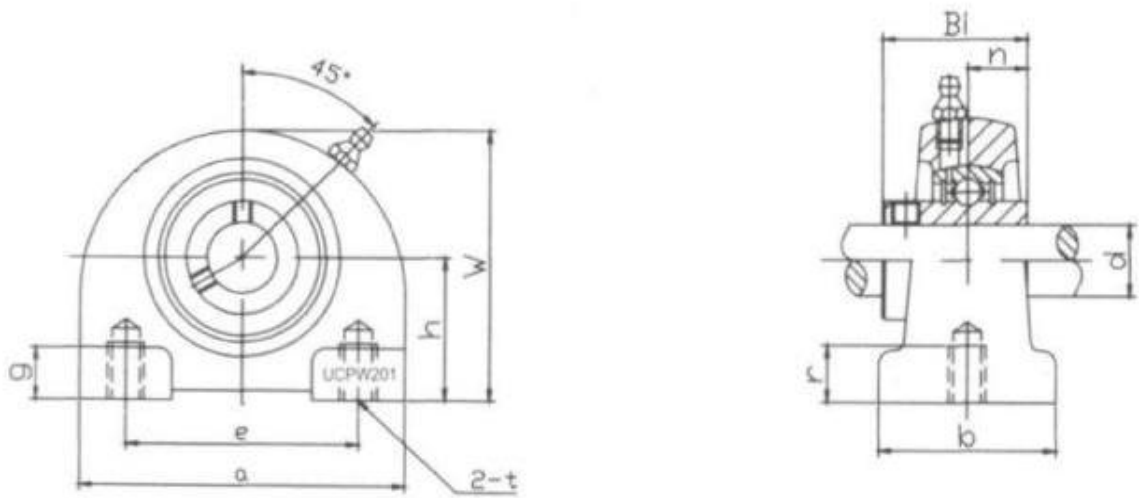
UCPG200 SERIES

Bearing Unit No.	Shaft Dia d		Dimensions (mm)										Bolt Used (mm)	Bearing No.	Housing No.	Housing wt (kg)
	(in)	(mm)	h	a	e	b	t	r	g	w	Bi	n				
UCPG201-8 202-9 202-10 203-11 UCPG201 202 203	1/2 9/16 5/8 11/16		30.2	55	38	30	M6	12	14	57	26	10	M6X1	UCWG201-8 202-9 202-10 203-11 UCW201 202 203	PG203	0.3
UCPG201-8 202-9 202-10 203-11 204-12 UCPG201 202 203 204	1/2 9/16 5/8 11/16 3/4	12 15 17	33.3	70	49	38	M8	15	14	64	31	12.7	M8X1.25	UC201-8 202-9 202-10 203-11 204-12 UC201 202 203 204	PG204	0.5
UCPG205-13 205-14 205-15 205-16 UCPG205	13/16 7/8 15/16 1 1	25	36.5	75	50	38	M10	15	15	70	34.1	14.3	M10X1.5	UC205-13 205-14 205-15 205-16 UC205	PG205	0.5
UCPG206-17 206-18 206-19 206-20 UCPG206	1-1/16 1-1/8 1-3/16 1-1/4	30	42.9	85	60	48	M10	18	17	83	38.1	15.9	M10X1.5	UC206-17 206-18 206-19 206-20 UC206	PG206	0.75
UCPG207-20 207-21 207-22 207-23 UCPG207	1-1/4 1-5/16 1-3/8 1-7/16	35	47.6	100	68	48	M12	18	17	93	42.9	17.5	M12X1.75	UC207-20 207-21 207-22 207-23 UC207	PG207	1.3
UCPG208-24 208-25 UCPG208	1-1/2 1-9/16	40	49.2	110	78	54	M12	18	20	98	49.2	19.0	M12X1.75	UC208-24 208-25 UC208	PG208	1.2
UCPG209-26 209-27 209-28 UCPG209	1-5/8 1-11/16 1-3/4	45	53.9	120	85	54	M12	22	20	106	49.2	19.0	M12X1.75	UC209-26 209-27 209-28 UC209	PG209	1.6
UCPG210-29 210-30 210-31 210-32 UCPG210	1-13/16 1-7/8 1-15/16 2	50	57.2	135	95	60	M16	25	21	114	51.6	19.0	M16X2	UC210-29 210-30 210-31 210-32 UC210	PG210	2.2
UCPG211-32 211-33 211-34 211-35 UCPG211	2 2-1/16 2-1/8 2-3/16	55	63.5	140	100	60	M16	25	25	126	55.6	22.2	M16X2	UC211-32 211-33 211-34 211-35 UC211	PG211	2.7
UCPG212-36 212-37 212-38 212-39 UCPG212	2-1/4 2-5/16 2-3/8 2-7/16	60	69.8	150	105	70	M16	25	25	138	65.1	25.4	M16X2	UC212-36 212-37 212-38 212-39 UC212	PG212	3.15

CHANGZHOU KADI INTERNATIONAL

Note: All mentioned names, Trademarks and Part No. are the property of their respective manufacturers, all consumables are not original, are manufactured and sold by KADI CO., reference to the original manufacturer is for convenience only.

PILLOW BLOCKS



UCPW200 SERIES
UCTB200 SERIES

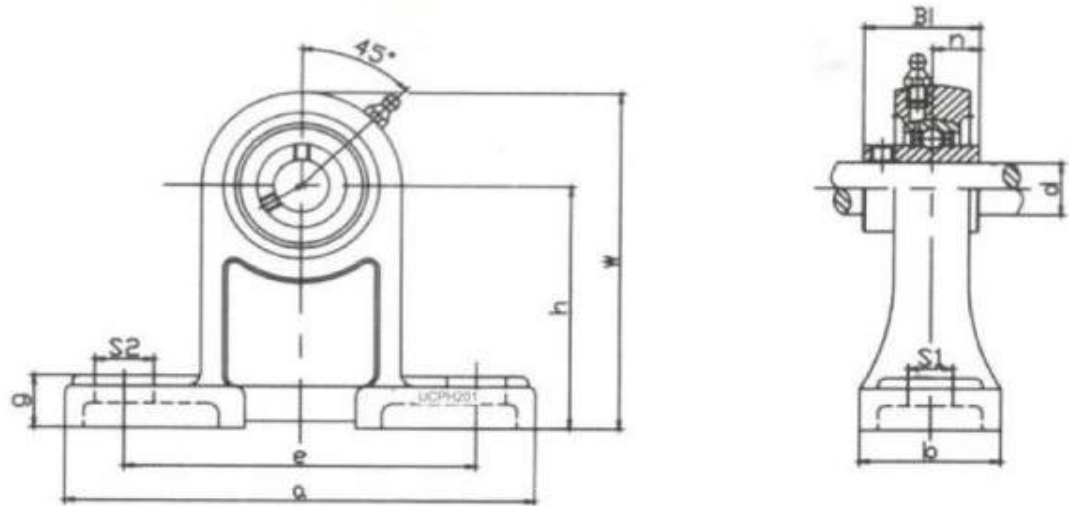
Bearing Unit No.	Shaft Dia		Dimensions (mm)										Bolt Used (mm)	Bearing No.	Housing No.	Housing wt (kg)																											
	(in)	(mm)	h	a	e	b	t	r	g	w	Bi	n																															
UCPW201-8 202-9 202-10 203-11 204-12	1/2 9/16 5/8 11/16 3/4	12 15 17 20	33.3	65	50.8	32	M8	13	13	65	31	12.7	M8X1.25	UC201-8 202-9 202-10 203-11 204-12	PW204	0.38																											
UCPW201 202 203 204	UC201 202 203 204																																										
UCPW205-13 205-14 205-15 205-16	13/16 7/8 15/16 1													36.5			70	50.8	36	M10	13	13	70	34	14.3	M10X1.5	UC205-13 205-14 205-15 205-16	PW205	0.40														
UCPW205 UCPW206-17 206-18 206-19 206-20	1-1/16 1-1/8 1-3/16 1-1/4													25			42.9	98	76.2	38	M10	16	15	82	38.1	15.9	M10X1.5	UC205 UC206-17 206-18 206-19 206-20	PW206	0.85													
UCPW206 UCPW207-20 207-21 207-22 207-23	1-1/4 1-5/16 1-3/8 1-7/16																											47.6			103	82.6	45	M10	19	15	93	42.9	17.5	M10X1.5	UC206 UC207-20 207-21 207-22 207-23	PW207	0.90
UCPW207 UCPW208-24 208-25	1-1/2 1-9/16	40	49.2	116	88.9	47	M12	19	15	99	49.2	19.0	M12X1.75		UC207 UC208-24 208-25	PW208												1.25															
UCPW208 UCPW209-26 209-27 209-28	1-5/8 1-11/16 1-3/4														53.9																120	95.3	48	M12	19	18	107	49.2	19.0	M12X1.75	UC208 UC209-26 209-27 209-28	PW209	1.52
UCPW209 UCPW210-29 210-30 210-31 210-32	1-13/16 1-7/8 1-15/16 2														50																57.2	135	101.6	54	M16	22	18	115	51.6	19.0	M16X2	UC209 UC210-29 210-30 210-31 210-32	PW210
UCPW210																																											

Bearing Unit No.	Shaft Dia		Dimensions (mm)										Bolt Used (in)	Bearing No.	Housing No.	Housing wt (kg)																											
	(in)	(mm)	h	a	e	b	t	r	g	w	Bi	n																															
UCTB201-8 202-9 202-10 203-11 204-12	1/2 9/16 5/8 11/16 3/4	12 15 17 20	33.3	73	50.8	38	3/8	13	11	65	31	12.7	3/8-16	UC201-8 202-9 202-10 203-11 204-12	TB204	0.42																											
UCTB201 202 203 204	UC201 202 203 204																																										
UCTB205-13 205-14 205-15 205-16	13/16 7/8 15/16 1													36.5			76	50.8	38	3/8	13	12	71	34.1	14.3	3/8-16	UC205-13 205-14 205-15 205-16	TB205	0.50														
UCTB205 UCTB206-17 206-18 206-19 206-20	1-1/16 1-1/8 1-3/16 1-1/4													25			42.9	102	76.2	38	7/16	16	12	86	38.1	15.9	7/16-14	UC205 UC206-17 206-18 206-19 206-20	TB206	0.97													
UCTB206 UCTB207-20 207-21 207-22 207-23	1-1/4 1-5/16 1-3/8 1-7/16																											47.6			108	82.5	48	1/2	20	13	95	42.9	17.5	1/2-13	UC206 UC207-20 207-21 207-22 207-23	TB207	1.33
UCTB207 UCTB208-24 208-25	1-1/2 1-9/16	40	49.2	117	88.9	48	1/2	20	13	100	49.2	19.0	1/2-13		UC207 UC208-24 208-25	TB208												1.62															
UCTB208 UCTB209-26 209-27 209-28	1-5/8 1-11/16 1-3/4														54																127	95.3	51	1/2	20	14	108	49.2	19.0	1/2-13	UC208 UC209-26 209-27 209-28	TB209	1.80
UCTB209 UCTB210-29 210-30 210-31 210-32	1-13/16 1-7/8 1-15/16 2														50																57.2	140	101.6	51	5/8	23	14	118	51.6	19.0	5/8-11	UC209 UC210-29 210-30 210-31 210-32	TB210
UCTB210																																											

CHANGZHOU KADI INTERNATIONAL

Note: All mentioned names, Trademarks and Part No. are the property of their respective manufacturers, all consumables are not original, are manufactured and sold by KADI CO., reference to the original manufacturer is for convenience only.

PILLOW BLOCKS



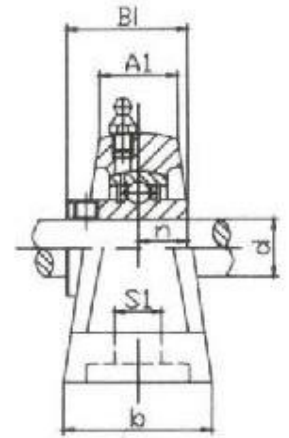
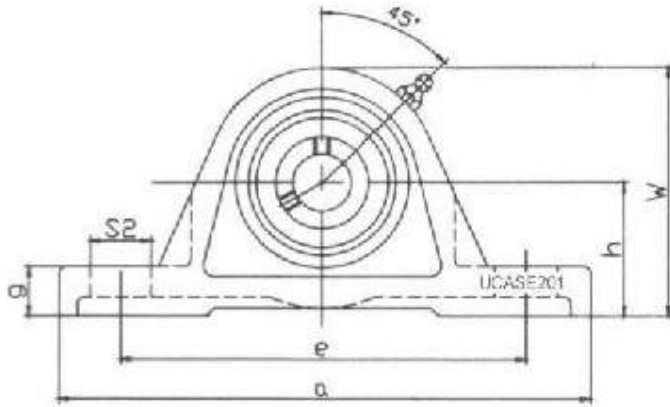
UCPH200 SERIES

Bearing Unit No.	Shaft Dia d		Dimensions (mm)										Bolt Used		Bearing No.	Housing No.	Housing wt (kg)
	(in)	(mm)	h	a	e	b	S2	S1	g	w	Bi	n	(mm)	(in)			
UCPH201-8 202-9 202-10 203-11 204-12	1/2 9/16 5/8 11/16 3/4		70	127	95	40	19	13	15	101	31	12.7	M10	3/8	UC201-8 202-9 202-10 203-11 204-12	PH204	0.75
UCPH201 202 203 204		12 15 17 20													UC201 202 203 204		
UCPH205-13 205-14 205-15 205-16	13/16 7/8 15/16 1		80	140	105	50	19	13	16	114	34	14.3	M10	3/8	UC205-13 205-14 205-15 205-16	PH205	1.0
UCPH205		25													UC205		
UCPH206-17 206-18 206-19 206-20	1-1/16 1-1/8 1-3/16 1-1/4		90	165	121	50	21	17	18	130	38.1	15.9	M14	1/2	UC206-17 206-18 206-19 206-20	PH206	1.42
UCPH206		30													UC206		
UCPH207-20 207-21 207-22 207-23	1-1/4 1-5/16 1-3/8 1-7/16		95	167	127	60	21	17	19	140	42.9	17.5	M14	1/2	UC207-20 207-21 207-22 207-23	PH207	1.55
UCPH207		35													UC207		
UCPH208-24 208-25	1-1/2 1-9/16		100	184	137	70	25	17	19	149	49.2	19.0	M14	1/2	UC208-24 208-25	PH208	2.15
UCPH208		40													UC208		
UCPH209-26 209-27 209-28	1-5/8 1-11/16 1-3/4		105	190	146	70	25	17	20	157	49.2	19.0	M14	1/2	UC209-26 209-27 209-28	PH209	2.31
UCPH209		45													UC209		
UCPH210-29 210-30 210-31 210-32	1-13/16 1-7/8 1-15/16 2		110	206	159	70	25	20	22	165	51.6	19.0	M16	5/8	UC210-29 210-30 210-31 210-32	PH210	2.80
UCPH210		50													UC210		
UCPH211-32 211-33 211-34 211-35	2 2-1/16 2-1/8 2-3/16		120	219	171	75	22	19	22	181	55.6	22.2	M16	5/8	UC211-32 211-33 211-34 211-35	PH211	4.4
UCPH211		55													UC211		
UCPH212-36 212-37 212-38 212-39	2-1/4 2-5/16 2-3/8 2-7/16		130	235	184	85	23	19	25	197	65.1	25.4	M16	5/8	UC212-36 212-37 212-38 212-39	PH212	4.8
UCPH212		60													UC212		
UCPH213-40 213-41	2-1/2 2-9/16		140	262	203	95	28	23	27	212	65.1	25.4	M20	3/4	UC213-40 213-41	PH213	5.6
UCPH213		65													UH213		
UCPH214-42 214-43 214-44	2-5/8 2-11/16 2-3/4		150	288	210	105	28	23	28	225	74.6	30.2	M20	3/4	UC214-42 214-43 214-44	PH214	6.2
UCPH214		70													UC214		
UCPH215-45 215-46 215-47 215-48	2-13/16 2-7/8 2-15/16 3		160	275	217	115	28	23	29	238	77.8	33.3	M20	3/4	UC215-45 215-46 215-47 215-48	PH215	7.4
UCPH215		75													UC215		
UCPH216-50 UCPH216	3-1/8	80	170	290	232	125	28	23	30	253	82.6	33.3	M20	3/4	UC216-50 UC216	PH216	8.0

CHANGZHOU KADI INTERNATIONAL

Note: All mentioned names, Trademarks and Part No. are the property of their respective manufacturers, all consumables are not original, are manufactured and sold by KADI CO., reference to the original manufacturer is for convenience only.

PILLOW BLOCKS



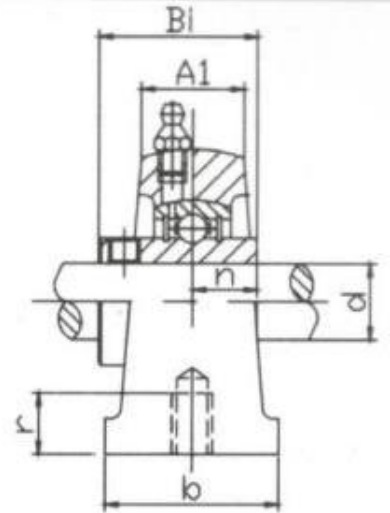
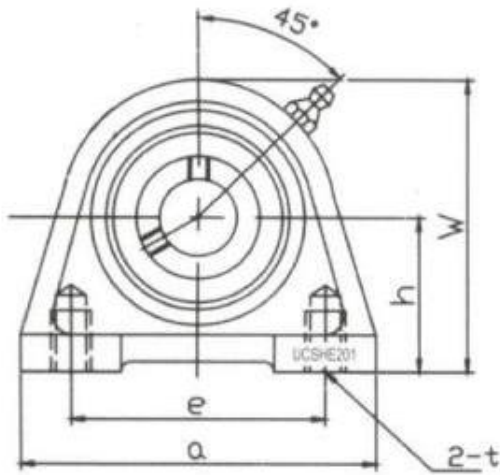
UCASE200 SERIES

Bearing Unit No.	Shaft Dia d (mm)	Dimensions (mm)											Bolt Used (mm)	Bearing No.	Housing No.	Housing weight (kg)	
		h	a	e	b	A1	S1	S2	g	w	BI	n					
UCASE201	12													M10	UC201		0.37
202	15	30.2	125	95	30	18	11	19	10	57	31	12.7	UC202		ASE203		
203	17												UC203				
UCASE204	20	33.3	130	97	32	19	11	19	14.5	64	31	12.7	M10	UC204	ASE204	0.39	
UCASE205	25	36.5	130	103	36	21	11	19	14.5	70	34	14.3	M10	UC205	ASE205	0.45	
UCASE206	30	42.9	158	118	40	25	14	22	17	82	38.1	15.9	M12	UC206	ASE206	0.73	
UCASE207	35	47.6	163	126	45	27	14	21	19	93	42.9	17.5	M12	UC207	ASE207	1.05	
UCASE208	40	49.2	179	138	48	30	14	26	19	99	49.2	19	M12	UC208	ASE208	1.09	
UCASE209	45	54	192	150	48	32	14	29	21.5	107	49.2	19	M12	UC209	ASE209	1.4	
UCASE210	50	57.2	200	158	54	34	18	23	21.5	115	51.6	19	M16	UC210	ASE210	1.7	
UCASE211	55	63.5	222	176	60	35	18	30	22.5	124.5	55.6	22.2	M16	UC211	ASE211	1.98	
UCASE212	60	69.9	240	190	60	42	18	28	25	140	65.1	25.4	M16	UC212	ASE212	2.95	
UCASE214	70	79.4	260	203	65	44	22	28	27.5	156	74.6	30.2	M20	UC214	ASE214	3.7	
UCASE215	75	82.5	265	210	66	48	22	30	27.5	164	77.8	33.3	M20	UC215	ASE215	5	
UCASE216	80	89	290	232	78	55	26	34	30	175	82.6	33.3	M24	UC216	ASE216	5.7	
UCASE218	90	101.6	330	268	85	55	27	35	35	200	96	39.7	M24	UC218	ASE218	8.4	

CHANGZHOU KADI INTERNATIONAL

Note: All mentioned names, Trademarks and Part No. are the property of their respective manufacturers, all consumables are not original, are manufactured and sold by KADI CO., reference to the original manufacturer is for convenience only.

PILLOW BLOCKS



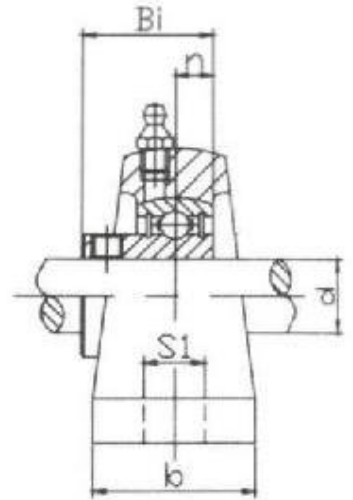
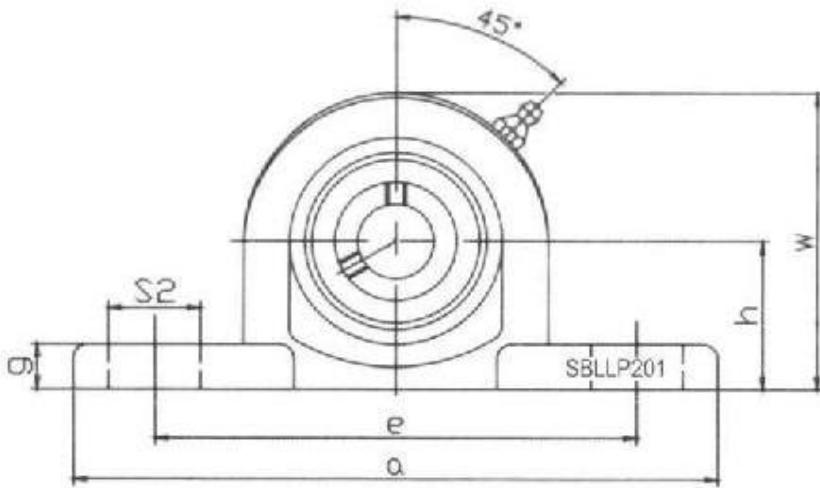
UCSHE200 SERIES

Bearing Unit No.	Shaft Dia d (mm)	Dimensions (mm)										Bolt Used (mm)	Bearing No.	Housing No.	Housing weight (kg)	
		h	a	e	b	A1	t	r	w	Bi	n					
UCSHE201	12													UC201		
202	15	30.2	63	47	30	18	M8	10	57	31	12.7	M8	202	SHE203	0.32	
203	17													203		
UCSHE204	20	33.3	65	50.8	32	19	M8	10	64	31	12.7	M8	UC204	SHE204	0.35	
UCSHE205	25	36.5	70	50.8	36	21	M10	12.5	70	34	14.3	M10	UC205	SHE205	0.41	
UCSHE206	30	42.9	98	76.2	40	25	M10	12.5	82	38.1	15.9	M10	UC206	SHE206	0.74	
UCSHE207	35	47.6	103	82.6	45	27	M10	12.5	93	42.9	17.5	M10	UC207	SHE207	0.96	
UCSHE208	40	49.2	116	88.9	48	30	M12	15	99	49.2	19	M12	UC208	SHE208	1.22	
UCSHE209	45	54	120	95.3	48	32	M12	15	107	49.2	19	M12	UC209	SHE209	1.45	
UCSHE210	50	57.2	135	101.6	54	34	M16	20	115	51.6	19	M16	UC210	SHE210	2.02	
UCSHE211	55	64	150	118	60	35	M16	20	125	55.6	22.2	M16	UC211	SHE211	2.1	
UCSHE212	60	69.9	150	118	60	42	M16	20	140	65.1	25.4	M16	UC212	SHE212	2.7	

CHANGZHOU KADI INTERNATIONAL

Note: All mentioned names, Trademarks and Part No. are the property of their respective manufacturers, all consumables are not original, are manufactured and sold by KADI CO., reference to the original manufacturer is for convenience only.

PILLOW BLOCKS



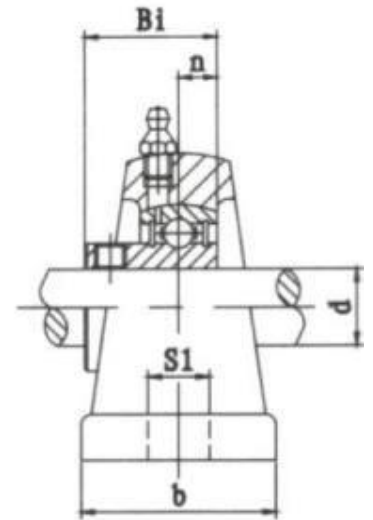
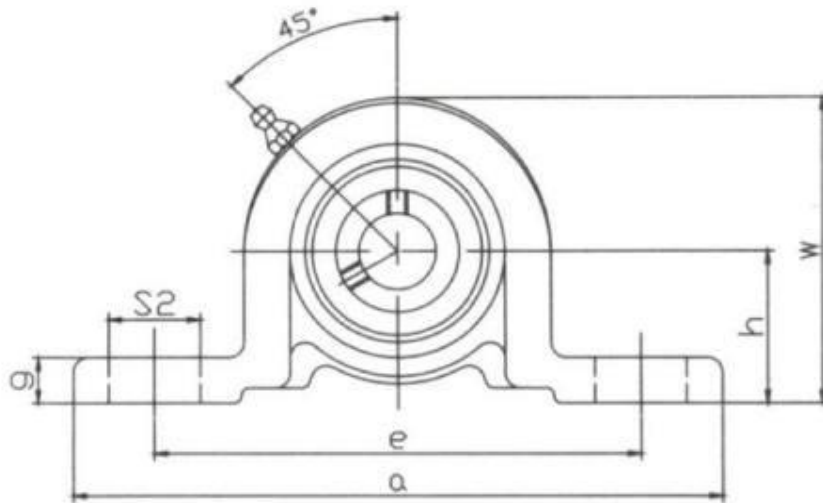
BLLP200 SERIES

Bearing Unit No.	Shaft Dia d		Dimensions (mm)										Bolt Used		Bearing No.	Housing No.	Housing wt (kg)		
	(in)	(mm)	h	a	e	b	s1	s2	g	w	Bi	n	(in)	(mm)					
SBLLP201-8	1/2														3/8	M10	SB201-8	LLP203	0.29
202-9	9/16																		
202-10	5/8																		
203-11	11/16		30.2	114	87	25	12	16	12	57	22	6							
SBLLP201		12															SB201		
202		15															202		
203		17															203		
SBLLP204-12	3/4													3/8	M10	SB204-12	LLP204	0.38	
SBLLP204		20	33.3	125	97	27	12	16	13	64	24.7	7							
SBLLP205-14	7/8													3/8	M10	SB205-14	LLP205	0.45	
205-15	15/16																		
205-16	1		36.5	130	100	29	12	16	13	70	27	7.5							
SBLLP205		25															SB205		
SBLLP206-17	1-1/16													7/16	M12	SB206-17	LLP206	0.47	
206-18	1-1/8																		
206-19	1-3/16																		
206-20	1-1/4		42.9	156	120	33	14	21	15	83	30.3	8							
SBLLP206		30															SB206		
SBLLP207-20	1-1/4													7/16	M12	SB207-20	LLP207	0.6	
207-21	1-5/16																		
207-22	1-3/8																		
207-23	1-7/16		47.6	165	127	35	14	21	16	93	32.9	8.5							
SBLLP207		35															SB207		

CHANGZHOU KADI INTERNATIONAL

Note: All mentioned names, Trademarks and Part No. are the property of their respective manufacturers, all consumables are not original, are manufactured and sold by KADI CO., reference to the original manufacturer is for convenience only.

PILLOW BLOCKS



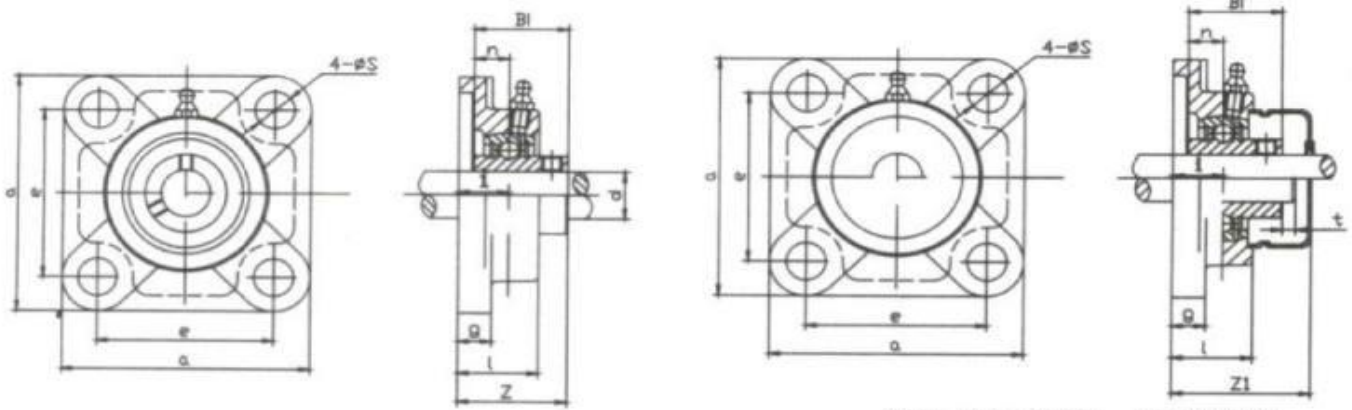
SBPSD200 SERIES

Bearing Unit No.	Shaft Dia d		Dimensions (mm)										Bolt Used		Bearing No.	Housing No.	Housing wt (kg)		
	(in)	(mm)	h	a	e	b	s1	s2	g	w	Bi	n	(in)	(mm)					
SBPSD201-8	1/2																SB201-8		
202-9	9/16																202-9		0.28
202-10	5/8																202-10		0.27
203-11	11/16																203-11		0.20
SBPSD201		12	30.2	114	87	25	11	16	7	55	22	6	3/8	M10		SB201	PSD201		
202		15														202	PSD202		
203		17														203	PSD203		
SBPSD204-12	3/4																SB204-12	PSD204	0.30
SBPSD204		20	33.3	125	97	27	12	16	8	62	24.7	7	3/8	M10		SB204			
SBPSD205-14	7/8																SB205-14		
205-15	15/16																205-15	PSD205	0.4
205-16	1		36.5	130	100	29	11	16	9	69	27	7.5	3/8	M10		205-16			
SBPSD205		25														SB205			
SBPSD206-17	1-1/16																SB206-17		
206-18	1-1/8																206-18	PSD206	0.55
206-19	1-3/16		42.9	156	120	33	14	21	10	81	30.3	8	7/16	M12		206-19			
206-20	1-1/4															206-20			
SBPSD206		30														SB206			
SBPSD207-20	1-1/4																SB207-20		
207-21	1-5/16																207-21	PSD207	0.65
207-22	1-3/8		47.6	165	127	35	14	21	10	91	32.9	8.5	7/16	M12		207-22			
207-23	1-7/16															207-23			
SBPSD207		35														SB207			
SBPSD208-24	1-1/2																SB208-24		
208-25	1-9/16		50.8	181	140	37	14	22	11	99	34	9	7/16	M12		208-25	PSD208	1.42	
SBPSD208		40														SB208			
SBPSD209-26	1-5/8																SB209-26		
209-27	1-11/16		54	190	146	38	14	24	12	106	41.2	10.2	7/16	M12		209-27	PSD209	1.52	
209-28	1-3/4															209-28			
SBPSD209		45														SB209			
SBPSD210-30	1-7/8																SB210-30		
210-31	1-15/16		57.2	202	157	40	14	24	13	112	43.5	10.9	7/16	M12		210-31	PSD210	2.02	
SBPSD210		50														SB210			

CHANGZHOU KADI INTERNATIONAL

Note: All mentioned names, Trademarks and Part No. are the property of their respective manufacturers, all consumables are not original, are manufactured and sold by KADI CO., reference to the original manufacturer is for convenience only.

SQUARE FLANGE UNITS



UCF200 SERIES

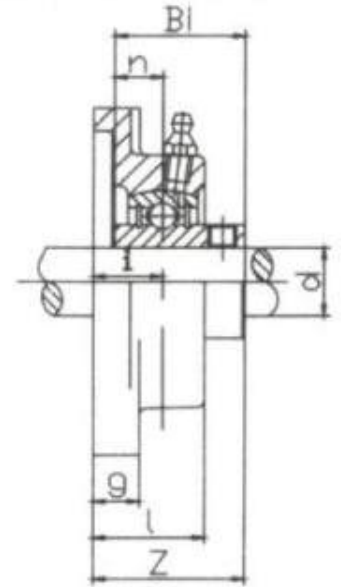
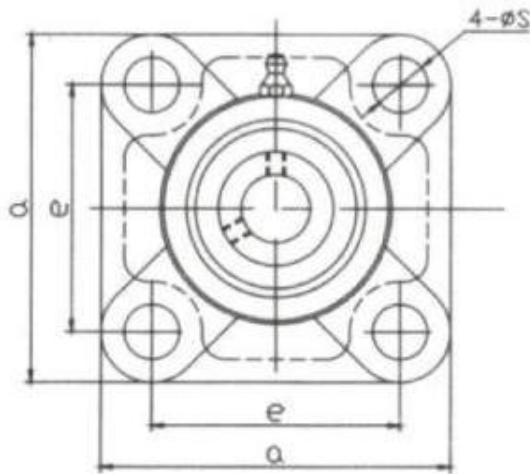
SM-UCF200 SERIES S-UCF200 SERIES

Bearing Unit No.	Shaft Dia		Dimensions (mm)											Bolt Used		Bearing No.	Housing No.	Housing wt (kg)
	(in)	(mm)	a	e	i	g	l	s	t	z1	z	Bi	n	(mm)	(in)			
UCF201-8 202-9 202-10 203-11	1/2 9/16 5/8 11/16		76	54	15	11	25.5	11.5			31	26	10	M10	3/8	UCW201-8 202-9 202-10 203-11	F203	0.5
UCF201 202 203		12 15 17														UCW202 202 203		
UCF201-8 202-9 202-10 203-11 204-12	1/2 9/16 5/8 11/16 3/4		86	64	15	12	25.5	12	2	40.5	33.3	31	12.7	M10	3/8	UC201-8 202-9 202-10 203-11 204-12	F204	0.6
UCF201 202 203 204		12 15 17 20														UC201 202 203 204		
UCF205-13 205-14 205-15 205-16	13/16 7/8 15/16 1		95	70	16	14	27	12	2	44.5	35.8	34.1	14.3	M10	3/8	UC205-13 205-14 205-15 205-16	F205	0.86
UCF205		25														UC205		
UCF206-17 206-18 206-19 206-20	1-1/16 1-1/8 1-3/16 1-1/4		108	83	18	14	31	12	2	49	40.2	38.1	15.9	M10	3/8	UC206-17 206-18 206-19 206-20	F206	1.1
UCF206		30														UC206		
UCF207-20 207-21 207-22 207-23	1-1/4 1-5/16 1-3/8 1-7/16		117	92	19	16	34	14	3	55	44.4	42.9	17.5	M12	7/16	UC207-20 207-21 207-22 207-23	F207	1.6
UCF207		35														UC207		
UCF208-24 208-25	1-1/2 1-9/16		130	102	21	16	36	16	3	62	51.2	49.2	19	M14	1/2	UC208-24 208-25	F208	1.9
UCF208		40														UC208		
UCF209-26 209-27 209-28	1-5/8 1-11/16 1-3/4		137	105	22	18	38	16	3	63	52.2	49.2	19	M14	1/2	UC209-26 209-27 209-28	F209	2.4
UCF209		45														UC209		
UCF210-29 210-30 210-31 210-32	1-13/16 1-7/8 1-15/16 2		143	111	22	18	40	16	3	66.5	54.6	51.6	19	M14	1/2	UC210-29 210-30 210-31 210-32	F210	2.6
UCF210		50														UC210		
UCF211-32 211-33 211-34 211-35	2 2-1/16 2-1/8 2-3/16		162	130	25	20	43	19	4	71	58.4	55.6	22.2	M16	5/8	UC211-32 211-33 211-34 211-35	F211	3.5
UCF211		55														UC211		
UCF212-36 212-37 212-38 212-39	2-1/4 2-5/16 2-3/8 2-7/16		175	143	29	20	48	19	4	80	68.7	65.1	25.4	M16	5/8	UC212-36 212-37 212-38 212-39	F212	4.2
UCF212		60														UC212		
UCF213-40 213-41	2-1/2 2-9/16		187	149	30	20	50	19	4	83.5	69.7	65.1	25.4	M16	5/8	UC213-40 213-41	F213	5.3
UCF213		65														UC213		
UCF214-42 214-43 214-44	2-5/8 2-11/16 2-3/4		193	152	31	24	54	19			75.4	74.6	30.2	M16	5/8	UC214-42 214-43 214-44	F214	5.5
UCF214		70														UC214		
UCF215-45 215-46 215-47 215-48	2-13/16 2-7/8 2-15/16 3		200	159	34	24	56	19			78.5	77.8	33.3	M16	5/8	UC215-45 215-46 215-47 215-48	F215	6.2
UCF215		75														UC215		
UCF216-50 UCF216	3-1/8	80	208	165	34	24	58	23			83.3	82.6	33.3	M20	3/4	UC216-50 UC216	F216	7.7
UCF217-52 UCF217	3-1/4	85	220	175	36	26	63	23			87.6	85.7	34.1	M20	3/4	UC217-52 UC217	F217	9
UCF218-56 UCF218	3-1/2	90	235	187	40	26	68	23			96.3	96.0	39.7	M20	3/4	UC218-56 UC218	F218	11.3

CHANGZHOU KADI INTERNATIONAL

Note: All mentioned names, Trademarks and Part No. are the property of their respective manufacturers, all consumables are not original, are manufactured and sold by KADI CO., reference to the original manufacturer is for convenience only.

SQUARE FLANGE UNITS



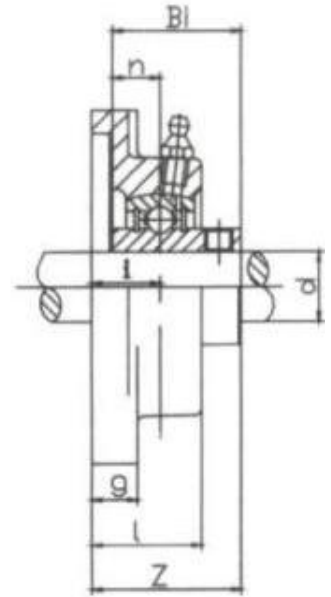
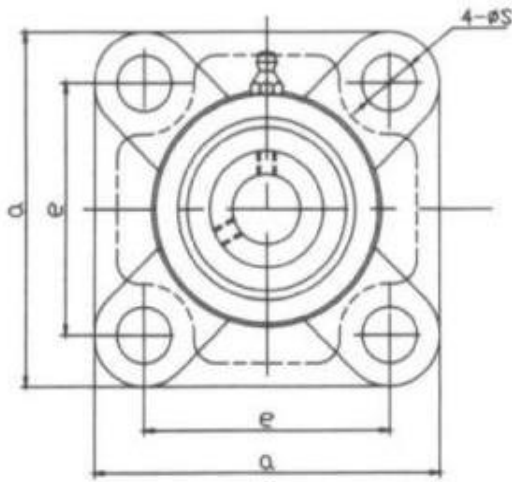
UCF300 SERIES

Bearing Unit No.	Shaft Dia		Dimensions (mm)									Bolt Used		Bearing No.	Housing No.	Housing wt (kg)
	(in)	(mm)	a	e	i	g	l	s	z	Bi	n	(mm)	(in)			
UCF305-14 305-15 305-16 UCF305	7/8 15/16 1	25	110	80	16	13	29	16	39	38	15	M14	1/2	UC305-14 305-15 305-16 UC305	F305	0.90
UCF306-18 306-19 UCF306	1-1/8 1-3/16	30	125	95	18	15	32	16	44	43	17	M14	1/2	UC306-18 306-19 UC306	F306	1.28
UCF307-20 307-21 307-22 307-23 UCF307	1-1/4 1-5/16 1-3/8 1-7/16	35	135	100	20	16	36	19	49	48	19	M16	5/8	UC307-20 307-21 307-22 307-23 UC307	F307	1.57
UCF308-24 308-25 UCF308	1-1/2 1-9/16	40	150	112	23	17	40	19	56	52	19	M16	5/8	UC308-24 308-25 UC308	F308	2.00
UCF309-26 309-27 309-28 UCF309	1-5/8 1-11/16 1-3/4	45	160	125	25	18	44	19	60	57	22	M16	5/8	UC309-26 309-27 309-28 UC309	F309	2.60
UCF310-30 310-31 UCF310	1-7/8 1-15/16	50	175	132	28	19	48	23	67	61	22	M20	3/4	UC310-30 310-31 UC310	F310	2.68
UCF311-32 311-34 311-35 UCF311	2 2-1/8 2-3/16	55	185	140	30	20	52	23	71	66	25	M20	3/4	UC311-32 311-34 311-35 UC311	F311	3.30
UCF312-36 312-38 312-39 UCF312	2-1/4 2-3/8 2-7/16	60	195	150	33	22	56	23	78	71	26	M20	3/4	UC312-36 312-38 312-39 UC312	F312	4.1
UCF313-40 UCF313	2-1/2	65	208	166	33	22	58	23	78	75	30	M20	3/4	UC313-40 UC313	F313	4.9
UCF314-44 UCF314	2-3/4	70	226	178	36	25	61	25	81	78	33	M22	7/8	UC314-44 UC314	F314	5.6
UCF315-48 UCF315	3	75	236	184	39	25	66	25	89	82	32	M22	7/8	UC315-48 UC315	F315	7.00
UCF316-50 UCF316	3-1/8	80	250	196	38	27	68	31	90	86	34	M27	1	UC316-50 UC316	F316	9.0
UCF317-52 UCF317	3-1/4	85	260	204	44	27	74	31	100	96	40	M27	1	UC317-52 UC317	F317	10.5
UCF318-56 UCF318	3-1/2	90	280	216	44	30	76	35	100	96	40	M30	1-1/8	UC318-56 UC318	F318	12.8
UCF319-60 UCF319	3-3/4	95	290	228	59	30	94	35	121	103	41	M30	1-1/8	UC319-60 UC319	F319	13.80
UCF320-64 UCF320	4	100	310	242	59	32	94	38	125	108	42	M33	1-1/4	UC320-64 UC320	F320	15.2
UCF321		105	310	242	59	32	94	38	127	112	44	M33	1-1/4	UC321	F321	15.00
UCF322		110	340	266	60	35	96	41	131	117	46	M36		UC322	F322	21.80
UCF324		120	370	290	65	40	110	41	140	126	51	M36		UC324	F324	25.20
UCF326		130	410	320	65	45	115	41	146	135	54	M36		UC326	F326	37.00
UCF328		140	450	350	75	55	125	41	161	145	59	M36		UC328	F328	7.80

CHANGZHOU KADI INTERNATIONAL

Note: All mentioned names, Trademarks and Part No. are the property of their respective manufacturers, all consumables are not original, are manufactured and sold by KADI CO., reference to the original manufacturer is for convenience only.

SQUARE FLANGE UNITS



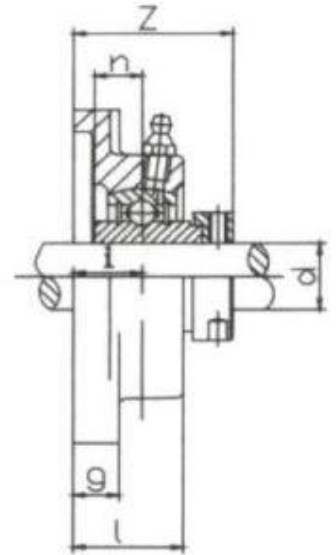
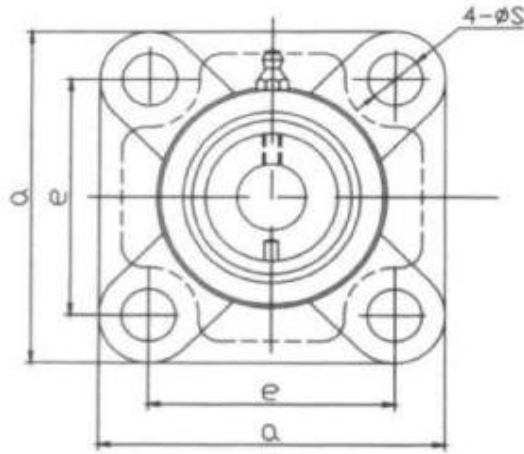
UCFX00 SERIES

Bearing Unit No.	Shaft Dia d		Dimensions (mm)									Bolt Used		Bearing No.	Housing No.	Housing wt (kg)
	(in)	(mm)	a	e	i	g	l	s	z	Bi	n	(in)	(mm)			
UCFX05-16 UCFX05	1	25	108	83	18	13	30	12	40.2	38.1	15.9	3/8	M10	UCX05-16 UCX05	FX05	1.02
UCFX06-19 X06-20 UCFX06	1-3/16 1-1/4	30	117	92	19	14.3	34	16	44.4	49.2	17.5	1/2	M14	UCX06-19 X06-20 UCX06	FX06	1.46
UCFX07-22 X07-23 UCFX07	1-3/8 1-7/16	35	130	102	21	14.3	38	16	51.2	49.2	19	1/2	M14	UCX07-22 X07-23 UCX07	FX07	1.94
UCFX08-24 UCFX08	1-1/2	40	137	105	22	14.3	40	19	52.2	49.2	19	5/8	M16	UCX08-24 UCX08	FX08	2.2
UCFX09-26 X09-27 X09-28 UCFX09	1-5/8 1-11/16 1-3/4	45	143	111	23	14.3	40	19	55.6	51.6	19	5/8	M16	UCX09-26 X09-27 X09-28 UCX09	FX09	2.42
UCFX10-31 X10-32 UCFX10	1-15/16 2	50	162	130	26	20	44	19	59.4	55.6	22.2	5/8	M16	UCX10-31 X10-32 UCX10	FX10	3.41
UCFX11-35 X11-36 UCFX11	2-3/16 2-1/4	55	175	143	29	20	49	19	68.7	65.1	25.4	5/8	M16	UCX11-35 X11-36 UCX11	FX11	4.52
UCFX12-38 X12-39 UCFX12	2-3/8 2-7/16	60	187	149	34	21	59	19	73.7	65.1	25.4	5/8	M16	UCX12-38 X12-39 UCFX12	FX12	5.32
UCFX13-40 UCFX13	2-1/2	65	187	149	34	21	59	19	78.4	74.6	30.2	5/8	M16	UCX13-40 UCX13	FX13	5.53
UCFX14-44 UCFX14	2-3/4	70	197	152	37	24	60	23	81.5	77.8	33.3	3/4	M20	UCX14-44 UCX14	FX14	6.77
UCFX15-47 X15-48 UCFX15	2-15/16 3	75	197	152	40	24	68	23	89.3	82.6	33.3	3/4	M20	UCX15-47 X15-48 UCX15	FX15	7.82
UCFX16-50 UCFX16	3-1/8	80	214	171	40	24	70	23	91.6	85.7	34.1	3/4	M20	UCX16-50 UCX16	FX16	8.91
UCFX17-55 UCFX17	3-7/16	85	214	171	40	24	70	23	96.3	96	39.7	3/4	M20	UCX17-55 UCX17	FX17	10.23
UCFX18-56 UCFX18	3-1/2	90	214	171	45	24	76	23	106.1	104	42.9	3/4	M20	UCX18-56 UCX18	FX18	11.69
UCFX20-63 X20-64 UCFX20	3-15/16 4	100	268	211	59	31	97	31	127.3	117.5	49.2	1-1/8	M27	UCX20-63 X20-64 UCX20	FX20	19.44

CHANGZHOU KADI INTERNATIONAL

Note: All mentioned names, Trademarks and Part No. are the property of their respective manufacturers, all consumables are not original, are manufactured and sold by KADI CO., reference to the original manufacturer is for convenience only.

SQUARE FLANGE UNITS



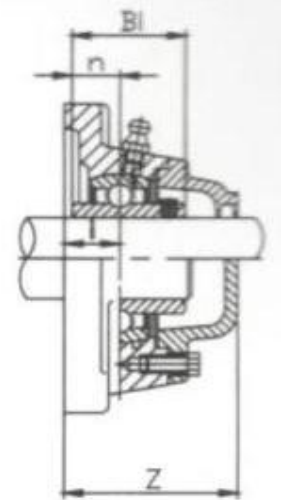
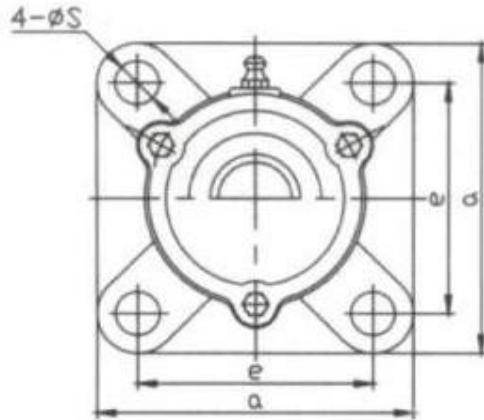
HCFS200 SERIES

Bearing Unit No.	Shaft Dia d		Dimensions (mm)								Bolt Used		Bearing No.	Housing No.	Housing wt (kg)
	(in)	(mm)	a	e	l	g	l	s	n	z	(mm)	(in)			
HCFS201-8 202-9 202-10 203-11 204-12	1/2 9/16 5/8 11/16 3/4		86	63.5	19	15	29.5	11.5	17.1	45.5	M10	3/8	HC201-8 202-9 202-10 203-11 204-12	FS203 FS204	0.49 0.58
HCFS201 202 203 204		12 15 17 20											HC201 202 203 204		
HCFS205-13 205-14 205-15 205-16	13/16 7/8 15/16 1		93	70	19	15	30	11.5	17.5	45.9	M10	3/8	HC205-13 205-14 205-15 205-16	FS205	0.61
HCFS205		25											HC205		
HCFS206-17 206-18 206-19 206-20	1-1/16 1-1/8 1-3/16 1-1/4		106	82.5	20	16	32.5	13	18.3	50.1	M12	7/16	HC206-17 206-18 206-19 206-20	FS206	0.8
HCFS206		30											HC206		
HCFS207-20 207-21 207-22 207-23	1-1/4 1-5/16 1-3/8 1-7/16		116	92	21	17	35	13	18.8	53.3	M12	7/16	HC207-20 207-21 207-22 207-23	FS207	1
HCFS207		35											HC207		
HCFS208-24 208-25	1-1/2 1-9/16		129	101.5	24	17	39	14	21.4	58.9	M12	7/16	HC208-24 208-25	FS208	0.91
HCFS208		40											HC208		
HCFS209-26 209-27 209-28	1-5/8 1-11/16 1-3/4		135	105	24	18	40	16	21.4	58.9	M14	1/2	HC209-26 209-27 209-28	FS209	1.54
HCFS209		45											HC209		
HCFS210-29 210-30 210-31 210-32	1-13/16 1-7/8 1-15/16 2		143	111	28	20	45	16	24.6	66.1	M14	1/2	HC210-29 210-30 210-31 210-32	FS210	1.78
HCFS210		50											HC210		
HCFS211-32 211-33 211-34 211-35	2 2-1/16 2-1/8 2-3/16		162	130	31	21	49	17	27.8	74.6	M14	1/2	HC211-32 211-33 211-34 211-35	FS211	2.5
HCFS211		55											HC211		
HCFS212-36 212-37 212-38 212-39	2-1/4 2-5/16 2-3/8 2-7/16		175	143	34	22	53.5	17	31	80.8	M14	1/2	HC212-36 212-37 212-38 212-39	FS212	2.8
HCFS212		60											HC212		
HCFS213-40 213-41	2-1/2 2-9/16		184	149	38	22	58	18	34.1	89.6	M16	5/8	HC213-40 213-41	FS213	3.58
HCFS213		65											HC213		
HCFS214-42 214-43 214-44	2-5/8 2-11/16 2-3/4		188	152	38	23	60	18	34.1	89.6	M16	5/8	HC214-42 214-43 214-44	FS214	4.09
HCFS214		70											HC214		
HCFS215-45 215-46 215-47 215-48	2-13/16 2-7/8 2-15/16 3		200	152.4	41	24	62	20	37.3	95.8	M16	5/8	HC215-45 215-46 215-47 215-48	FS215	4.81
HCFS215		75											HC215		

CHANGZHOU KADI INTERNATIONAL

Note: All mentioned names, Trademarks and Part No. are the property of their respective manufacturers, all consumables are not original, are manufactured and sold by KADI CO., reference to the original manufacturer is for convenience only.

SQUARE FLANGE UNITS



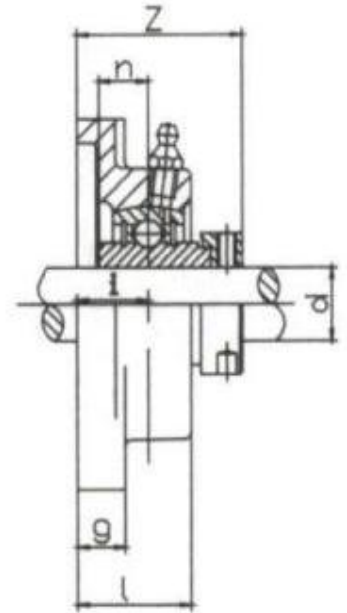
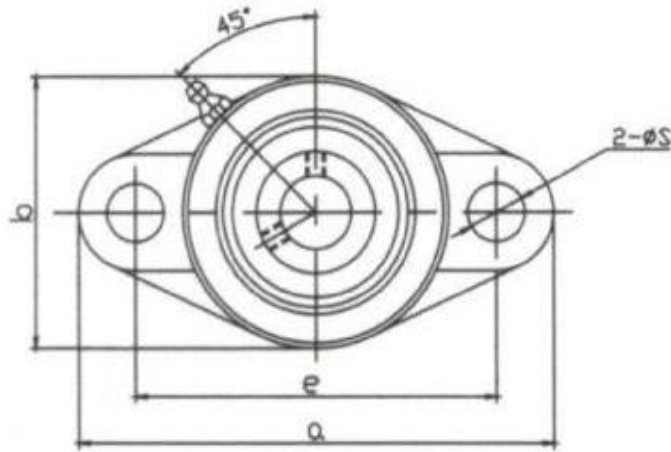
UCCF200 SERIES

Bearing Unit No.	Shaft Dia		Dimensions (mm)							Bolt Used		Bearing No.	Housing No.	Housing wt (kg)
	(in)	(mm)	a	e	i	s	z	Bi	n	mm	in			
UCCF201-8 202-9 202-10 203-11 204-12	1/2 9/16 5/8 11/16 3/4		86	64	15	12	46	31	12.7	M10	3/8	UC201-8 202-9 202-10 203-11 204-12		0.84
UCCF201 202 203 204		12 15 17 20										UC201 202 203 204	CF201 CF202 CF203 CF204	
UCCF205-13 205-14 205-15 205-16	13/16 7/8 15/16 1		95	70	16	12	51	34.1	14.3	M10	3/8	UC205-13 205-14 205-15 205-16	CF205	1
UCCF205		25										UC205		
UCCF206-17 206-18 206-19 206-20	1-1/16 1-1/8 1-3/16 1-1/4		108	83	18	12	55	38.1	15.9	M10	3/8	UC206-17 206-18 206-19 206-20	CF206	1.29
UCCF206		30										UC206		
UCCF207-20 207-21 207-22 207-23	1-1/4 1-5/16 1-3/8 1-7/16		117	92	19	14	59	42.9	17.5	M12	7/16	UC207-20 207-21 207-22 207-23	CF207	1.61
UCCF207		35										UC207		
UCCF208-24 208-25	1-1/2 1-9/16		130	102	21	16	66	49.2	19	M14	1/2	UC208-24 208-25	CF208	2.07
UCCF208		40										UC208		
UCCF209-26 209-27 209-28	1-5/8 1-11/16 1-3/4		137	105	22	16	67	49.2	19	M14	1/2	UC209-26 209-27 209-28	CF209	2.42
UCCF209		45										UC209		
UCCF210-29 210-30 210-31 210-32	1-13/16 1-7/8 1-15/16 2		143	111	22	16	71	51.6	19	M14	1/2	UC210-29 210-30 210-31 210-32	CF210	2.81
UCCF210		50										UC210		
UCCF211-32 211-33 211-34 211-35	2 2-1/16 2-1/8 2-3/16		162	130	25	19	75	55.6	22.2	M16	5/8	UC211-32 211-33 211-34 211-35	CF211	3.56
UCCF211		55										UC211		
UCCF212-36 212-37 212-38 212-39	2-1/4 2-5/16 2-3/8 2-7/16		175	143	29	19	86	65.1	25.4	M16	5/8	UC212-36 212-37 212-38 212-39	CF212	4.43
UCCF212		60										UC212		
UCCF213-40 213-41	2-1/2 2-9/16		187	149	30	19	89	65.1	25.4	M16	5/8	UC213-40 213-41	CF213	5.37
UCCF213		65										UC213		
UCCF214-42 214-43 214-44	2-5/8 2-11/16 2-3/4		193	152	31	19	98	74.6	30.2	M16	5/8	UC214-42 214-43 214-44	CF214	5.72
UCCF214		70										UC214		
UCCF215-45 215-46 215-47 215-48	2-13/16 2-7/8 2-15/16 3		200	159	34	19	102	77.8	33.3	M16	5/8	UC215-45 215-46 215-47 215-48	CF215	6.35
UCCF215		75										UC215		
UCCF216-50 UCCF216	3-1/8	80	208	165	34	23	107	82.6	33.3	M20	3/4	UC216-50 UC216	CF216	7.14
UCCF217-52 UCCF217	3-1/4	85	220	175	36	23	111	85.7	34.1	M20	3/4	UC217-52 UC217	CF217	8.38
UCCF218-56 UCCF218	3-1/2	90	235	187	40	23	122	96	39.7	M20	3/4	UC218-56 UC218	CF218	10.5

CHANGZHOU KADI INTERNATIONAL

Note: All mentioned names, Trademarks and Part No. are the property of their respective manufacturers, all consumables are not original, are manufactured and sold by KADI CO., reference to the original manufacturer is for convenience only.

SQUARE FLANGE UNITS



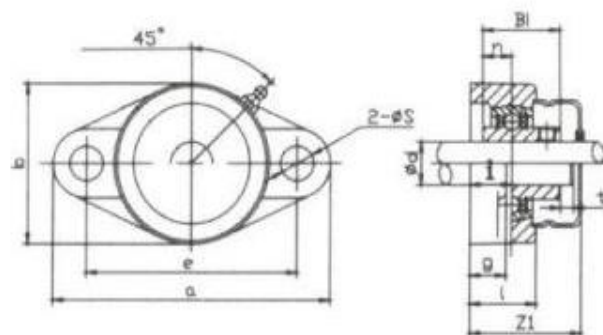
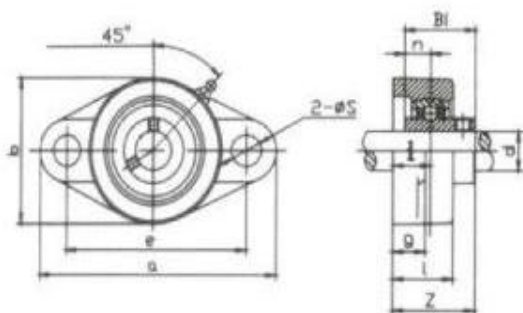
HCFLU200 SERIES

Bearing Unit No.	Shaft Dia		Dimensions (mm)									Bolt Used		Bearing No.	Housing No.	Housing wt (kg)
	(in)	(mm)	a	e	b	i	g	l	s	z	n	(in)	(mm)			
HCFLU202-10 203-11 HCFLU202 203	5/8 11/16	15 17	99	76.5	57	15	11	25.5	11.5	38.4	13.9	3/8	M10	HC202-10 203-11 HC202 203	FLU203	0.59
HCFLU204-12 HCFLU204	3/4	20	112.5	90	61	19	15	29.5	11.5	45.5	17	3/8	M10	HC204-12 204	FLU204	0.59
HCFLU205-14 205-15 205-16 HCFLU205	7/8 15/16 1	25	123	99	70	19	15	30	11.5	45.9	17.4	3/8	M10	HC205-14 205-15 205-16 HC205	FLU205	0.65
HCFLU206-18 206-19 206-20 HCFLU206	1-1/8 1-3/16 1-1/4	30	142	116.5	82	20	16	32.5	11.5	50.1	18.2	3/8	M10	HC206-18 206-19 206-20 HC206	FLU206	0.94
HCFLU207-20 207-21 207-22 207-23 HCFLU207	1-1/4 1-5/16 1-3/8 1-7/16	35	158	130	94	21	17	36	14	53.3	18.8	1/2	M12	HC207-20 207-21 207-22 207-23 HC207	FLU207	1.1
HCFLU208-24 208-25 HCFLU208	1-1/2 1-9/16	40	172	143.5	103	24	17	39	14	58.9	21.4	1/2	M12	HC208-24 208-25 HC208	FLU208	1.16
HCFLU209-26 209-27 209-28 HCFLU209	1-5/8 1-11/16 1-3/4	45	180	148.5	108	24	18	40	16	58.9	21.4	1/2	M14	HC209-26 209-27 209-28 HC209	FLU209	1.58
HCFLU210-30 210-31 210-32 HCFLU210	1-7/8 1-15/16 2	50	190	157	114	28	20	45	18	66.1	24.6	5/8	M16	HC210-30 210-31 210-32 HC210	FLU210	1.62
HCFLU211-32 211-34 211-35 HCFLU211	2 2-1/8 2-3/16	55	217	184	128	31	21	48	18	74.6	27.7	5/8	M16	HC211-32 211-34 211-35 HC211	FLU211	2.4
HCFLU212-36 212-38 212-39 HCFLU212	2-1/4 2-3/8 2-7/16	60	237	202	138	34	21	53	18	80.8	30.9	5/8	M16	HC212-36 212-38 212-39 HC212	FLU212	3.2
HCFLU213-40 HCFLU213	2-1/2	65	256	210	152	38	22	56	21	89.6	34.1		M18	HC213-40 HC213	FLU213	4.05
HCFLU214-44 HCFLU214	2-3/4	70	264	216	157	38	23	58	21	89.6	34.1		M18	HC214-44 HC214	FLU214	4.17
HCFLU215-47 215-48 HCFLU215	2-15/16 3	75	275	225	164	41	24	62	21	95.8	37.3		M18	HC215-47 215-48 HC215	FLU215	4.65

CHANGZHOU KADI INTERNATIONAL

Note: All mentioned names, Trademarks and Part No. are the property of their respective manufacturers, all consumables are not original, are manufactured and sold by KADI CO., reference to the original manufacturer is for convenience only.

TWO-BOLT FLANGE UNITS



UCFL200 SERIES

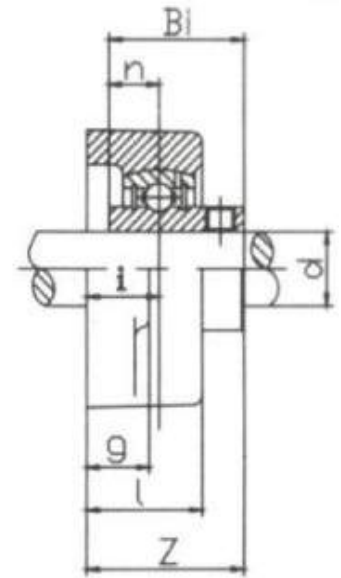
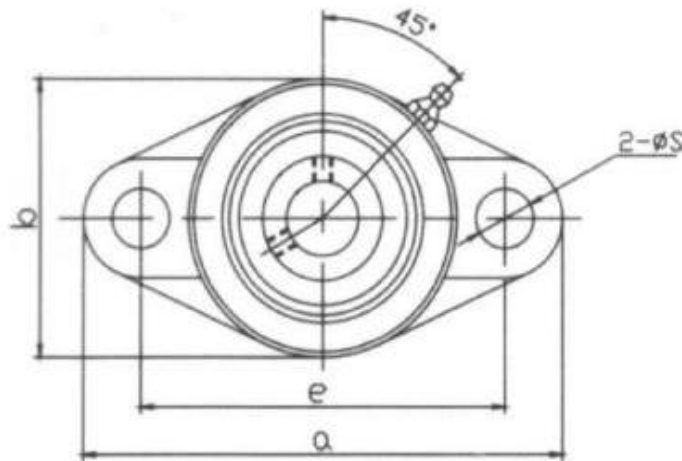
S-SUCFL200
SM-UCFL200

Bearing Unit No.	Shaft Dia		Dimensions (mm)												Bolt Used		Bearing No.	Housing No.	Housing wt (kg)	
	(in)	(mm)	a	e	i	g	l	s	b	t	z1	z	Bl	n	(mm)	(in)				
UCFL201-8 202-9 202-10 203-11 UCFL201 202 203 204	1/2 9/16 5/8 11/16	12	99	76.5	15	13	25.5	11.5	57				31	26	10	M10	3/8	UCW201-8 202-9 202-10 203-11 UCW201 202 203 204	FL203	0.25
UCFL201-8 202-9 202-10 203-11 204-12 UCFL201 202 203 204	1/2 9/16 5/8 11/16 3/4	12 15 17 20	113	90	15	12	25.5	12	60	2	40.5	33.3	31	12.7	M10	3/8	UC201-8 202-9 202-10 203-11 204-12 UC201 202 203 204	FL204	0.28	
UCFL205-13 205-14 205-15 205-16 UCFL205	13/16 7/8 15/16 1	25	130	99	16	14	27	16	68	2	44.5	35.7	34.1	14.3	M14	1/2	UC205-13 205-14 205-15 205-16 UC205	FL205	0.4	
UCFL206-17 206-18 206-19 206-20 UCFL206	1-1/16 1-1/8 1-3/16 1-1/4	30	148	117	18	14	31	16	80	2	49	40.2	38.1	15.9	M14	1/2	UC206-17 206-18 206-19 206-20 UC206	FL206	0.54	
UCFL207-20 207-21 207-22 207-23 UCFL207	1-1/4 1-5/16 1-3/8 1-7/16	35	161	130	19	16	34	16	90	3	55	44.4	42.9	17.5	M14	1/2	UC207-20 207-21 207-22 207-23 UC207	FL207	0.65	
UCFL208-24 208-25 UCFL208	1-1/2 1-9/16	40	175	144	21	16	36	16	100	3	62	51.2	49.2	19	M14	1/2	UC208-24 208-25 UC208	FL208	0.8	
UCFL209-26 209-27 209-28 UCFL209	1-5/8 1-11/16 1-3/4	45	188	148	22	18	38	19	108	3	63	52.2	49.2	19	M16	5/8	UC209-26 209-27 209-28 UC209	FL209	1.15	
UCFL210-29 210-30 210-31 210-32 UCFL210	1-13/16 1-7/8 1-15/16 2	50	197	157	22	18	40	19	115	3	66.5	54.6	51.6	19	M16	5/8	UC210-29 210-30 210-31 210-32 UC210	FL210	1.25	
UCFL211-32 211-33 211-34 211-35 UCFL211	2 2-1/16 2-1/8 2-3/16	55	224	184	25	20	43	19	130	4	71	58.4	55.6	22.2	M16	5/8	UC211-32 211-33 211-34 211-35 UC211	FL211	1.85	
UCFL212-36 212-37 212-38 212-39 UCFL212	2-1/4 2-5/16 2-3/8 2-7/16	60	250	202	29	20	48	23	140	4	80	68.7	65.1	25.4	M20	3/4	UC212-36 212-37 212-38 212-39 UC212	FL212	2.10	
UCFL213-40 213-41 UCFL213	2-1/2 2-9/16	65	258	210	30	24	50	23	155	4	83.5	69.7	65.1	25.4	M20	3/4	UC213-40 213-41 UC213	FL213	2.8	
UCFL214-42 214-43 214-44 UCFL214	2-5/8 2-11/16 2-3/4	70	265	216	31	24	54	23	160			75.4	74.6	30.2	M20	3/4	UC214-42 214-43 214-44 UC214	FL214	3.2	
UCFL215-45 215-46 215-47 215-48 UCFL215	2-13/16 2-7/8 2-15/16 3	75	275	225	34	24	56	23	165			78.5	77.8	33.3	M20	3/4	UC215-45 215-46 215-47 215-48 UC215	FL215	2.8	
UCFL216-50 UCFL216	3-1/8	80	290	233	34	24	58	25	180			83.3	82.6	33.3	M22	7/8	UC216-50 UC216	FL216	3.53	
UCFL217-52 UCFL217	3-1/4	85	305	248	36	26	63	25	190			87.6	85.7	34.1	M22	7/8	UC217-52 UC217	FL217	5.5	
UCFL218-56 UCFL218	3-1/2	90	320	265	40	26	68	25	205			96.3	96	39.7	M22	7/8	UC218-56 UC218	FL218	6.0	

CHANGZHOU KADI INTERNATIONAL

Note: All mentioned names, Trademarks and Part No. are the property of their respective manufacturers, all consumables are not original, are manufactured and sold by KADI CO., reference to the original manufacturer is for convenience only.

TWO-BOLT FLANGE



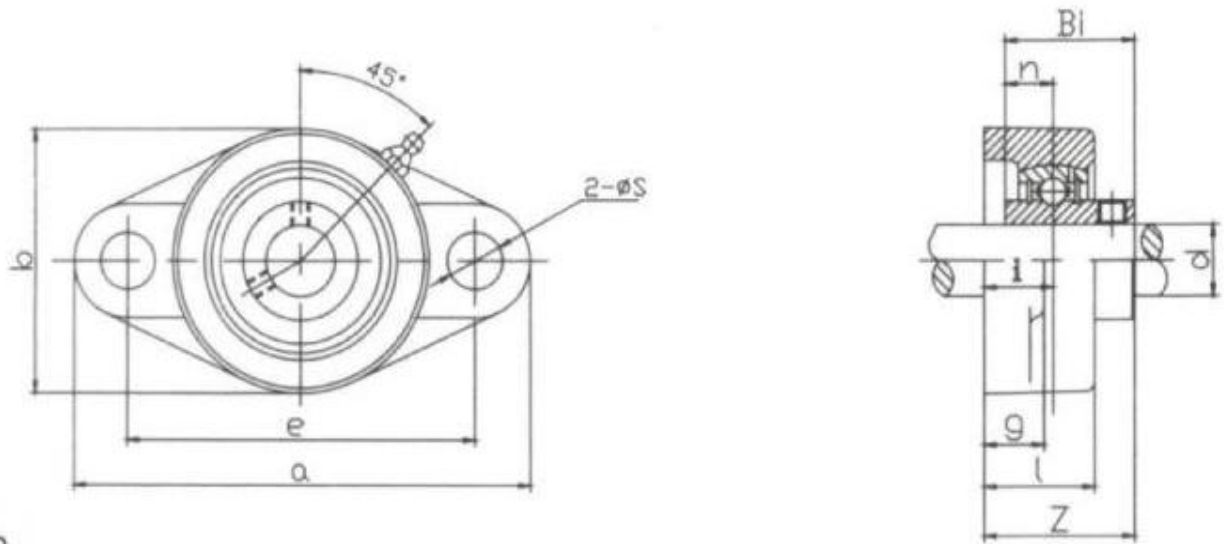
UCFL300 SERIES

Bearing Unit No.	Shaft Dia		Dimensions (mm)										Bolt Used		Bearing No.	Housing No.	Housing wt (kg)
	(in)	(mm)	a	e	i	g	l	s	b	z	Bi	n	(mm)	(in)			
UCFL305-14 305-15 305-16 UCFL305	7/8 15/16 1	25	150	113	16	13	29	19	80	39	38	15	M16	5/8	UC305-14 305-15 305-16 UC305	FL305	0.7
UCFL306-18 306-19 UCFL306	1-1/8 1-3/16	30	180	134	18	15	32	23	90	44	43	17	M20	3/4	UC306-18 306-19 UC306	FL306	1.1
UCFL307-20 307-21 307-22 307-23 UCFL307	1-1/4 1-5/16 1-3/8 1-7/16	35	185	141	20	16	36	23	100	49	48	19	M20	3/4	UC307-20 307-21 307-22 307-23 UC307	FL307	1.2
UCFL308-24 308-25 UCFL308	1-1/2 1-9/16	40	200	158	23	17	40	23	112	56	52	19	M20	3/4	UC308-24 308-25 UC308	FL308	1.5
UCFL309-26 309-27 309-28 UCFL309	1-5/8 1-11/16 1-3/4	45	230	177	25	18	44	25	125	60	57	22	M22	7/8	UC309-26 309-27 309-28 UC309	FL309	2.2
UCFL310-30 310-31 UCFL310	1-7/8 1-15/16	50	240	187	28	19	48	25	140	67	61	22	M22	7/8	UC310-30 310-31 UC310	FL310	2.7
UCFL311-32 311-34 311-35 UCFL311	2 2-1/8 2-3/16	55	250	198	30	20	52	25	150	71	66	25	M22	7/8	UC311-32 311-34 311-35 UC311	FL311	3.15
UCFL312-36 312-38 312-39 UCFL312	2-1/4 2-3/8 2-7/16	60	270	212	33	22	56	31	160	78	71	26	M27	1	UC312-36 312-38 312-39 UC312	FL312	3.30
UCFL313-40 UCFL313	2-1/2	65	295	240	33	25	58	31	175	78	75	30	M27	1	UC313-40 UC313	FL313	5.00
UCFL314-44 UCFL314	2-3/4	70	315	250	36	28	61	35	185	81	78	33	M30	1-1/8	UC314-44 UC314	FL314	6.10
UCFL315-48 UCFL315	3	75	320	260	39	30	66	35	195	89	82	32	M30	1-1/8	UC315-48 UC315	FL315	6.50
UCFL316-50 UCFL316	3-1/8	80	355	285	38	32	68	38	210	90	86	34	M33	1-1/4	UC316-50 UC316	FL316	8.50
UCFL317-52 UCFL317	3-1/4	85	370	300	44	32	74	38	220	100	96	40	M33	1-1/4	UC317-52 UC317	FL317	10.50
UCFL318-56 UCFL318	3-1/2	90	385	315	44	36	76	38	235	100	96	40	M33	1-1/4	UC318-56 UC318	FL318	12.50
UCFL319-60 UCFL319	3-3/4	95	405	330	59	40	94	41	250	121	103	41	M36		UC319-60 UC319	FL319	16.00
UCFL320-64 UCFL320	4	100	440	360	59	40	94	44	270	125	108	42	M39		UC320-64 UC320	FL320	17.30
UCFL321	105	440	360	59	40	94	44	270	127	112	44	M39		UC321	FL321	15.00	
UCFL322	110	470	390	60	42	96	44	300	131	117	46	M39		UC322	FL322	20.20	
UCFL324	120	520	430	65	48	110	47	330	140	126	51	M42		UC324	FL324	29.50	
UCFL326	130	550	460	65	50	115	47	360	146	135	54	M42		UC326	FL326	38.00	
UCFL328	140	600	500	75	60	125	51	400	161	145	59	M45		UC328	FL328	54.00	

CHANGZHOU KADI INTERNATIONAL

Note: All mentioned names, Trademarks and Part No. are the property of their respective manufacturers, all consumables are not original, are manufactured and sold by KADI CO., reference to the original manufacturer is for convenience only.

TWO-BOLT FLANGE UNITS



UCFT200 SERIES UCFLX00 SERIES

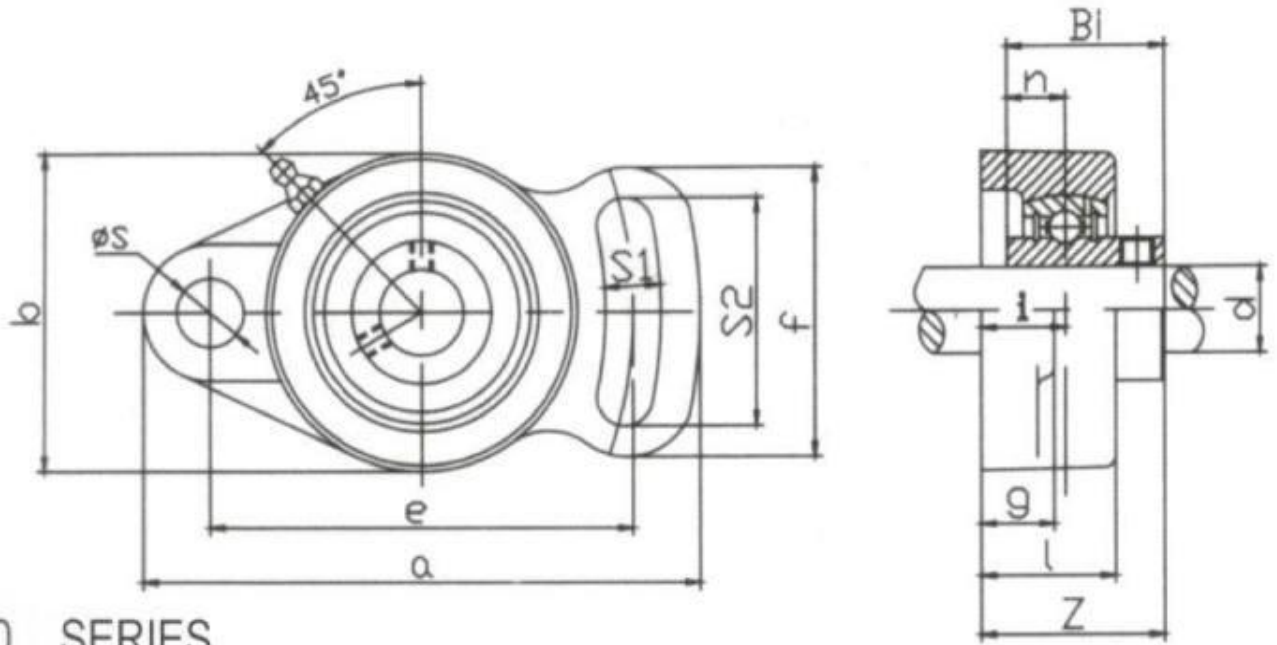
Bearing Unit No.	Shaft d Dia		Dimensions (mm)										Bolt Used		Bearing No.	Housing No.	Housing wt (kg)
	(in)	(mm)	a	e	i	g	l	s	b	z	Bi	n	(in)	(mm)			
UCFT201-8 202-9 202-10 203-11	1/2 9/16 5/8 11/16	12	112	76.2	17.1	11	25	10.5	60	33.1	26	10	5/16	M8	UCW201-8 202-9 202-10 203-11	FT203	0.28
UCFT201 202 203	11/16		112	89.7	14.3	11	25	10.5	60	32.6	31	12.7	5/16	M8	UCW201 UCW202 UCW203 UC204	FT204	0.28
UCFT204-12 UCFT204	3/4	20	112	89.7	14.3	11	25	10.5	60	32.6	31	12.7	5/16	M8	UC204-12 UC204	FT204	0.28
UCFT205-13 205-14 205-15 205-16	13/16 7/8 15/16 1	25	124	98.8	15.9	13	27	12.5	70	35.6	34.1	14.3	3/8	M10	UC205-13 205-14 205-15 205-16 UC205	FT205	0.47
UCFT205	1		124	98.8	15.9	13	27	12.5	70	35.6	34.1	14.3	3/8	M10	UC205	FT205	0.47
UCFT206-17 206-18 206-19 206-20	1-1/16 1-1/8 1-3/16 1-1/4	30	141	116.7	17.9	13	30	12.5	83	40.1	38.1	15.9	3/8	M10	UC206-17 206-18 206-19 206-20 UC206	FT206	0.55
UCFT206	1-1/4		141	116.7	17.9	13	30	12.5	83	40.1	38.1	15.9	3/8	M10	UC206	FT206	0.55
UCFT207-20 207-21 207-22 207-23	1-1/4 1-5/16 1-3/8 1-7/16	35	156	130.2	19.1	14	34	14	95	44.5	42.9	17.5	7/16	M12	UC207-20 207-21 207-22 207-23 UC207	FT207	0.85
UCFT207	1-7/16		156	130.2	19.1	14	34	14	95	44.5	42.9	17.5	7/16	M12	UC207	FT207	0.85
UCFT208-24 208-25 UCFT208	1-1/2 1-9/16	40	171	143.7	21	14	38	14	105	51.2	49.2	19	7/16	M12	UC208-24 208-25 UC208	FT208	0.9
UCFT208	1-9/16		171	143.7	21	14	38	14	105	51.2	49.2	19	7/16	M12	UC208	FT208	0.9
UCFT209-26 209-27 209-28	1-5/8 1-11/16 1-3/4	45	179	148.4	21.8	14	40	16	111	52	49.2	19	1/2	M14	UC209-26 209-27 209-28 UC209	FT209	1.05
UCFT209	1-3/4		179	148.4	21.8	14	40	16	111	52	49.2	19	1/2	M14	UC209	FT209	1.05
UCFT210-29 210-30 210-31 210-32	1-13/16 1-7/8 1-15/16 2	50	189	157.2	22.2	14	40	16	116	54.8	51.6	19	1/2	M14	UC210-29 210-30 210-31 210-32 UC210	FT210	1.5
UCFT210	2		189	157.2	22.2	14	40	16	116	54.8	51.6	19	1/2	M14	UC210	FT210	1.5
UCFT211-32 211-33 211-34 211-35	2 2-1/16 2-1/8 2-3/16	55	216	184.2	25.4	21	44	18	133	58.8	55.6	22.2	5/8	M16	UC211-32 211-33 211-34 211-35 UC211	FT211	1.65
UCFT211	2-3/16		216	184.2	25.4	21	44	18	133	58.8	55.6	22.2	5/8	M16	UC211	FT211	1.65

Bearing Unit No.	Shaft d Dia		Dimensions (mm)										Bolt Used		Bearing No.	Housing No.	Housing wt (kg)
	(in)	(mm)	a	e	i	g	l	s	b	z	Bi	n	(in)	(mm)			
UCFLX05-13 X05-14 X05-15 X05-16	13/16 7/8 15/16 1	25	141	117	18	13	30	12	83	40.2	38.1	15.9	3/8	M10	UCX05-13 X05-14 X05-15 X05-16 UCX05	FLX05	0.61
UCFLX05	1		141	117	18	13	30	12	83	40.2	38.1	15.9	3/8	M10	UCX05	FLX05	0.61
UCFLX06-17 X06-18 X06-19 X06-20	1-1/16 1-1/8 1-3/16 1-1/4	30	156	130	19	14	34	16	95	44.4	42.9	17.5	1/2	M14	UCX06-17 X06-18 X06-19 X06-20 UCX06	FLX06	0.82
UCFLX06	1-1/4		156	130	19	14	34	16	95	44.4	42.9	17.5	1/2	M14	UCX06	FLX06	0.82
UCFLX07-20 X07-21 X07-22 X07-23	1-1/4 1-5/16 1-3/8 1-7/16	35	171	144	21	14	38	16	105	51.2	49.2	19	1/2	M14	UCX07-20 X07-21 X07-22 X07-23 UCX07	FLX07	1.31
UCFLX07	1-7/16		171	144	21	14	38	16	105	51.2	49.2	19	1/2	M14	UCX07	FLX07	1.31
UCFLX08-24 X08-25 UCFLX08	1-1/2 1-9/16	40	179	148	22	14	40	16	111	52.2	49.2	19	1/2	M14	UCX08-24 X08-25 UCX08	FLX08	1.27
UCFLX08	1-9/16		179	148	22	14	40	16	111	52.2	49.2	19	1/2	M14	UCX08	FLX08	1.27
UCFLX09-26 X09-27 X09-28	1-5/8 1-11/16 1-3/4	45	189	157	23	14	40	16	116	55.6	51.6	19	1/2	M14	UCX09-26 X09-27 X09-28 UCX09	FLX09	1.4
UCFLX09	1-3/4		189	157	23	14	40	16	116	55.6	51.6	19	1/2	M14	UCX09	FLX09	1.4
UCFLX10-29 X10-30 X10-31 X10-32	1-13/16 1-7/8 1-15/16 2	50	216	184	26	20	44	19	133	59.4	55.6	22.2	5/8	M16	UCX10-29 X10-30 X10-31 X10-32 UCX10	FLX10	2.05
UCFLX10	2		216	184	26	20	44	19	133	59.4	55.6	22.2	5/8	M16	UCX10	FLX10	2.05

CHANGZHOU KADI INTERNATIONAL

Note: All mentioned names, Trademarks and Part No. are the property of their respective manufacturers, all consumables are not original, are manufactured and sold by KADI CO., reference to the original manufacturer is for convenience only.

TWO-BOLT FLANGE UNITS



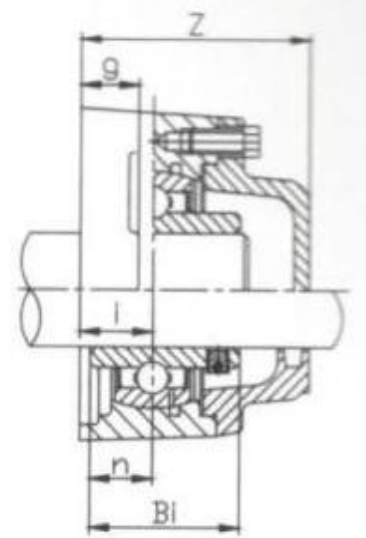
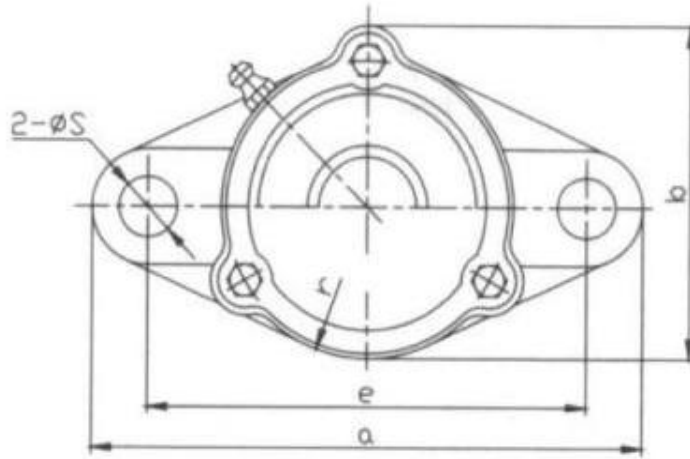
UCFA200 SERIES

Bearing Unit No.	Shaft Dia d		Dimensions (mm)													Bolt Used		Bearing No.	Housing No.	Housing wt (kg)																		
	(in)	(mm)	a	e	i	g	l	S	S1	S2	b	f	z	Bi	n	(mm)	(in)																					
UCFA201-8 202-9 202-10 203-11 204-12	1/2 9/16 5/8 11/16 3/4	12	98	78	15	12	25.5	10	10	40	60	50	33.3	31	12.7	M8	5/16	UC201-8 202-9 202-10 203-11 204-12	FA204	0.3																		
UCFA201 202 203 204	15 17 20																	UC201 202 203 204																				
UCFA205-13 205-14 205-15 205-16	13/16 7/8 15/16 1																	25			125	98	16	14	27	12	13	51	68	65	35.7	34	14.3	M10	3/8	UC205-13 205-14 205-15 205-16	FA205	0.5
UCFA205	25																																			UC205		
UCFA206-17 206-18 206-19 206-20	1-1/16 1-1/8 1-3/16 1-1/4																																			30		
UCFA206	30	UC206																																				
UCFA207-20 207-21 207-22 207-23	1-1/4 1-5/16 1-3/8 1-7/16	35	161	130	19	16	34	14	15	66	90	82	44.4	42.9	17.5	M12	7/16		UC207-20 207-21 207-22 207-23	FA207																		
UCFA207	35																	UC207																				
UCFA208-24 208-25	1-1/2 1-9/16																	40	175		144	21	16	36	14	15	71	100	87	51.2	49.2	19	M12	7/16	UC208-24 208-25		FA208	1
UCFA208	40																																		UC208			
UCFA209-26 209-27 209-28	1-5/8 1-11/16 1-3/4																																		45	181		
UCFA209	45	UC209																																				
UCFA210-29 210-30 210-31 210-32	1-13/16 1-7/8 1-15/16 2	50	190	157	22	18	40	16	17	76	115	94	54.6	51.6	19	M14	1/2			UC210-29 210-30 210-31 210-32																		
UCFA210	50																	UC210																				
UCFA211-32 211-33 211-34 211-35	2 2-1/16 2-1/8 2-3/16																	55	219	184	25	20	43	16	17	86	130	104	58.4	55.6	22.2	M14	1/2	UC211-32 211-33 211-34 211-35			FA211	2.3
UCFA211	55																																	UC211				
UCFA212-36 212-37 212-38 212-39	2-1/4 2-5/16 2-3/8 2-7/16																																	60	240	202		
UCFA212	60	UC212																																				
UCFA213-40 213-41	2-1/2 2-9/16	65	248	210	30	20	49	18	19	106	152	126	69.7	65.1	25.4	M16	5/8																					
UCFA213	65																	UC213																				

CHANGZHOU KADI INTERNATIONAL

Note: All mentioned names, Trademarks and Part No. are the property of their respective manufacturers, all consumables are not original, are manufactured and sold by KADI CO., reference to the original manufacturer is for convenience only.

TWO-BOLT FLANGE UNITS



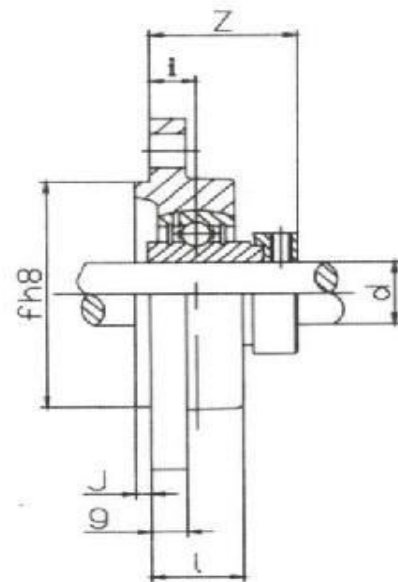
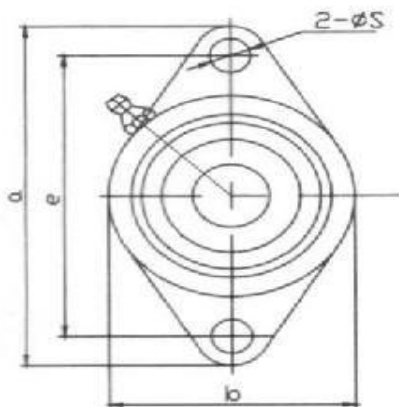
UCCFL200 SERIES

Bearing Unit No.	Shaft Dia		Dimensions (mm)										Bolt Used		Bearing No.	Housing No.	Housing wt (kg)
	(in)	(mm)	a	e	i	g	b	r	s	z	Bi	n	(mm)	(in)			
UCCFL201-8 202-9 202-10 203-11 204-12	1/2 9/16 5/8 11/16 3/4		113	90	15	12	66	30	12	46	31	12.7	M10	3/8	UC201-8 202-9 202-10 203-11 204-12	CFL201 CFL202 CFL203 CFL204	0.64
UCCFL201 202 203 204		12 15 17 20													UC201 202 203 204		
UCCFL205-13 205-14 205-15 205-16	13/16 7/8 15/16 1		130	99	16	14	73	34	16	51	34	14.3	M14	1/2	UC205-13 205-14 205-15 205-16	CFL205	0.81
UCCFL205		25													UC205		
UCCFL206-17 206-18 206-19 206-20	1-1/16 1-1/8 1-3/16 1-1/4		148	117	18	14	84	40	16	55	38.1	15.9	M14	1/2	UC206-17 206-18 206-19 206-20	CFL206	1.19
UCCFL206		30													UC206		
UCCFL207-20 207-21 207-22 207-23	1-1/4 1-5/16 1-3/8 1-7/16		161	130	19	16	94	45	16	59	42.9	17.5	M14	1/2	UC207-20 207-21 207-22 207-23	CFL207	1.41
UCCFL207		35													UC207		
UCCFL208-24 208-25	1-1/2 1-9/16		175	144	21	16	104	50	16	66	49.2	19	M14	1/2	UC208-24 208-25	CFL208	1.67
UCCFL208		40													UC208		
UCCFL209-26 209-27 209-28	1-5/8 1-11/16 1-3/4		188	148	22	18	113	54	19	67	49.2	19	M16	5/8	UC209-26 209-27 209-28	CFL209	2.02
UCCFL209		45													UC209		
UCCFL210-29 210-30 210-31 210-32	1-13/16 1-7/8 1-15/16 2		197	157	22	18	120	58	19	71	51.6	19	M16	5/8	UC210-29 210-30 210-31 210-32	CFL210	2.41
UCCFL210		50													UC210		
UCCFL211-32 211-33 211-34 211-35	2 2-1/16 2-1/8 2-3/16		224	184	25	20	134	65	19	75	55.6	22.2	M16	5/8	UC211-32 211-33 211-34 211-35	CFL211	3.26
UCCFL211		55													UC211		
UCCFL212-36 212-37 212-38 212-39	2-1/4 2-5/16 2-3/8 2-7/16		250	202	29	20	144	70	23	86	65.1	25.4	M20	3/4	UC212-36 212-37 212-38 212-39	CFL212	3.93
UCCFL212		60													UC212		
UCCFL213-40 213-41	2-1/2 2-9/16		258	210	30	24	157	78	23	89	65.1	25.4	M20	3/4	UC213-40 213-41	CFL213	4.97
UCCFL213		65													UC213		
UCCFL214-42 214-43 214-44	2-5/8 2-11/16 2-3/4		265	216	31	24	163	80	23	98	74.6	30.2	M20	3/4	UC214-42 214-43 214-44	CFL214	5.32
UCCFL214		70													UC214		
UCCFL215-45 215-46 215-47 215-48	2-13/16 2-7/8 2-15/16 3		275	225	34	24	168	83	23	102	77.8	33.3	M20	3/4	UC215-45 215-46 215-47 215-48	CFL215	5.56
UCCFL215		75													UC215		
UCCFL216-50 UCCFL216	3-1/8	80	290	233	34	24	188	90	25	107	82.6	33.3	M22	7/8	UC216-50 UC216	CFL216	7.34
UCCFL217-52 UCCFL217	3-1/4	85	305	248	36	26	198	95	25	111	85.7	34.1	M22	7/8	UC217-52 UC217	CFL217	8.38
UCCFL218-56 UCCFL218	3-1/2	90	320	265	40	26	211	103	25	122	96	39.7	M22	7/8	UC218-56 UC218	CFL218	10.6

CHANGZHOU KADI INTERNATIONAL

Note: All mentioned names, Trademarks and Part No. are the property of their respective manufacturers, all consumables are not original, are manufactured and sold by KADI CO., reference to the original manufacturer is for convenience only.

TWO-BOLT FLANGE UNITS



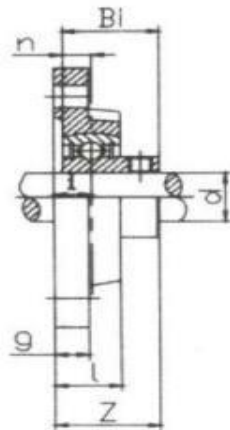
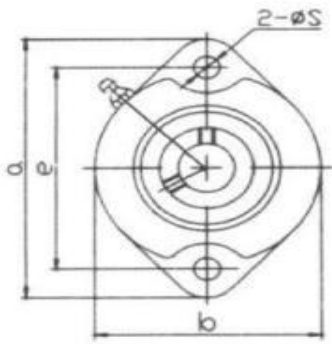
HCCJTZ200 SERIES

Bearing UNIT No.	Shaft Dia d mm	Dimensions (mm)										Bolt Used (mm)	Bearing No.	Housing No.	Housing weight kg
		a	e	i	b	J	g	l	S	f	Z				
HCCJTZ204	20	112.5	90	19	60.5	3.5	10	31.7	11.5	55	45.6	M10	HC204	CJTZ204	0.33
HCCJTZ205	25	124	99	19	70	3.5	12	26.5	11.5	60	45.9	M10	HC205	CJTZ205	0.39
HCCJTZ206	30	142	116.5	17	83	3	12	26	11.5	80	47.1	M10	HC206	CJTZ206	0.52
HCCJTZ207	35	155	130	17	94	4	12.5	26.5	14	90	49.3	M12	HC207	CJTZ207	0.67
HCCJTZ208	40	172	143.5	20	105	4	13	30.5	14	100	54.9	M12	HC208	CJTZ208	0.95
HCCJTZ209	45	180	148.5	20	111	4	13	31	14	105	54.9	M12	HC209	CJTZ209	1.05
HCCJTZ210	50	190	157	24	116	4	13	35	14	105	62.1	M12	HC210	CJTZ210	1.21
HCCJTZ212	60	238	202	30	138	4	16	42	18	130	76.8	M16	HC212	CJTZ212	1.9

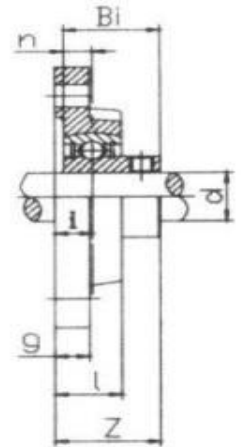
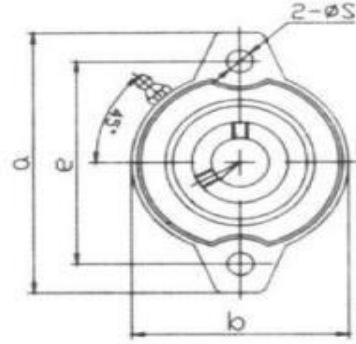
CHANGZHOU KADI INTERNATIONAL

Note: All mentioned names, Trademarks and Part No. are the property of their respective manufacturers, all consumables are not original, are manufactured and sold by KADI CO., reference to the original manufacturer is for convenience only.

TWO-BOLT FLANGE UNITS



SBLF200 SERIES



SBLFL0 SERIES

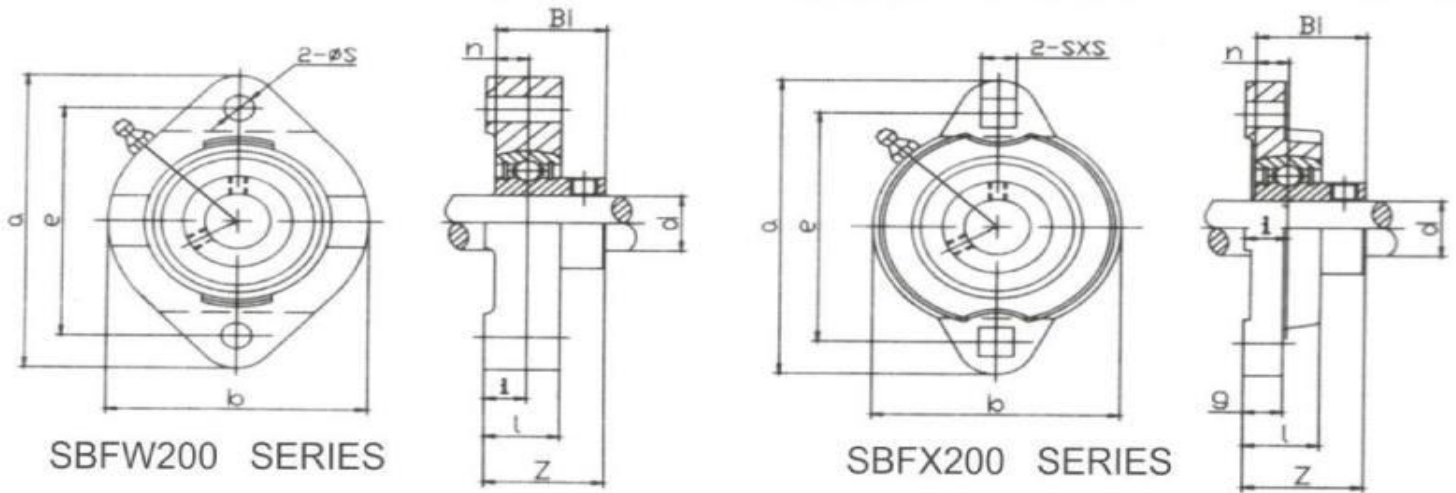
Bearing Unit No.	Shaft Dia d		Dimensions (mm)										Bolt Used		Bearing No.	Housing No.	Housing wt (kg)															
	(in)	(mm)	a	e	i	g	l	s	b	n	z	Bi	(mm)	(in)																		
SBLF201-8 202-9 202-10 203-11	1/2 9/16 5/8 11/16	12	81	63.5	9.5	9.5	18	8	56	6	25.5	24	M6	1/4	SB201-8 202-9 202-10 203-11	LF203	0.15															
SBLF201 202 203	15 17																	SB201 202 203														
SBLF204-12 SBLF204	3/4 20																	90	71.5	11	11	20	10	61	7	29	25	M8	5/16	SB204-12 SB204	LF204	0.2
SBLF205-14 205-15 205-16	7/8 15/16 1																	95	76	11	11	20	10	64	7.5	30.5	27	M8	5/16	SB205-14 205-15 205-16	LF205	0.3
SBLF205	25													SB205																		
SBLF206-18 206-19 206-20	1-1/8 1-3/16 1-1/4	30	113	90.5	12	12	22.5	12	76	8	34	29	M10	3/8	SB 206-18 206-19 206-20	LF206	0.36															
SBLF206																		SB206														
SBLF207-20 207-22 207-23	1-1/4 1-3/8 1-7/16																	122	100	13	13	24	12	89	8.5	36.5	32	M10	3/8	SB207-20 207-22 207-23	LF207	0.5
SBLF207	35																													SB207		

Bearing Unit No.	Shaft Dia d		Dimensions (mm)										Bolt Used		Bearing No.	Housing No.	Housing wt (kg)															
	(in)	(mm)	a	e	i	g	l	s	b	z	Bi	n	(mm)	(in)																		
SBLFL1-8 2-9 2-10 3-11	1/2 9/16 5/8 11/16	12	81	63.5	9.5	9.5	18	7	56	25.5	22	6	M6	1/4	SB201-8 202-9 202-10 203-11	LFL3	0.15															
SBLFL1 SBLFL2 SBLFL2	15 17																	SB201 202 203														
SBLFL4-12 SBLFL4	3/4 20																	90	71.5	11	11	20	10	63	29	25	7	M8	5/16	SB204-12 SB204	LFL4	0.2
SBLFL5-14 5-15 5-16	7/8 15/16 1																	95	76	11	11	20	10	69	30	27	7.5	M8	5/16	SB205-14 205-15 205-16	LFL5	0.26
SBLFL5	25													SB205																		
SBLFL6-18 6-19 6-20	1-1/8 1-3/16 1-1/4	30	113	90.5	12	12	22.5	12	79	34	30	8	M10	3/8	SB 206-18 206-19 206-20	LFL6	0.35															
SBLFL6																		SB206														
SBLFL7-20 7-22 7-23	1-1/4 1-3/8 1-7/16																	122	100	13	13	24	12	89	36.5	32	8.5	M10	3/8	SB207-20 207-22 207-23	LFL7	0.43
SBLFL7	35																													SB207		

CHANGZHOU KADI INTERNATIONAL

Note: All mentioned names, Trademarks and Part No. are the property of their respective manufacturers, all consumables are not original, are manufactured and sold by KADI CO., reference to the original manufacturer is for convenience only.

TWO-BOLT FLANGE UNITS



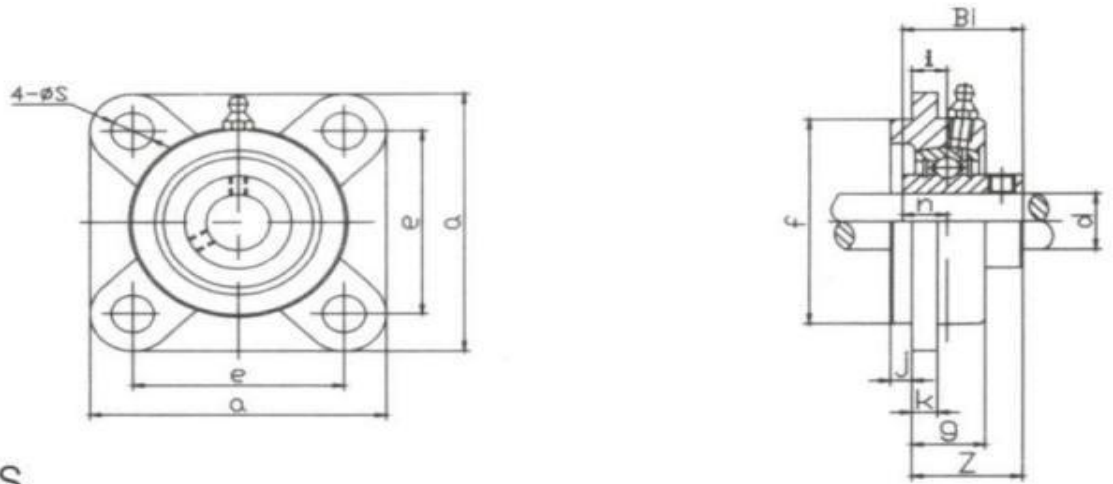
Bearing Unit No.	Shaft Dia d		Dimensions (mm)										Bolt Used		Bearing No.	Housing No.	Housing wt (kg)
	(in)	(mm)	a	e	i	l	s	b	z	Bi	n	(mm)	(in)				
SBFW201-8 202-9 202-10 203-11	1/2 9/16 5/8 11/16		81	63.5	8.5	15	7	58.7	24.5	22	6	M6	1/4	SB201-8 202-9 202-10 203-11	FW203	0.2	
SBFW201 202 SBFW-FD203		12 15 17			7.5		59							SB201 202 SA-SB203			
SBFW204-12 SBFW-FD204	3/4	20	90.5	71.4	9.5	17	9	66.5	27.5	25	7	M8	5/16	SB204-12 SA-SB204	FW204	0.25	
SBFW205-13 205-14 205-15 205-16	13/16 7/8 15/16 1		97	76.2	9.5	17.5	9	71	29	27	7.5	M8	5/16	SB205-13 205-14 205-15 205-16	FW205	0.3	
SBFW-FD205 SBFW206-17 206-18 206-19 206-20		25												SA-SB205 SB206-17 206-18 206-19 206-20	FW206	0.4	
SBFW-FD206 SBFW207-20 207-21 207-22 207-23	1-1/16 1-1/8 1-3/16 1-1/4	30	112.5	90.5	11.5	20.5	11.5	84	33.5	30	8	M10	3/8	SA-SB206 SB207-20 207-21 207-22 207-23	FW207	0.5	
SBFW-FD207 SBFW208-24 208-25 SBFW-FD208	1-1/4 1-1/2 1-9/16	35 40	126 148	100 119	12.5 13.5	22 25	11.5 13.5	94 104	36 39.5	32 34	8.5 9	M10 M12	3/8 7/16	SA-SB207 SB208-24 208-25 SA-SB208	FW208	0.8	

Bearing Unit No.	Shaft Dia d		Dimensions (mm)										Bolt Used		Bearing No.	Housing No.	Housing wt (kg)
	(in)	(mm)	a	e	i	l	s	g	b	z	Bi	n	(mm)	(in)			
SBFX201-8 202-9 202-10 203-11	1/2 9/16 5/8 11/16		81	63.5	9.5	18	8	9.5	56	25.5	22	6	M6	1/4	SB201-8 202-9 202-10 203-11	FX201 FX202 FX203	0.1
SBFX201 202 203		12 15 17													SB201 202 203		
SBFX204-12 SBFX204	3/4	20	90	71.5	11	20	10	11	61	28.7	24.7	7	M8	5/16	SB204-12 SB204	FX204	0.2
SBFX205-13 205-14 205-15 205-16	13/16 7/8 15/16 1		95	76	11	20	10	11	64	30.5	27	7.5	M8	5/16	SB205-13 205-14 205-15 205-16	FX205	0.2
SBFX205 SBFX206-17 206-18 206-19 206-20		25													SB205 SB206-17 206-18 206-19 206-20	FX206	0.3
SBFX206 SBFX207-20 207-21 207-22 207-23	1-1/16 1-1/8 1-3/16 1-1/4	30	113	90.5	12	22.5	12	12	76	34	30	8	M8	5/16	SB206 SB207-20 207-21 207-22 207-23	FX207	0.42
SBFX207 SB207	1-1/4 1-1/2 1-3/8 1-7/16	35	122	100	13	24	12	13	89	36.5	32	8.5	M8	5/16	SB207-20 207-21 207-22 207-23 SB207		

CHANGZHOU KADI INTERNATIONAL

Note: All mentioned names, Trademarks and Part No. are the property of their respective manufacturers, all consumables are not original, are manufactured and sold by KADI CO., reference to the original manufacturer is for convenience only.

FLANGE CARTRIDGE UNITS



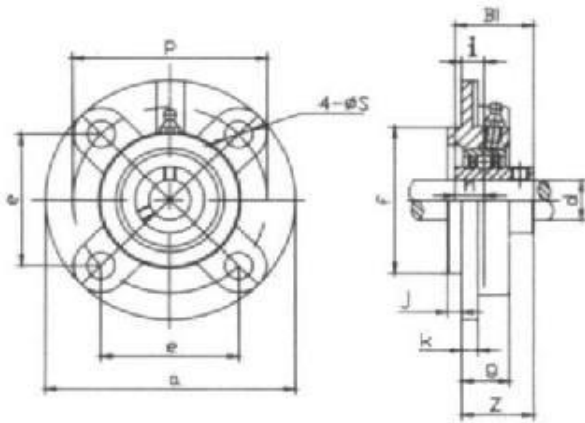
UCFS300 SERIES

Bearing Unit No.	Shaft d Dia		Dimensions (mm)											Bolt Used		Bearing No.	Housing No.	Housing wt (kg)
	(in)	(mm)	a	e	i	s	j	k	g	f	z	Bi	n	(mm)	(in)			
UCFS305-14 305-15 305-16 UCFS305	7/8 15/16 1	25	110	80	9	16	7	13	22	80	32	38	15	M14	1/2	UC305-14 305-15 305-16 UCFS305	FS305	0.82
UCFS306-18 306-19 UCFS306	1-1/8 1-3/16	30	125	95	10	16	8	15	24	90	36	43	17	M14	1/2	UC306-18 306-19 UC306	FS306	1.15
UCFS307-20 307-21 307-22 307-23 UCFS307	1-1/4 1-5/16 1-3/8 1-7/16	35	135	100	11	19	9	16	27	100	40	48	19	M16	5/8	UC307-20 307-21 307-22 307-23 UC307	FS307	1.45
UCFS308-24 308-25 UCFS308	1-1/2 1-9/16	40	150	112	13	19	10	17	30	115	46	52	19	M16	5/8	UC308-24 308-25 UC308	FS308	2.00
UCFS309-26 309-27 309-28 UCFS309	1-5/8 1-11/16 1-3/4	45	160	125	14	19	11	18	33	125	49	57	22	M16	5/8	UC309-26 309-27 309-28 UC309	FS309	2.35
UCFS310-30 310-31 UCFS310	1-7/8 1-15/16	50	175	132	16	23	12	19	36	140	55	61	22	M20	3/4	UC310-30 310-31 UC310	FS310	3.15
UCFS311-32 311-34 311-35 UCFS311	2 2-1/8 2-3/16	55	185	140	17	23	13	20	39	150	58	66	25	M20	3/4	UC311-32 311-33 311-35 UC311	FS311	3.60
UCFS312-36 312-38 312-39 UCFS312	2-1/4 2-3/8 2-7/16	60	195	150	19	23	14	22	42	160	64	71	26	M20	3/4	UC312-36 312-38 312-39 UC312	FS312	4.20
UCFS313-40 UCFS313	2-1/2	65	208	166	15	23	18	22	40	175	60	75	30	M20	3/4	UC313-40 UC313	FS313	5.00
UCFS314-44 UCFS314	2-3/4	70	226	178	18	25	18	25	43	185	63	78	33	M22	7/8	UC314-44 UC314	FS314	6.30
UCFS315-48 UCFS315	3	75	236	184	21	25	18	25	48	200	71	82	32	M22	7/8	UC315-48 UC315	FS315	7.40
UCFS316-50 UCFS316	3-1/8	80	250	196	18	31	20	27	48	210	70	86	34	M27	1	UC316-50 UC316	FS316	8.50
UCFS317-52 UCFS317	3-1/4	85	260	204	24	31	20	27	54	220	80	96	40	M27	1	UC317-52 UC317	FS317	9.20
UCFS318-56 UCFS318	3-1/2	90	280	216	24	35	20	30	56	240	80	96	40	M30	1-1/8	UC318-56 UC318	FS318	12.50
UCFS319-60 UCFS319	3-3/4	95	290	228	39	35	20	30	74	250	101	103	41	M30	1-1/8	UC319-60 UC319	FS319	14.50
UCFS320-64 UCFS320	4	100	310	242	39	38	20	32	74	260	105	108	42	M33	1-1/4	UC320-64 UC320	FS320	17.00
UCFS321	105	310	242	39	38	20	32	74	260	107	112	44	M33	1-1/4	UC321	FS321	14.00	
UCFS322	110	340	266	35	41	25	35	71	300	106	117	46	M36		UC322	FS322	21.50	
UCFS324	120	370	290	35	41	30	40	80	330	110	126	51	M36		UC324	FS324	30.00	
UCFS326	130	410	320	35	41	30	45	85	360	116	135	54	M36		UC326	FS326	41.50	
UCFS328	140	450	350	45	41	30	55	95	400	131	145	59	M36		UC328	FS328	61.50	

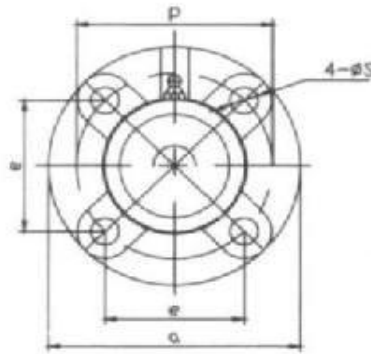
CHANGZHOU KADI INTERNATIONAL

Note: All mentioned names, Trademarks and Part No. are the property of their respective manufacturers, all consumables are not original, are manufactured and sold by KADI CO., reference to the original manufacturer is for convenience only.

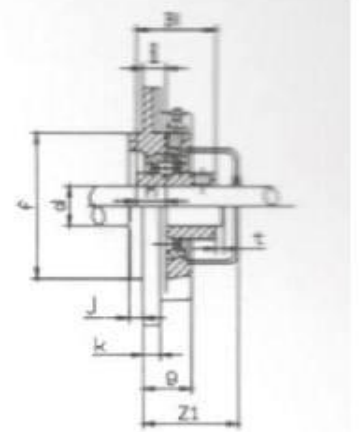
FLANGE CARTRIDGE UNITS



UCFC200 SERIES



SM-UCFC200 SERIES
S-UCFC200 SERIES

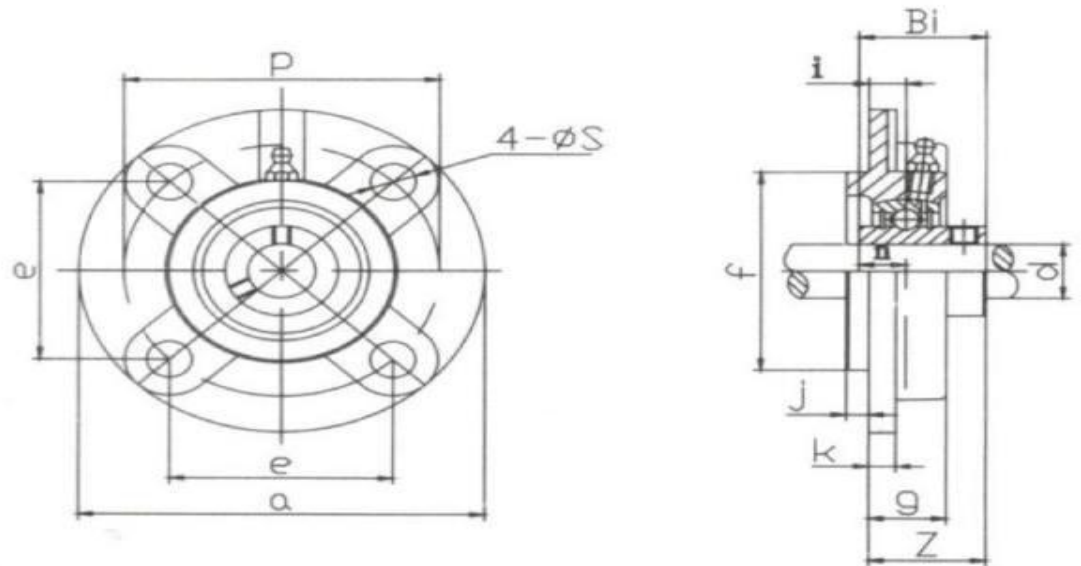


Bearing Unit No.	Shaft Dia d		Dimensions (mm)														Bolt Used		Bearing No.	Housing No.	Housing wt (kg)
	(in)	(mm)	a	p	e	i	s	j	k	g	f	t	z1	z	Bi	n	mm	in			
UCFC201-8 202-9 202-10 203-11 204-12	1/2 9/16 5/8 11/16 3/4		100	78	55.1	10	12	5	7	20.5	62	2	35.5	28.3	31	12.7	M10	3/8	UC201-8 202-9 202-10 203-11 204-12	FC204	0.55
UCFC201 202 203 204		12 15 17 20																	UC201 202 203 204		
UCFC205-13 205-14 205-15 205-16	13/16 7/8 15/16 1		115	90	63.6	10	12	6	7	21	70	2	38.5	29.7	34.1	14.3	M10	3/8	UC205-13 205-14 205-15 205-16	FC205	0.8
UCFC205		25																	UC205		
UCFC206-17 206-18 206-19 206-20	1-1/16 1-1/8 1-3/16 1-1/4		125	100	70.7	10	12	8	8	23	80	2	41	32.2	38.1	15.9	M10	3/8	UC206-17 206-18 206-19 206-20	FC206	1
UCFC206		30																	UC206		
UCFC207-20 207-21 207-22 207-23	1-1/4 1-5/16 1-3/8 1-7/16		135	110	77.8	11	14	8	9	26	90	3	47	36.4	42.9	17.5	M12	7/16	UC207-20 207-21 207-22 207-23	FC207	1.2
UCFC207		35																	UC207		
UCFC208-24 208-25	1-1/2 1-9/16		145	120	84.8	11	14	10	9	26	100	3	52	41.2	49.2	19	M12	7/16	UC208-24 208-25	FC208	1.45
UCFC208		40																	UC208		
UCFC209-26 209-27 209-28	1-5/8 1-11/16 1-3/4		160	132	93.3	10	16	12	14	26	105	3	51	40.2	49.2	19	M14	1/2	UC209-26 209-27 209-28	FC209	2.1
UCFC209		45																	UC209		
UCFC210-29 210-30 210-31 210-32	1-13/16 1-7/8 1-15/16 2		165	138	97.6	10	16	12	14	28	110	4	53.5	42.6	51.6	19	M14	1/2	UC210-29 210-30 210-31 210-32	FC210	2.1
UCFC210		50																	UC210		
UCFC211-32 211-33 211-34 211-35	2 2-1/16 2-1/8 2-3/16		185	150	106.1	13	19	12	15	31	125	4	59	46.4	55.6	22.2	M16	5/8	UC211-32 211-33 211-34 211-35	FC211	3.1
UCFC211		55																	UC211		
UCFC212-36 212-37 212-38 212-39	2-1/4 2-5/16 2-3/8 2-7/16		195	160	113.1	17	19	12	15	36	135	4	66	56.7	65.1	25.4	M16	5/8	UC212-36 212-37 212-38 212-39	FC212	3.2
UCFC212		60																	UC212		
UCFC213-40 213-41	2-1/2 2-9/16		205	170	120.2	16	19	14	15	36	145	4	69.5	55.7	65.1	25.4	M16	5/8	UC213-40 213-41	FC213	3.75
UCFC213		65																	UC213		
UCFC214-42 214-43 214-44	2-5/8 2-11/16 2-3/4		215	177	125.1	17	19	14	18	40	150			61.4	74.6	30.2	M16	5/8	UC214-42 214-43 214-44	FC214	4.75
UCFC214		70																	UC214		
UCFC215-45 215-46 215-47 215-48	2-13/16 2-7/8 2-15/16 3		220	184	130.1	18	19	16	18	40	160			62.5	77.8	33.3	M16	5/8	UC215-45 215-46 215-47 215-48	FC215	5
UCFC215		75																	UC215		
UCFC216-50 UCFC216	3-1/8		240	200	141.4	18	23	16	18	42	170			67.3	82.6	33.3	M20	3/4	UC216-50 UC216	FC216	6.1
UCFC217-52 UCFC217	3-1/4		250	208	147.1	18	23	18	20	45	180			69.6	85.7	34.1	M20	3/4	UC217-52 UC217	FC217	7.1
UCFC218-56 UCFC218	3-1/2		265	220	155.5	22	23	18	20	50	190			78.3	96	39.7	M20	3/4	UC218-56 UC218	FC218	8

CHANGZHOU KADI INTERNATIONAL

Note: All mentioned names, Trademarks and Part No. are the property of their respective manufacturers, all consumables are not original, are manufactured and sold by KADI CO., reference to the original manufacturer is for convenience only.

FLANGE CARTRIDGE UNITS



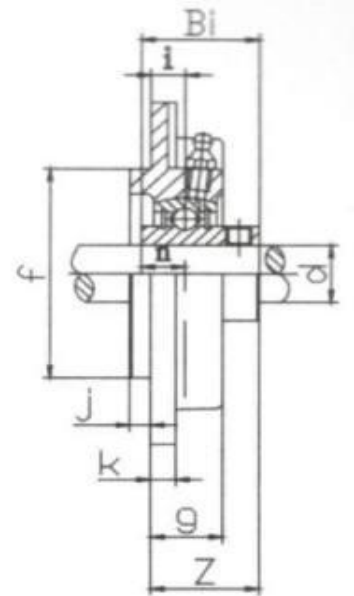
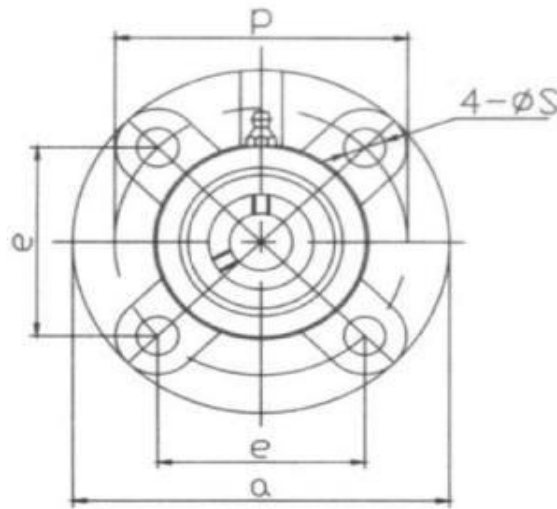
UCFCX00 SERIES

Bearing Unit No.	Shaft Dia d		Dimensions (mm)													Bolt Used		Bearing No.	Housing No.	Housing wt (kg)
	(in)	(mm)	a	p	e	i	s	j	k	g	f	z	Bi	n	(in)	(mm)				
UCFCX05-16 UCFCX05	1	25	111	92	65	10	9.5	6	9.5	24	76	32.2	38.1	15.9	5/16	M8	UCX05-16 UCX05	FCX05	1.1	
UCFCX06-19 X06-20 UCFCX06	1-3/16 1-1/4	30	127	105	74.2	8	12	9.5	9.5	22.5	85	33.4	42.9	17.5	3/8	M10	UCX06-19 X06-20 UCX06	FCX06	1.4	
UCFCX07-22 X07-23 UCFCX07	1-3/8 1-7/16	35	133	111	78.5	9	12	11	11	26	92	39.2	49.2	19	3/8	M10	UCX07-22 X07-23 UCX07	FCX07	1.8	
UCFCX08-24 UCFCX08	1-1/2	40	133	111	78.5	9	12	11	11	26	92	39.2	49.2	19	3/8	M10	UCX08-24 UCX08	FCX08	1.8	
UCFCX09-26 X09-27 X09-28 UCFCX09	1-5/8 1-11/16 1-3/4	45	155	130	91.9	8	14	12	11	25	108	40.6	51.6	19	7/16	M12	UCX09-26 X09-27 X09-28 UCX09	FCX09	2.5	
UCFCX10-31 X10-32 UCFCX10	1-15/16 2	50	162	136	96.2	7	14	16	11	25	118	40.4	55.6	22.2	7/16	M12	UCX10-31 X10-32 UCX10	FCX10	3	
UCFCX11-35 X11-36 UCFCX11	2-3/16 2-1/4	55	180	152	108	4	16	22	13	26	127	43.7	65.1	25.4	1/2	M14	UCX11-35 X11-36 UCX11	FCX11	4.1	
UCFCX12-38 X12-39 UCFCX12	2-3/8 2-7/16	60	194	165	117	11	16	20	14	33	140	50.7	75.1	25.4	1/2	M14	UCX12-38 X12-39 UCX12	FCX12	4.7	
UCFCX13-40 UCFCX13	2-1/2	65	194	165	117	11	16	20	14	33	140	55.4	74.6	30.2	1/2	M14	UCX13-40 UCX13	FCX13	5	
UCFCX14-44 UCFCX14	2-3/4	70	222	190	134	14	19	20	14	36	164	58.5	77.8	33.3	5/8	M16	UCX14-44 UCX14	FCX14	7.4	
UCFCX15-47 X15-48 UCFCX15	2-15/16 3	75	222	190	134	12	19	22	16	35	164	61.3	82.6	33.3	5/8	M16	UCX15-47 X15-48 UCX15	FCX15	7.5	
UCFCX16-50 UCFCX16	3-1/4	80	260	219	155	10	23	25	19	36	186	61.6	85.7	34.1	3/4	M20	UCX16-50 UCX16	FCX16	11.7	
UCFCX17-55 UCFCX17	3-7/16	85	260	219	155	10	23	25	19	36	186	66.3	96	39.7	3/4	M20	UCX17-55 UCX17	FCX17	11.3	
UCFCX18		90	260	219	155	12	23	28	19	43	186	73.1	104	42.9	3/4	M20	UCX18	FCX18	11.4	
UCFCX20		100	276	238	168	22	23	28	22	66	206	90.3	118	49.2	3/4	M20	UCX20	FCX20	16.1	

CHANGZHOU KADI INTERNATIONAL

Note: All mentioned names, Trademarks and Part No. are the property of their respective manufacturers, all consumables are not original, are manufactured and sold by KADI CO., reference to the original manufacturer is for convenience only.

FLANGE CARTRIDGE UNITS



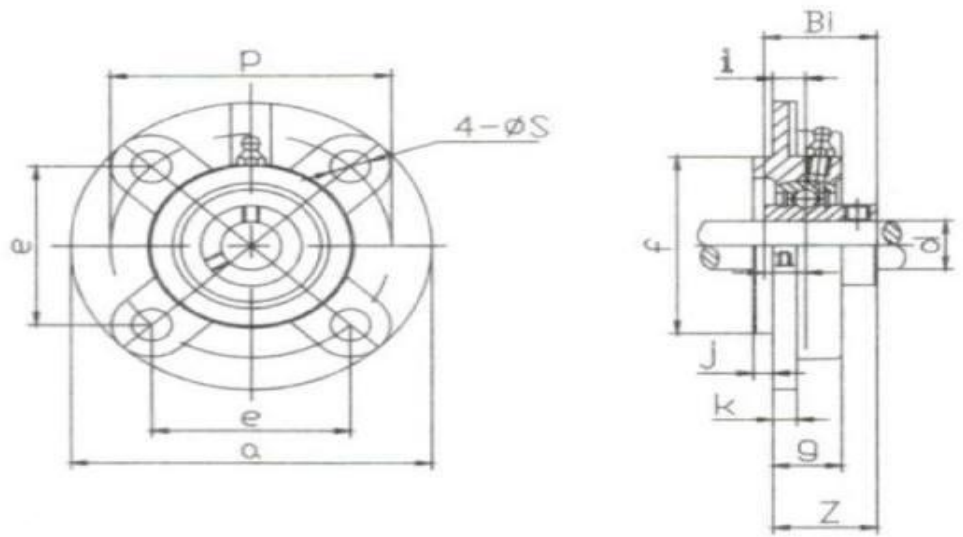
UCFCSX00 SERIES

Bearing Unit No.	Shaft Dia d		Dimensions (mm)													Bolt Used		Bearing No.	Housing No.	Housing wt (kg)
	(in)	(mm)	a	p	e	i	s	j	k	g	f	z	Bi	n	(in)	(mm)				
UCFCSX05-16 UCFCSX05	1	25	111	92	65	10	9.5	6.4	9.5	24	76.2	32.2	38.1	15.9	5/16	M8	UCX05-16 UCX05	FCSX05	1.02	
UCFCSX06-19 X06-20 UCFCSX06	1-3/16 1-1/4	30	127	105	74.2	8	12	9.5	9.5	22	85.7	33.4	42.9	17.5	3/8	M10	UCX06-19 X06-20 UCX06	FCSX06	1.46	
UCFCSX07-22 X07-23 UCFCSX07	1-3/8 1-7/16	35	133	111	78.5	9	12	11.1	11	26	92	39.2	49.2	19	3/8	M10	UCX07-22 X07-23 UCX07	FCSX07	1.94	
UCFCSX08-24 UCFCSX08	1-1/2	40	133	111	78.5	9	12	11.1	11	26	92	39.2	49.2	19	3/8	M10	UCX08-24 UCX08	FCSX08	2.4	
UCFCSX09-26 X09-27 X09-28 UCFCSX09	1-5/8 1-11/16 1-3/4	45	156	130	92	8	14	11.9	11	25	108	40.6	51.6	19	7/16	M12	UCX09-26 X09-27 X09-28 UCX09	FCSX09	2.8	
UCFCSX10-31 X10-32 UCFCSX10	1-15/16 2	50	162	137	96.2	7	14	15.9	11	25	114	40.4	55.6	22.2	7/16	M12	UCX10-31 X10-32 UCX10	FCSX10	3.06	
UCFCSX11-35 X11-36 UCFCSX11	2-3/16 2-1/4	55	181	152	108	4	16	22.2	12.7	26	127	43.7	65.1	25.4	1/2	M14	UCX11-35 X11-36 UCX11	FCSX11	4.3	
UCFCSX12-38 X12-39 UCFCSX12	2-3/8 2-7/16	60	194	165	117	11	16	19.8	14.3	33	140	50.7	65.1	25.4	1/2	M14	UCX12-38 X12-39 UCX12	FCSX12	5.6	
UCFCSX13-40 UCFCSX13	2-1/2	65	194	165	117	11	16	19.8	14.3	33	140	55.4	74.6	30.2	1/2	M14	UCX13-40 UCX13	FCSX13	5.8	
UCFCSX14-44 UCFCSX14	2-3/4	70	222	191	134	14	19	19.8	14.3	36	162	58.5	77.8	33.3	5/8	M16	UCX14-44 UCX14	FCSX14	7.7	
UCFCSX15-47 X15-48 UCFCSX15	2-15/16 3	75	222	191	134	12	19	22	15.9	35	162	61.3	82.6	33.3	5/8	M16	UCX15-47 X15-48 UCX15	FCSX15	8.3	
UCFCSX16-50 UCFCSX16	3-1/4	80	260	219	155	10	23	25.4	19	36	187	61.6	85.7	34.1	3/4	M20	UCX16-50 UCX16	FCSX16	10.6	
UCFCSX17-55 UCFCSX17	3-7/16	85	260	219	155	10	23	25.4	19	36	187	66.3	96	39.7	3/4	M20	UCX17-55 UCX17	FCSX17	11.2	
UCFCSX18		90	260	219	155	12	23	27.8	19	43	187	73.1	104	42.9	3/4	M20	UCX18	FCSX18	11.9	
UCFCSX20		100	276	238	168	22	23	27.8	22.2	66	206	90.3	118	49.2	3/4	M20	UCX20	FCSX20	18.4	

CHANGZHOU KADI INTERNATIONAL

Note: All mentioned names, Trademarks and Part No. are the property of their respective manufacturers, all consumables are not original, are manufactured and sold by KADI CO., reference to the original manufacturer is for convenience only.

FLANGE CARTRIDGE UNITS



UCFCS200 SERIES
UCFCF200 SERIES

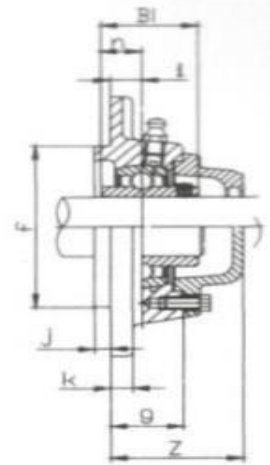
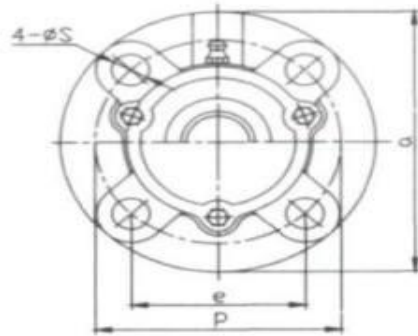
Bearing Unit No.	Shaft Dia		Dimensions (mm)											Bolt Used		Bearing No.	Housing No.	Housing wt (kg)	
	(in)	(mm)	a	p	e	i	s	J	k	g	f	z	Bi	n	mm				in
UCFCS206-17 206-18 206-19 206-20	1-1/16 1-1/8 1-3/16 1-1/4	30	111	92	65	10	9.5	6.4	9.5	24	76.2	31.7	38.1	15.9	M8	5/16	UC206-17 206-18 206-19 206-20	FCS206	1.04
UCFCS207-20 207-21 207-22 207-23	1-1/4 1-5/16 1-3/8 1-7/16	35	127	105	74.3	8	12	9.5	9.5	22	85.7	32.9	42.9	17.5	M10	3/8	UC207-20 207-21 207-22 207-23	FCS207	1.43
UCFCS208-24 208-25	1-1/2 1-9/16	40	134	111	78.5	9	12	11	11	26	92	38.6	49.2	19	M10	3/8	UC208-24 UC208-25	FCS208	1.68
UCFCS209-26 209-27 209-28	1-5/8 1-11/16 1-3/4	45	155	130	92	5.5	14	12	12	22	108	35.2	49.2	19	M12	7/16	UC209-26 209-27 209-28	FCS209	1.73
UCFCS210-29 210-30 210-31 210-32	1-13/16 1-7/8 1-15/16 2	50	155	130	92	8	14	12	11	25	108	40	51.6	19	M12	7/16	UC210-29 210-30 210-31 210-32	FCS210	2.36
UCFCS211-32 211-33 211-34 211-35	2 2-1/16 2-1/8 2-3/16	55	162	137	96.9	7	14	16	11	25	114	39.8	55.6	22.2	M12	7/16	UC211-32 211-33 211-34 211-35	FCS211	2.72
UCFCS212-36 212-37 212-38 212-39	2-1/4 2-5/16 2-3/8 2-7/16	60	180	152	108	4	16	22	13	26	127	43	65.1	25.4	M14	1/2	UC212-36 212-37 212-38 212-39	FCS212	3.74
UCFCS213-40 213-41	2-1/2 2-9/16	65	193	165	117	11	16	20	15	33	140	49.9	65.1	25.4	M14	1/2	UC213-40 UC213-41	FCS213	4.34

Bearing Unit No.	Shaft Dia		Dimensions (mm)											Bolt Used		Bearing No.	Housing No.	Weight (kg)	
	(in)	(mm)	a	p	e	i	s	J	k	g	f	z	Bi	n	mm				in
UCFCF205-13 205-14 205-15 205-16	13/16 7/8 15/16 1	25	111	92	65.1	11	10.3	6.4	9.5	22	76.2	30.8	34.1	14.3	M8	5/16	UC205-13 205-14 205-15 205-16	FCF205	0.99
UCFCF206-17 206-18 206-19 206-20	1-1/16 1-1/8 1-3/16 1-1/4	30	127	105	74.2	7.5	12	11	9.5	20	85.7	29.7	38.1	15.9	M10	3/8	UC206-17 206-18 206-19 206-20	FCF206	1.36
UCFCF207-20 207-21 207-22 207-23	1-1/4 1-5/16 1-3/8 1-7/16	35	133	111	78.5	7.1	12	12	13	22	92	32.5	42.9	17.5	M10	3/8	UC207-20 207-21 207-22 207-23	FCF207	1.76
UCFCF208-24 208-25	1-1/2 1-9/16	40	133	111	78.5	9.5	12	12	13	26	92	39.7	49.2	19	M10	3/8	UC208-24 208-25	FCF208	1.93
UCFCF209-26 209-27 209-28	1-5/8 1-11/16 1-3/4	45	156	130	92	5.6	13.5	12	11.5	22	108	37.6	49.2	19	M12	7/16	UC209-26 209-27 209-28	FCF209	2.38
UCFCF210-29 210-30 210-31 210-32	1-13/16 1-7/8 1-15/16 2	50	162	137	96.5	8.7	13.5	16	13	27	114	41.3	51.6	19	M12	7/16	UC210-29 210-30 210-31 210-32	FCF210	2.93
UCFCF211-32 211-33 211-34 211-35	2 2-1/16 2-1/8 2-3/16	55	181	152	108	5.6	15	22.2	13	22.2	127	39	55.6	22.2	M12	7/16	UC211-32 211-33 211-34 211-35	FCF211	3.67

CHANGZHOU KADI INTERNATIONAL

Note: All mentioned names, Trademarks and Part No. are the property of their respective manufacturers, all consumables are not original, are manufactured and sold by KADI CO., reference to the original manufacturer is for convenience only.

FLANGE CARTRIDGE UNITS



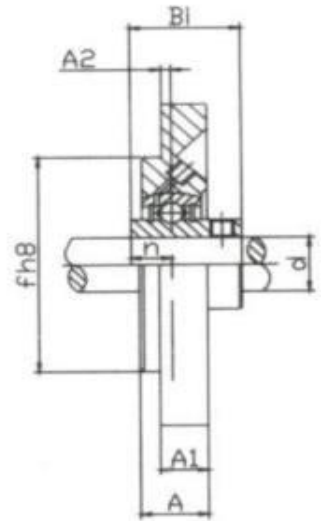
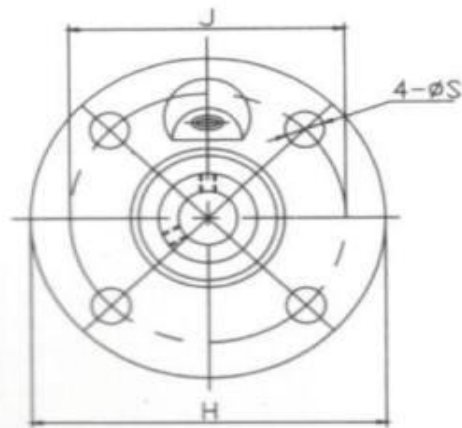
UCCFC200 SERIES

Bearing Unit No.	Shaft Dia		Dimensions (mm)													Bolt Used		Bearing No.	Housing No.	Housing wt (kg)
	(in)	(mm)	a	p	e	i	s	J	k	g	f	z	Bi	n	mm	in				
UCCFC201-8 202-9 202-10 203-11 204-12	1/2 9/16 5/8 11/16 3/4		100	78	55.1	10	12	5	7	20.5	62	41	31	12.7	M10	3/8	UC201-8 202-9 202-10 203-11 204-12	CFC201 CFC202 CFC203 CFC204	1.04	
UCCFC201 202 203 204		12 15 17 20															UC201 202 203 204			
UCCFC205-13 205-14 205-15 205-16	13/16 7/8 15/16 1		115	90	63.6	10	12	6	7	21	70	45	34	14.3	M10	3/8	UC205-13 205-14 205-15 205-16	CFC205	1.31	
UCCFC205 206-17 206-18 206-19 206-20		25															UC205 UC206-17 206-18 206-19 206-20			
UCCFC206-17 206-18 206-19 206-20	1-1/16 1-1/8 1-3/16 1-1/4		125	100	70.7	10	12	8	8	23	90	47	38.1	15.9	M10	3/8	UC206-17 206-18 206-19 206-20	CFC206	1.69	
UCCFC206 207-21 207-22 207-23		30															UC206 UC207-21 207-22 207-23			
UCCFC207 207-21 207-22 207-23	1-1/4 1-5/16 1-3/8 1-7/16		135	110	77.8	11	14	8	9	26	90	51	42.9	17.5	M12	7/16	UC207-21 207-22 207-23	CFC207	1.91	
UCCFC207 208-24 208-25		35															UC207 UC208-24 208-25			
UCCFC208 209-26 209-27 209-28	1-1/2 1-9/16		145	120	84.8	11	14	10	9	26	100	56	49.2	19	M12	7/16	UC208-24 208-25 UC208	CFC208	2.17	
UCCFC208 209-26 209-27 209-28		40															UC208 UC209-26 209-27 209-28			
UCCFC209 209-26 209-27 209-28	1-5/8 1-11/16 1-3/4		160	132	93.3	10	16	12	14	26	105	55	49.2	19	M14	1/2	UC209-26 209-27 209-28	CFC209	3.02	
UCCFC209 210-29 210-30 210-31 210-32		45															UC209 UC210-29 210-30 210-31 210-32			
UCCFC210 211-32 211-33 211-34 211-35	1-13/16 1-7/8 1-15/16 2		165	138	97.6	10	16	12	14	28	110	59	51.6	19	M14	1/2	UC210-29 210-30 210-31 210-32	CFC210	3.41	
UCCFC210 211-32 211-33 211-34 211-35		50															UC210 UC211-32 211-33 211-34 211-35			
UCCFC211 212-36 212-37 212-38 212-39	2 2-1/16 2-1/8 2-3/16		185	150	106.1	13	19	12	15	31	125	63	55.6	22.2	M16	5/8	UC211-32 211-33 211-34 211-35	CFC211	3.96	
UCCFC211 212-36 212-37 212-38 212-39		55															UC211 UC212-36 212-37 212-38 212-39			
UCCFC212 213-40 213-41	2-1/4 2-5/16 2-3/8 2-7/16		195	160	113.1	17	19	12	15	36	135	74	65.1	25.4	M16	5/8	UC212-36 212-37 212-38 212-39	CFC212	4.53	
UCCFC212 213-40 213-41		60															UC212 UC213-40 213-41			
UCCFC213 214-42 214-43 214-44	2-1/2 2-9/16		205	170	120.2	16	19	14	15	36	145	75	65.1	25.4	M16	5/8	UC213-40 213-41 UC213	CFC213	5.27	
UCCFC213 214-42 214-43 214-44		65															UC213 UC214-42 214-43 214-44			
UCCFC214 215-45 215-46 215-47 215-48	2-5/8 2-11/16 2-3/4		215	177	125.1	17	19	14	18	40	150	84	74.6	30.2	M16	5/8	UC214-42 214-43 214-44 UC214	CFC214	6.12	
UCCFC214 215-45 215-46 215-47 215-48		70															UC214 UC215-45 215-46 215-47 215-48			
UCCFC215 216-50 216-51	2-13/16 2-7/8 2-15/16 3		220	184	130.1	18	19	16	18	40	160	86	77.8	33.3	M16	5/8	UC215-45 215-46 215-47 215-48	CFC215	6.55	
UCCFC215 216-50 216-51		75															UC215 UC216-50 UC216			
UCCFC216 217-52 217-53	3-1/8 3-1/4		240	200	141.4	18	23	16	18	42	170	91	82.6	33.3	M20	3/4	UC216-50 UC216 UC217-52 UC217	CFC216 CFC217	8.44 9.38	
UCCFC216 217-52 217-53		80															UC216 UC217-52 UC217			
UCCFC217 218-56 218-57	3-1/2		250	208	147.1	18	23	18	20	45	180	93	85.7	34.1	M20	3/4	UC217-52 UC217	CFC217	9.38	
UCCFC217 218-56 218-57		85															UC217 UC218-56 UC218			
UCCFC218 218-56 218-57		90	265	220	155.5	22	23	18	20	50	190	104	96	39.7	M20	3/4	UC218-56 UC218	CFC218	11.5	

CHANGZHOU KADI INTERNATIONAL

Note: All mentioned names, Trademarks and Part No. are the property of their respective manufacturers, all consumables are not original, are manufactured and sold by KADI CO., reference to the original manufacturer is for convenience only.

FLANGE CARTRIDGE UNITS



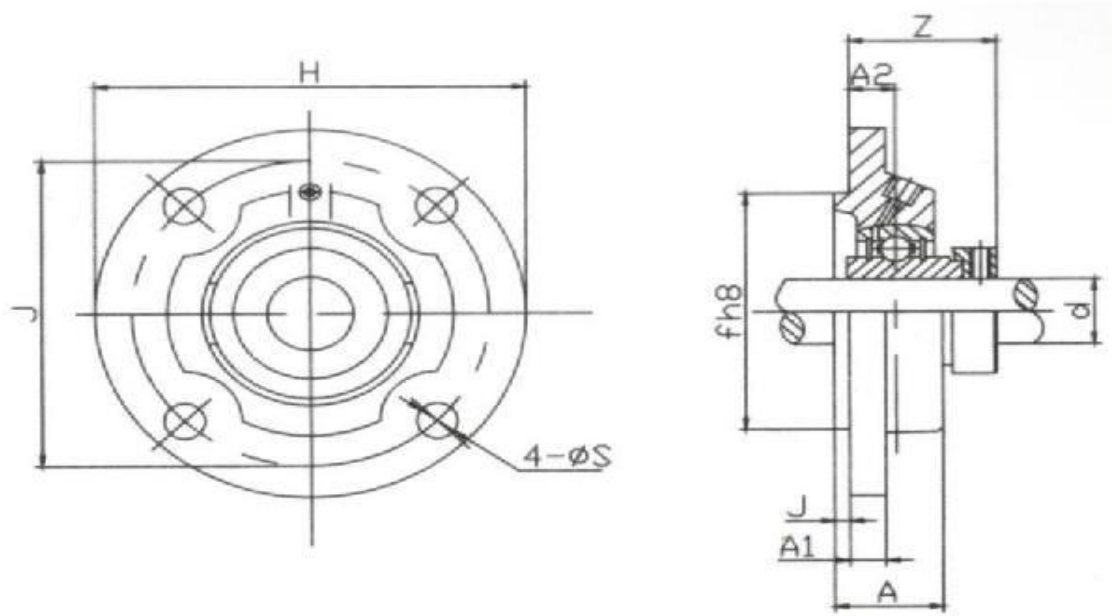
UCME200 SERIES

Bearing Unit No.	Shaft Dia d mm	Dimensions (mm)									Bolt Used (mm)	Bearing No.	Housing No.	Housing weight kg
		H	J	A2	A1	A	S	f	Bi	n				
UCME204	20	100	78	2	8	17	9	62	31	12.7	M8	UC204	ME204	0.37
UCME205	25	115	90	2.5	9	19	9	70	34	14.3	M8	UC205	ME205	0.55
UCME206	30	125	100	2	9.5	20.5	11.5	80	38.1	15.9	M10	UC206	ME206	0.66
UCME207	35	135	110	1	10	20.5	11.5	90	42.9	17.5	M10	UC207	ME207	0.79
UCME208	40	145	120	1	11.5	23	11.5	100	49.2	19	M10	UC208	ME208	1
UCME209	45	155	130	2	12	25	14	105	49.2	19	M12	UC209	ME209	1.24
UCME210	50	165	135	1	13	25	14	110	51.6	19	M12	UC210	ME210	1.53
UCME211	55	185	150	0	15	27.5	18	125	55.6	22.2	M16	UC211	ME211	1.95
UCME212	60	195	160	1	16	29	18	135	65.1	25.4	M16	UC212	ME212	2.15
UCME214	70	215	177	0	18	32	18	150	74.6	30.2	M16	UC214	ME214	3.15
UCME215	75	220	184	0	18	32	18	160	77.8	33.3	M16	UC215	ME215	3
UCME216	80	220	184	-2	18	31	18	160	82.6	33.3	M16	UC206	ME216	2.8
UCME218	90	265	220	-4	20	32	23	190	96	39.7	M20	UC218	ME218	5.1

CHANGZHOU KADI INTERNATIONAL

Note: All mentioned names, Trademarks and Part No. are the property of their respective manufacturers, all consumables are not original, are manufactured and sold by KADI CO., reference to the original manufacturer is for convenience only.

FLANGE CARTRIDGE UNITS



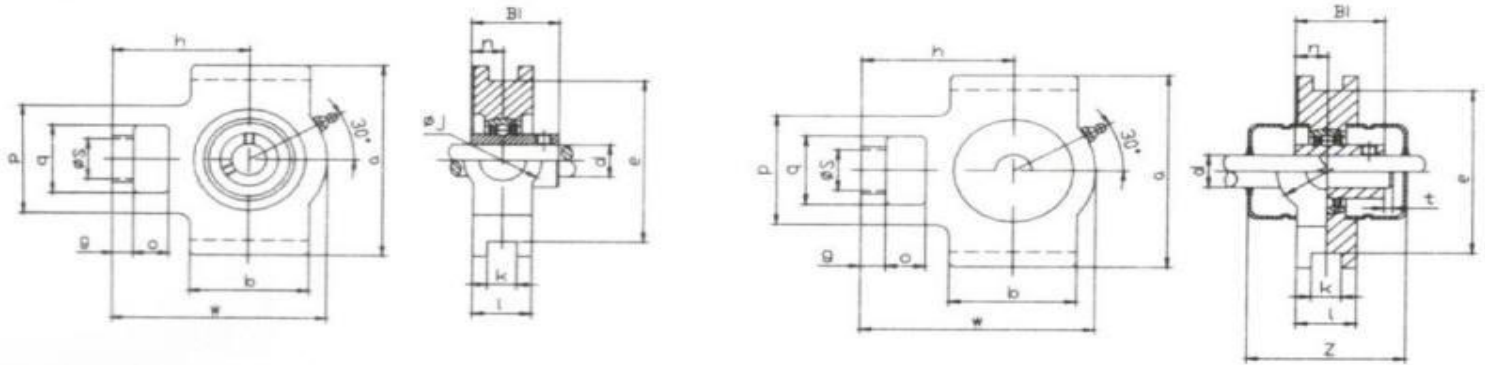
HCFE200 SERIES

Bearing Unit No.	Shaft Dia d mm	Dimensions (mm)								Bolt Used (mm)	Bearing No.	Housing No.	Housing weight kg
		H	J	A2	A1	A	S	f	Z				
HCFE205	25	115	92	9.5	9	22	9	75	36.4	M8	HC205	FE205	0.55
HCFE206	30	127	105	10.5	9.5	22.5	9	85	40.6	M8	HC206	FE206	0.7
HCFE207	35	135	110	9	10	22.5	11.5	90	41.3	M10	HC207	FE207	0.75
HCFE208	40	145	120	11.5	11.5	26	11.5	100	46.4	M10	HC208	FE208	0.98
HCFE209	45	155	130	11.5	12	26.5	14	105	46.4	M12	HC209	FE209	1.25
HCFE210	50	165	136	12.5	13	27.5	14	115	50.6	M12	HC210	FE210	1.48
HCFE212	60	195	165	17	16	33	14	140	63.8	M12	HC212	FE212	2.15

CHANGZHOU KADI INTERNATIONAL

Note: All mentioned names, Trademarks and Part No. are the property of their respective manufacturers, all consumables are not original, are manufactured and sold by KADI CO., reference to the original manufacturer is for convenience only.

TAKE-UP UNITS



UCT200 SERIES

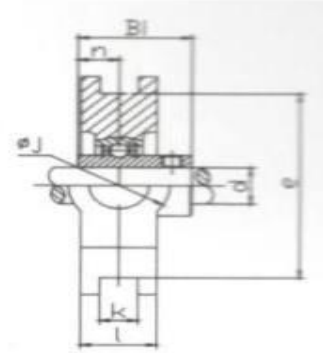
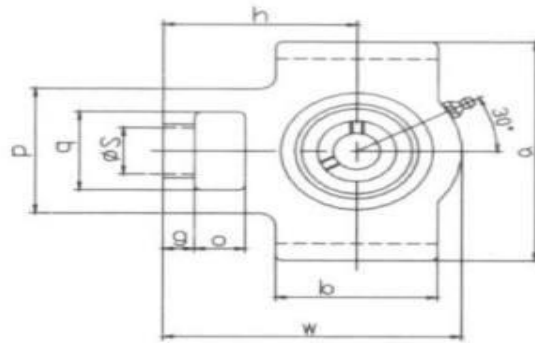
SM-UCT200 SERIES S-UCT200 SERIES

Bearing Unit No.	Shaft Dia		Dimensions (mm)																	Bearing No.	Housing No.	Weight (kg)
	(in)	(mm)	o	g	p	q	s	b	k	e	a	w	j	l	h	t	z	Bi	n			
UCT201-8 202-9 202-10 203-11 204-12	1/2 9/16 5/8 11/16 3/4	12	16	10	51	32	19	51	12	76	89	94	32	21	61	2	51	31	12.7	UC201-8 202-9 202-10 203-11 204-12	T204	0.56
UCT201 202 203 204	15 17 20																			UC201 202 203 204		
UCT205-13 205-14 205-15 205-16	13/16 7/8 15/16 1	25	16	10	51	32	19	51	12	76	89	97	32	24	62	2	57	34.1	14.3	UC205-13 205-14 205-15 205-16	T205	0.63
UCT205																				UC205		
UCT206-17 206-18 206-19 206-20	1-1/16 1-1/8 1-3/16 1-1/4	30	16	10	56	37	22	57	12	89	102	113	37	28	70	2	62	38.1	15.9	UC206-17 206-18 206-19 206-20	T206	0.95
UCT206																				UC206		
UCT207-20 207-21 207-22 207-23	1-1/4 1-5/16 1-3/8 1-7/16	35	16	13	64	37	22	64	12	89	102	129	37	30	78	3	72	42.9	17.5	UC207-20 207-21 207-22 207-23	T207	1.09
UCT207																				UC207		
UCT208-24 208-25	1-1/2 1-9/16	40	19	16	83	49	29	83	16	102	114	144	49	33	88	3	82	49.2	19	UC208-24 208-25	T208	1.72
UCT208																				UC208		
UCT209-26 209-27 209-28	1-5/8 1-11/16 1-3/4	45	19	16	83	49	29	83	16	102	117	144	49	35	87	3	82	49.2	19	UC209-26 209-27 209-28	T209	1.75
UCT209																				UC209		
UCT210-29 210-30 210-31 210-32	1-13/16 1-7/8 1-15/16 2	50	19	16	83	49	29	86	16	102	117	149	49	37	90	3	87	51.6	19	UC210-29 210-30 210-31 210-32	T210	1.75
UCT210																				UC210		
UCT211-32 211-33 211-34 211-35	2 2-1/16 2-1/8 2-3/16	55	25	19	102	64	35	95	22	130	146	171	64	38	106	4	92	55.6	22.2	UC211-32 211-33 211-34 211-35	T211	2.8
UCT211																				UC211		
UCT212-36 212-37 212-38 212-39	2-1/4 2-5/16 2-3/8 2-7/16	60	32	19	102	64	35	102	22	130	146	194	64	42	119	4	102	65.1	25.4	UC212-36 212-37 212-38 212-39	T212	3.4
UCT212																				UC212		
UCT213-40 213-41	2-1/2 2-9/16	65	32	21	111	70	41	121	26	151	167	224	70	44	137	4	107	65.1	25.4	UC213-40 213-41	T213	5
UCT213																				UC213		
UCT214-42 214-43 214-44	2-5/8 2-11/16 2-3/4	70	32	21	111	70	41	121	26	151	167	224	70	46	137			74.6	30.2	UC214-42 214-43 214-44	T214	4.7
UCT214																				UC214		
UCT215-45 215-46 215-47 215-48	2-13/16 2-7/8 2-15/16 3	75	32	21	111	70	41	121	26	151	167	232	70	48	140			77.8	33.3	UC215-45 215-46 215-47 215-48	T215	5.1
UCT215																				UC215		
UCT216-50 UCT216	3-1/8	80	32	21	111	70	41	121	26	165	184	235	70	51	140			82.6	33.3	UC216-50 UCT216	T216	5.5
UCT217-52 UCT217	3-1/4	85	38	29	124	73	48	157	30	173	198	260	73	54	162			85.7	34.1	UC217-52 UCT217	T217	7.4
UCT218-56 UCT218	3-1/2	90	40	30	130	80	48	140	30	190	215	275	80	55	170			96	39.7	UC218-56 UCT218	T218	10.2

CHANGZHOU KADI INTERNATIONAL

Note: All mentioned names, Trademarks and Part No. are the property of their respective manufacturers, all consumables are not original, are manufactured and sold by KADI CO., reference to the original manufacturer is for convenience only.

TAKE-UP UNITS



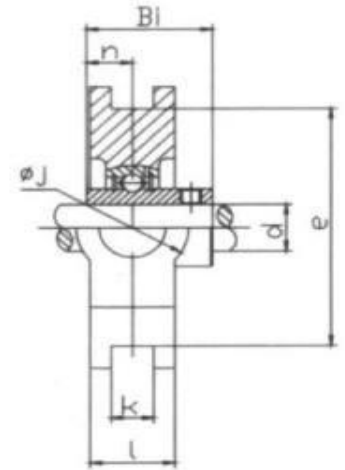
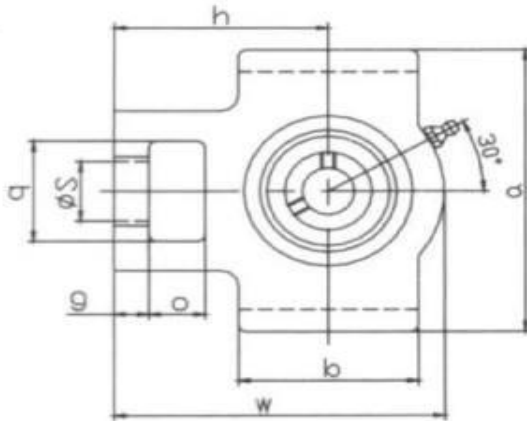
UCT300 SERIES

Bearing Unit No.	Shaft Dia d		Dimensions (mm)															Bearing No.	Housing No.	Housing weight (kg)
	(in)	(mm)	a	g	p	q	s	b	k	e	a	w	j	l	h	BI	n			
UCT305-14 305-15 305-16 UCT305	7/8 15/16 1	25	16	12	62	36	26	65	12	80	89	122	36	26	76	38	15	UC305-14 305-15 305-16 UC305	T305	1.05
UCT306-18 306-19 UCT306	1-1/8 1-3/16	30	18	14	70	41	28	74	16	90	100	137	41	28	85	43	17	UC306-18 306-19 UC306	T306	1.24
UCT307-20 307-21 307-22 307-23 UCT307	1-1/4 1-5/16 1-3/8 1-7/16	35	20	15	75	45	30	80	16	100	111	150	45	32	94	48	19	UC307-20 307-21 307-22 307-23 UC307	T307	1.69
UCT308-24 308-25 UCT308	1-1/2 1-9/16	40	22	17	83	50	32	89	18	112	124	162	50	34	100	52	19	UC308-24 308-25 UC308	T308	2.04
UCT309-26 309-27 309-28 UCT309	1-5/8 1-11/16 1-3/4	45	24	18	90	55	34	97	18	125	138	178	55	38	110	57	22	UC309-26 309-27 309-28 UC309	T309	2.72
UCT310-30 310-31 UCT310	1-7/8 1-15/16	50	27	20	98	61	37	106	20	140	151	191	61	40	117	61	22	UC310-30 310-31 UC310	T310	3.35
UCT311-32 311-34 311-35 UCT311	2 2-1/8 2-3/16	55	29	21	105	66	39	115	22	150	163	207	66	44	127	66	25	UC311-32 311-34 311-35 UC311	T311	4.33
UCT312-36 312-38 312-39 UCT312	2-1/4 2-3/8 2-7/16	60	31	23	113	71	41	123	22	160	178	220	71	46	135	71	26	UC312-36 312-38 312-39 UC312	T312	5
UCT313-40 UCT313	2-1/2	65	32	25	116	71	43	134	26	170	190	238	80	50	146	75	30	UC313-40 UC313	T313	6
UCT314-44 UCT314	2-3/4	70	36	25	130	85	46	140	26	180	202	252	90	52	155	78	33	UC314-44 UC314	T314	7.05
UCT315-48 UCT315	3	75	36	25	132	85	46	150	26	192	216	262	90	55	160	82	32	UC315-48 UC315	T315	9.28
UCT316-50 UCT316	3-1/8	80	42	28	150	98	53	160	30	204	230	282	102	60	174	86	34	UC316-50 UC316	T316	10.03
UCT317-52 UCT317	3-1/4	85	42	30	152	98	53	170	32	214	240	298	102	64	183	96	40	UC317-52 UC317	T317	13.3
UCT318-56 UCT318	3-1/2	90	46	30	160	106	57	175	32	228	255	312	110	66	192	96	40	UC318-56 UC318	T318	14.1
UCT319-60 UCT319	3-3/4	95	46	31	165	106	57	180	35	240	270	322	110	72	197	103	41	UC319-60 UC319	T319	16.3
UCT320-64 UCT320	4	100	48	32	175	115	59	200	35	260	290	345	120	75	210	108	42	UC320-64 UC320	T320	21.2
UCT321		105	48	32	175	115	59	200	35	260	290	345	120	75	210	112	44	UC321	T321	19.8
UCT322		110	52	38	185	125	65	215	38	285	320	385	130	80	235	117	46	UC322	T322	25.7
UCT324		120	60	42	210	140	70	230	45	320	355	432	140	90	267	126	51	UC324	T324	36.5
UCT326		130	65	45	220	150	75	240	50	350	385	465	150	100	285	135	54	UC326	T326	46
UCT328		140	70	50	230	160	80	255	50	380	415	515	155	100	315	145	59	UC328	T328	55.5

CHANGZHOU KADI INTERNATIONAL

Note: All mentioned names, Trademarks and Part No. are the property of their respective manufacturers, all consumables are not original, are manufactured and sold by KADI CO., reference to the original manufacturer is for convenience only.

TAKE-UP UNITS



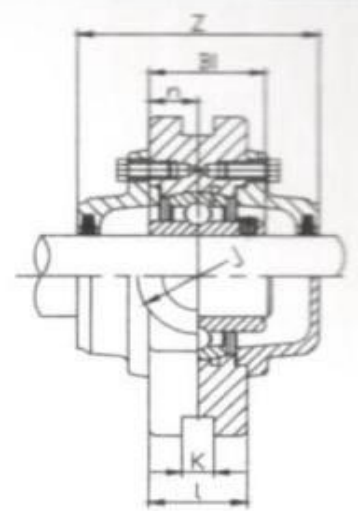
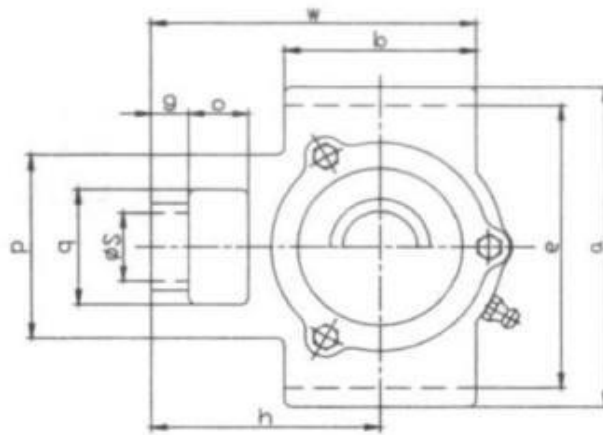
UCTX00 SERIES

Bearing Unit No.	Shaft Dia d		Dimensions (mm)															Bearing No.	Housing No.	Housing Wt (kg)
	(in)	(mm)	o	g	p	q	s	b	k	e	a	w	j	l	h	Bi	n			
UCTX05-14 X05-15 X05-16 UCTX05	7/8 15/16 1	25	16	10	56	37	22	57	12	89	102	113	37	28	70	38.1	15.9	UCX05-14 X05-15 X05-16 UCX05	TX05	1.01
UCTX06-18 X06-19 X06-20 UCTX06	1-1/8 1-3/16 1-1/4	30	16	13	64	37	22	64	12	89	102	129	37	30	78	42.9	17.5	UCX06-18 X06-19 X06-20 UCX06	TX06	1.12
UCTX07-20 X07-22 X07-23 UCTX07	1-1/4 1-3/8 1-7/16	35	19	15	83	49	29	83	16	102	114	144	49	36	88	49.2	19	UCX07-20 X07-22 X07-23 UCX07	TX07	1.78
UCTX08-24 UCTX08	1-1/2	40	19	15	83	49	29	83	16	102	117	144	49	36	87	49.2	19	UCX08-24 UCX08	TX08	1.67
UCTX09-26 X09-27 X09-28 UCTX09	1-5/8 1-11/16 1-3/4	45	19	16	83	49	29	86	16	102	117	149	49	38	90	51.6	19	UCX09-26 X09-27 X09-28 UCX09	TX09	1.8
UCTX10-30 X10-31 X10-32 UCTX10	1-7/8 1-15/16 2	50	25	19	102	64	35	95	22	130	146	171	64	42	106	55.6	22.2	UCX10-30 X10-31 X10-32 UCX10	TX10	2.95
UCTX11-34 X11-35 UCTX11	2-3/16 2-1/4	55	32	19	102	64	35	102	22	130	146	194	64	42	119	65.1	25.4	UCX11-34 X11-35 UCX11	TX11	3.3
UCTX12-38 X12-39 UCTX12	2-3/8 2-7/16	60	32	21	111	70	41	121	26	151	167	224	70	48	137	65.1	25.4	UCX12-38 X12-39 UCX12	TX12	5.33
UCTX13-40 UCTX13	2-1/2	65	32	21	111	70	41	121	26	151	167	224	70	48	137	74.6	30.2	UCX13-40 UCX13	TX13	5.15
UCTX14-43 X14-44 UCTX14	2-11/16 2-3/4	70	32	21	111	70	41	121	26	151	167	232	70	48	140	77.8	33.3	UCX14-43 X14-44 UCX14	TX14	5.23
UCTX15-47 X15-48 UCTX15	2-15/16 3	75	32	21	111	70	41	121	28	165	184	235	70	48	140	82.6	33.3	UCX15-47 X15-48 UCX15	TX15	5.29
UCTX16-50 UCTX16	3-1/8	80	38	28	124	73	48	157	28	173	198	260	73	54	162	85.7	34.1	UCX16-50 UCX16	TX16	7.21
UCTX17-52 X17-55 UCTX17	3-1/4 3-7/16	85	38	28	124	73	48	157	28	173	198	260	73	54	162	96	39.7	UCX17-52 X17-55 UCX17	TX17	7.18

CHANGZHOU KADI INTERNATIONAL

Note: All mentioned names, Trademarks and Part No. are the property of their respective manufacturers, all consumables are not original, are manufactured and sold by KADI CO., reference to the original manufacturer is for convenience only.

TAKE-UP UNITS



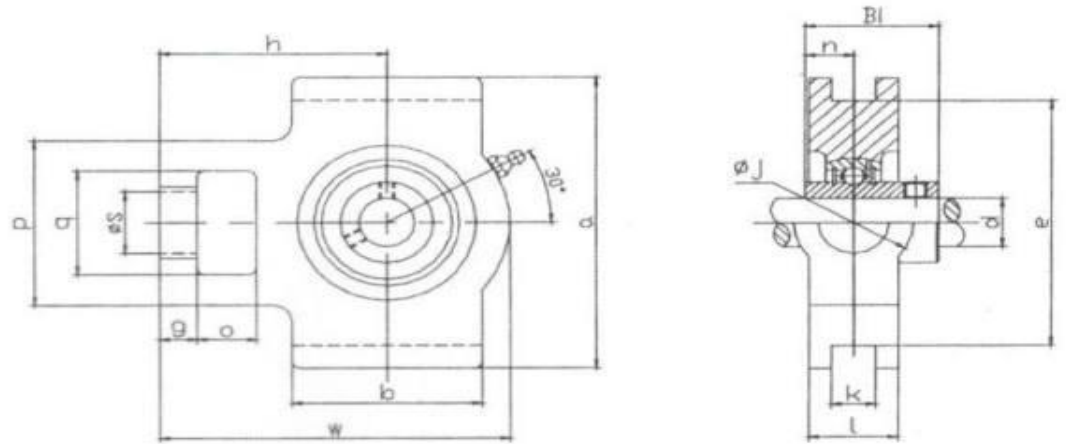
UCCT200 SERIES

Bearing Unit No.	Shaft Dia d		Dimensions (mm)																Bearing No.	Housing No.	Housing weight (kg)	
	(in)	(mm)	o	g	p	q	s	b	k	e	a	w	j	l	h	z	Bi	n				
UCCT201-8 202-9 202-10 203-11 204-12	1/2 9/16 5/8 11/16 3/4		16	10	51	32	19	51	12	76	89	96	32	21	61	62	31	12.7	UC201-8 202-9 202-10 203-11 204-12	CT204	1.04	
UCCT201 202 203 204		12 15 17 20																	UC201 202 203 204			
UCCT205-13 205-14 205-15 205-16	13/16 7/8 15/16 1		16	10	51	32	19	51	12	76	89	100	32	24	62	70	34.1	14.3	UC205-13 205-14 205-15 205-16	CT205	1.31	
UCCT205		25																	UC205			
UCCT206-17 206-18 206-19 206-20	1-1/16 1-1/8 1-3/16 1-1/4		16	10	56	37	22	57	12	89	102	113	37	28	70	74	38.1	15.9	UC206-17 206-18 206-19 206-20	CT206	1.69	
UCCT206		30																	UC206			
UCCT207-20 207-21 207-22 207-23	1-1/4 1-5/16 1-3/8 1-7/16		16	13	64	37	22	64	12	89	102	129	37	30	78	80	42.9	17.5	UC207-20 207-21 207-22 207-23	CT207	2.11	
UCCT207		35																	UC207			
UCCT208-24 208-25	1-1/2 1-9/16		19	16	83	49	29	83	16	102	114	144	49	33	88	90	49.2	19	UC208-24 208-25	CT208	2.77	
UCCT208		40																	UC208			
UCCT209-26 209-27 209-28	1-5/8 1-11/16 1-3/4		19	16	83	49	29	83	16	102	117	145	49	35	87	90	49.2	19	UC209-26 209-27 209-28	CT209	2.92	
UCCT209		45																	UC209			
UCCT210-29 210-30 210-31 210-32	1-13/16 1-7/8 1-15/16 2		19	16	83	49	29	86	16	102	117	151	49	37	90	98	51.6	19	UC210-29 210-30 210-31 210-32	CT210	3.31	
UCCT210		50																	UC210			
UCCT211-32 211-33 211-34 211-35	2 2-1/16 2-1/8 2-3/16		25	19	102	64	35	95	22	130	146	174	64	38	106	100	55.6	22.2	UC211-32 211-33 211-34 211-35	CT211	4.56	
UCCT211		55																	UC211			
UCCT212-36 212-37 212-38 212-39	2-1/4 2-5/16 2-3/8 2-7/16		32	19	102	64	35	102	22	130	146	194	64	42	119	114	65.1	25.4	UC212-36 212-37 212-38 212-39	CT212	5.53	
UCCT212		60																	UC212			
UCCT213-40 213-41	2-1/2 2-9/16		32	21	111	70	41	121	26	151	167	224	70	44	137	118	65.1	25.4	UC213-40 213-41	CT213	7.47	
UCCT213		65																	UC213			
UCCT214-42 214-43 214-44	2-5/8 2-11/16 2-3/4		32	21	111	70	41	121	26	151	167	224	70	46	137	134	74.6	30.2	UC214-42 214-43 214-44	CT214	7.72	
UCCT214		70																	UC214			
UCCT215-45 215-46 215-47 215-48	2-13/16 2-7/8 2-15/16 3		32	21	111	70	41	121	26	151	167	232	70	48	140	136	77.8	33.3	UC215-45 215-46 215-47 215-48	CT215	7.95	
UCCT215		75																	UC215			
UCCT216-50 UCCT216	3-1/8		80	32	21	111	70	41	121	26	165	184	236	70	51	140	146	82.6	33.3	UC216-50 UC216	CT216	9.54
UCCT217-52 UCCT217	3-1/4		85	38	29	124	73	48	157	30	173	198	264	73	54	162	150	85.7	34.1	UC217-52 UC217	CT217	11.98

CHANGZHOU KADI INTERNATIONAL

Note: All mentioned names, Trademarks and Part No. are the property of their respective manufacturers, all consumables are not original, are manufactured and sold by KADI CO., reference to the original manufacturer is for convenience only.

TAKE-UP UNITS



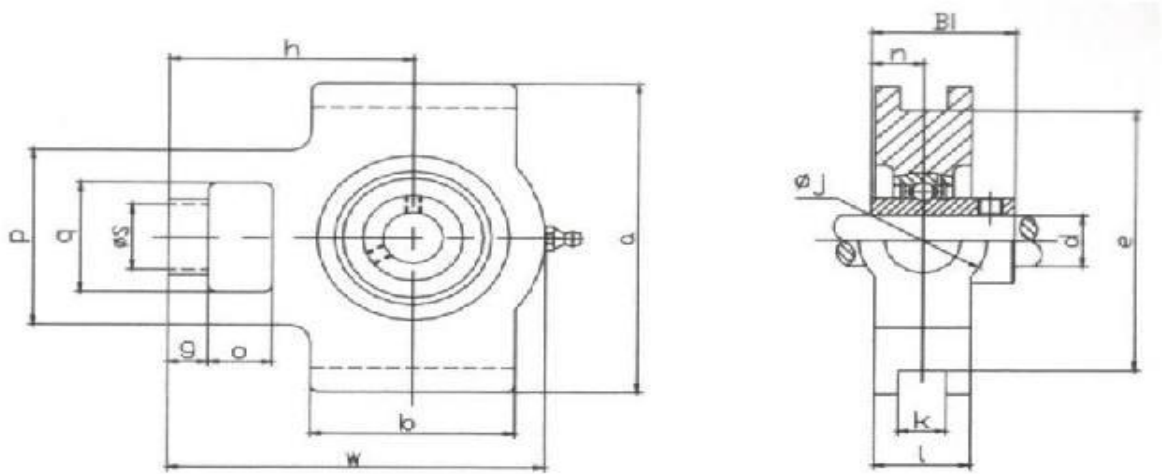
UCST200 SERIES

Bearing Unit No.	Shaft Dia d		Dimensions (mm)															Bearing No.	Housing No.	Housing Wt (kg)
	(in)	(mm)	o	g	p	q	s	b	k	e	a	w	j	l	h	Bi	n			
UCST204-12 UCST204	3/4	20	16	10	51	32	19	51	13.5	76.2	89	94	32	24	60	31	12.7	UC204-12 UC204	ST204	0.48
UCST205-13 205-14 205-15 205-16 UCST205	13/16 7/8 15/16 1	25	16	10	51	32	22	51	13.5	76.2	89	97	32	24	62	34.1	14.3	UC205-13 205-14 205-15 205-16 UC205	ST205	0.6
UCST206-17 206-18 206-19 206-20 UCST206	1-1/16 1-1/8 1-3/16 1-1/4	30	16	10	56	37	22	57	13.5	88.9	102	113	37	24	70	38.1	15.9	UC206-17 206-18 206-19 206-20 UC206	ST206	0.8
UCST207-20 207-21 207-22 207-23 UCST207	1-1/4 1-5/16 1-3/8 1-7/16	35	16	13	64	37	22	64	13.5	88.9	102	129	37	30	78	42.9	17.5	UC207-20 207-21 207-22 207-23 UC207	ST207	1.12
UCST208-24 208-25 UCST208	1-1/2 1-9/16	40	19	16	83	49	29	83	17.5	101.6	114	144	49	35	89	49.2	19	UC208-24 208-25 UC208	ST208	1.9
UCST209-26 209-27 209-28 UCST209	1-5/8 1-11/16 1-3/4	45	19	16	83	49	29	83	17.5	101.6	117	144	49	35	87	49.2	19	UC209-26 209-27 209-28 UC209	ST209	1.73
UCST210-29 210-30 210-31 210-32 UCST210	1-13/16 1-7/8 1-15/16 2	50	19	16	83	49	29	86	17.5	101.6	117	149	49	35	90	51.6	19	UC210-29 210-30 210-31 210-32 UC210	ST210	1.62
UCST211-32 211-33 211-34 211-35 UCST211	2 2-1/16 2-1/8 2-3/16	55	25	19	102	64	35	95	27	130.2	146	171	64	41	106	55.6	22.2	UC211-32 211-33 211-34 211-35 UC211	ST211	3.1
UCST212-36 212-37 212-38 212-39 UCST212	2-1/4 2-5/16 2-3/8 2-7/16	60	32	19	102	64	35	102	27	130.2	146	194	64	46	119	65.1	25.4	UC212-36 212-37 212-38 212-39 UC212	ST212	3.6
UCST213-40 213-41 UCST213	2-1/2 2-9/16	65	32	21	111	70	41	121	27	150.8	167	224	70	51	137	65.1	25.4	UC213-40 213-41 UC213	ST213	5.4
UCST214-42 214-43 214-44 UCST214	2-5/8 2-11/16 2-3/4	70	32	21	111	70	41	121	27	151	167	224	70	46	137	74.6	30.2	UC214-42 214-43 214-44 UC214	ST214	5.6
UCST215-45 215-46 215-47 215-48 UCST215	2-13/16 1-7/8 2-15/16 3	75	32	21	111	70	41	121	27	151	167	232	70	48	140	77.8	33.3	UC215-45 215-46 215-47 215-48 UC215	ST215	6.1

CHANGZHOU KADI INTERNATIONAL

Note: All mentioned names, Trademarks and Part No. are the property of their respective manufacturers, all consumables are not original, are manufactured and sold by KADI CO., reference to the original manufacturer is for convenience only.

TAKE-UP UNITS



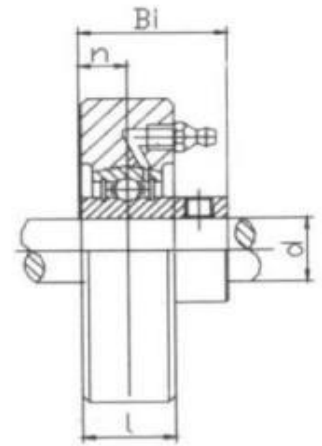
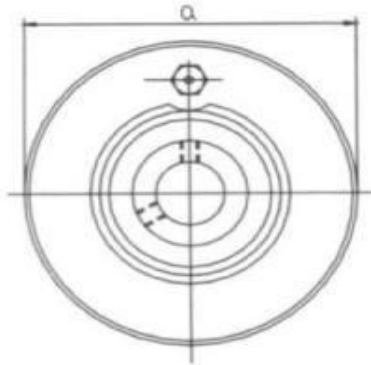
UCNST200 SERIES

Bearing Unit No.	Shaft Dia d		Dimensions (mm)														Bearing No.	Housing No.	Housing Wt (kg)	
	(in)	(mm)	o	g	p	q	s	b	k	e	a	w	j	l	h	Bi				n
UCNST204-12 UCNST204	3/4	20	16	10	48	31	19	44	7.9	76.2	89	91	37	20	59	31	17.2	UC204-12 UC204	NST204	0.68
UCNST205-13 205-14 205-15 205-16 UCNST205	13/16 7/8 15/16 1	25	16	10	48	31	19	49	7.9	76.2	89	137	37	20	59	34	17.4	UC205-13 205-14 205-15 205-16 UC205	NST205	0.61
UCNST206-17 206-18 206-19 206-20 UCNST206	1-1/16 1-1/8 1-3/16 1-1/4	30	16	13	54	34	22	60	7.9	89	102	110	41	22	70	38.1	20	UC206-17 206-18 206-19 206-20 UC206	NST206	0.79
UCNST207-20 207-21 207-22 207-23 UCNST207	1-1/4 1-5/16 1-3/8 1-7/16	35	19	13	54	34	22	67	7.9	89	102	118	41	23	75	49.2	19.7	UC207-20 207-21 207-22 207-23 UC207	NST207	1.14
UCNST208-24 208-25 UCNST208	1-1/2 1-9/16	40	19	16	67	40	29	75	7.9	101.6	114	130	46	25	83	49.2	23	UC208-24 208-25 UC208	NST208	1.87
UCNST209-26 209-27 209-28 UCNST209	1-5/8 1-11/16 1-3/4	45	19	16	67	40	29	79	7.9	101.6	114	138	46	26	87	49.2	23	UC209-26 209-27 209-28 UC209	NST209	1.51
UCNST210-29 210-30 210-31 210-32 UCNST210	1-13/16 1-7/8 1-15/16 2	50	19	16	67	40	29	84	7.9	101.6	114	145	46	27	91	51.6	22.7	UC210-29 210-30 210-31 210-32 UC210	NST210	1.62
UCNST211-32 211-33 211-34 211-35 UCNST211	2 2-1/16 2-1/8 2-3/16	55	25.4	19	83	49	35	94	7.9	130.2	146	164	54	29	105	55.6	27	UC211-32 211-33 211-34 211-35 UC211	NST211	3
UCNST212-36 212-37 212-38 212-39 UCNST212	2-1/4 2-5/16 2-3/8 2-7/16	60	25.4	19	83	49	35	103	7.9	130.2	146	186	54	30	113	65	26.9	UC212-36 212-37 212-38 212-39 UC212	NST212	3.48

CHANGZHOU KADI INTERNATIONAL

Note: All mentioned names, Trademarks and Part No. are the property of their respective manufacturers, all consumables are not original, are manufactured and sold by KADI CO., reference to the original manufacturer is for convenience only.

CYLINDRICAL CARTRIDGE UNITS



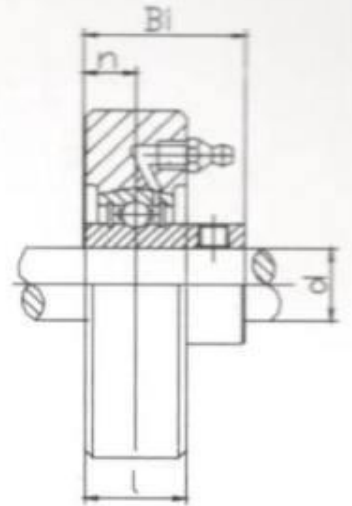
UCC200 SERIES UCCX00 SERIES

Bearing Unit No.	Shaft Dia d		Dimensions (mm)				Bearing No.	Housing No.	Housing weight (kg)
	(in)	(mm)	a	l	Bi	n			
UCC201-8 202-9 202-10 203-11 UCC201 202 203	1/2 9/16 5/8 11/16	12 15 17	72	20	31	12.7	UC201-8 202-9 202-10 203-11 UC201 UC202 UC203	C203	0.33
UCC204-12 UCC204	3/4	20	72	20	31	12.7	UC204-12 UC204	C204	0.33
UCC205-13 205-14 205-15 205-16 UCC205	13/16 7/8 15/16 1	25	80	22	34	14.3	UC205-13 205-14 205-15 205-16 UC205	C205	0.5
UCC206-17 206-18 206-19 206-20 UCC206	1-1/16 1-1/8 1-3/16 1-1/4	30	85	27	38.1	15.9	UC206-17 206-18 206-19 206-20 UC206	C206	0.57
UCC207-20 207-21 207-22 207-23 UCC207	1-1/4 1-5/16 1-3/8 1-7/16	35	90	28	42.9	17.5	UC207-20 207-21 207-22 207-23 UC207	C207	0.51
UCC208-24 208-25 UCC208	1-1/2 1-9/16	40	100	30	49.2	19	UC208-24 208-25 UC208	C208	0.65
UCC209-26 209-27 209-28 UCC209	1-5/8 1-11/16 1-3/4	45	110	31	49.2	19	UC209-26 209-27 209-28 UC209	C209	0.9
UCC210-29 210-30 210-31 210-32 UCC210	1-13/16 1-7/8 1-15/16 2	50	120	33	51.6	19	UC210-29 210-30 210-31 210-32 UC210	C210	1.2
UCC211-32 211-33 211-34 211-35 UCC211	2 2-1/16 2-1/8 2-3/16	55	125	35	55.6	22.2	UC211-32 211-33 211-34 211-35 UC211	C211	1.25
UCC212-36 212-37 212-38 212-39 UCC212	2-1/4 2-5/16 2-3/8 2-7/16	60	130	38	65.1	25.4	UC212-36 212-37 212-38 212-39 UC212	C212	1.47
UCC213-40 213-41 UCC213	2-1/2 2-9/16	65	140	40	65.1	25.4	UC213-40 213-41 UC213	C213	1.75
UCCX05-14 X05-15 X05-16 UCCX05	7/8 15/16 1	25	90	27	38.1	15.9	UCX05-14 X05-15 X05-16 UCX05	CX05	0.71
UCCX06-18 X06-19 X06-20 UCCX06	1-1/8 1-3/16 1-1/4	30	100	30	42.9	17.5	UCX06-18 X06-19 X06-20 UCX06	CX06	0.92
UCCX07-20 X07-22 X07-23 UCCX07	1-1/4 1-3/8 1-7/16	35	110	34	49.2	19	UCX07-20 X07-22 X07-23 UCX07	CX07	1.18
UCCX08-24 UCCX08	1-1/2	40	120	36	49.2	19	UCX08-24 UCX08	CX08	1.57
UCCX09-26 X09-27 X09-28 UCCX09	1-5/8 1-11/16 1-3/4	45	120	38	51.6	19	UCX09-26 X09-27 X09-28 UCX09	CX09	1.40
UCCX10-30 X10-31 X10-32 UCCX10	1-7/8 1-15/16 2	50	130	40	55.6	22.2	UCX10-30 X10-31 X10-32 UCX10	CX10	1.65
UCCX11-34 X11-35 UCCX11	2-1/8 2-3/16	55	150	42	65.1	25.4	UCX11-34 X11-35 UCX11	CX11	2.50
UCCX12-38 X12-39 UCCX12	2-3/8 2-7/16	60	160	44	65.1	25.4	UCX12-38 X12-39 UCX12	CX12	2.73

CHANGZHOU KADI INTERNATIONAL

Note: All mentioned names, Trademarks and Part No. are the property of their respective manufacturers, all consumables are not original, are manufactured and sold by KADI CO., reference to the original manufacturer is for convenience only.

CYLINDRICAL CARTRIDGE UNITS



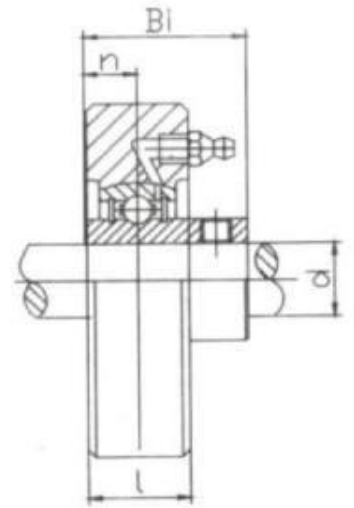
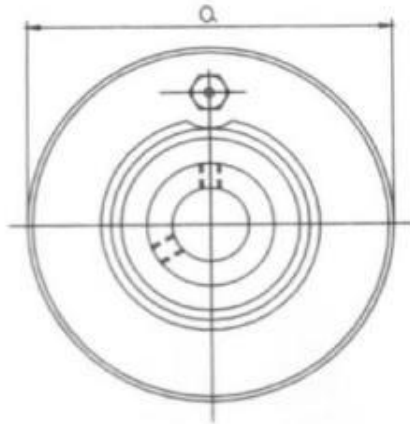
UCC300 SERIES

Bearing Unit No.	Shaft Dia d		Dimensions (mm)				Bearing No.	Housing No.	Housing wt (kg)
	(in)	(mm)	a	l	Bi	n			
UCC305-14 305-15 305-16 UCC305	7/8 15/16 1	25	90	26	38	15	UC305-14 305-15 305-16 UC305	C305	0.75
UCC306-18 306-19 UCC306	1-1/8 1-3/16	30	100	28	43	17	UC306-18 306-19 UC306	C306	0.84
UCC307-20 307-21 307-22 307-23 UCC307	1-1/4 1-5/16 1-3/8 1-7/16	35	110	32	48	19	UC307-20 307-21 307-22 307-23 UC307	C307	1.09
UCC308-24 308-25 UCC308	1-1/2 1-9/16	40	120	34	52	19	UC308-24 308-25 UC308	C308	1.24
UCC309-26 309-27 309-28 UCC309	1-5/8 1-11/16 1-3/4	45	130	38	57	22	UC309-26 309-27 309-28 UC309	C309	1.42
UCC310-30 310-31 UCC310	1-7/8 1-15/16	50	140	40	61	22	UC310-30 310-31 UC310	C310	1.65
UCC311-32 311-34 311-35 UCC311	2 2-1/8 2-3/16	55	150	44	66	25	UC311-32 311-34 311-35 UC311	C311	1.83
UCC312-36 312-38 312-39 UCC312	2-1/4 2-3/8 2-7/16	60	160	46	71	26	UC312-36 312-38 312-39 UC312	C312	2.2
UCC313-40 UCC313	2-1/2	65	170	50	75	30	UC313-40 UC313	C313	2.55
UCC314-44 UCC314	2-3/4	70	180	52	78	33	UC314-44 UC314	C314	2.71
UCC315-48 UCC315	3	75	190	55	82	32	UC315-48 UC315	C315	3.08
UCC316-50 UCC316	3-1/8	80	200	60	86	34	UC316-50 UC316	C316	3.5
UCC317-52 UCC317	3-1/4	85	215	64	96	40	UC317-52 UC317	C317	4.3
UCC318-56 UCC318	3-1/2	90	225	66	96	40	UC318-56 UC318	C318	4.4
UCC319-60 UCC319	3-3/4	95	240	72	103	41	UC319-60 UC319	C319	6.3
UCC320-64 UCC320	4	100	260	75	108	42	UC320-64 UC320	C320	8.2
UCC321		105	260	75	112	44	UC321	C321	7.8
UCC322		110	300	80	117	46	UC322	C322	13.7
UCC324		120	320	90	126	51	UC324	C324	16.5
UCC326		130	340	100	135	54	UC326	C326	19
UCC328		140	360	100	145	59	UC328	C328	20.5

CHANGZHOU KADI INTERNATIONAL

Note: All mentioned names, Trademarks and Part No. are the property of their respective manufacturers, all consumables are not original, are manufactured and sold by KADI CO., reference to the original manufacturer is for convenience only

CYLINDRICAL CARTRIDGE UNITS



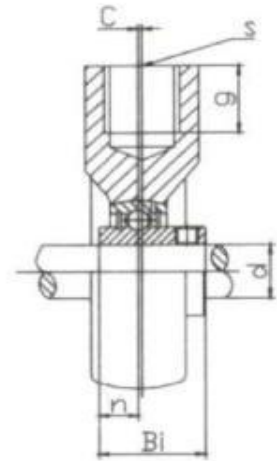
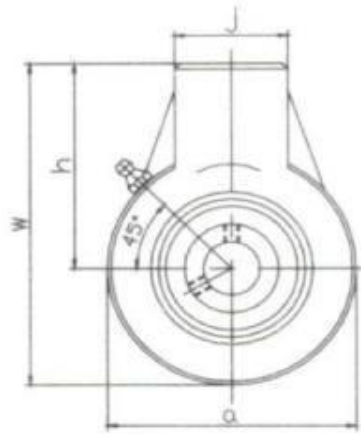
UCLC200 SERIES

Bearing Unit No.	Shaft Dia d		Dimensions (mm)				Bearing No.	Housing No.	Housing wt (kg)						
	(in)	(mm)	a	i	Bi	n									
UCLC201-8 202-9 202-10 203-11	1/2 9/16 5/8 11/16		68.3	22	26	10	UC201-8 202-9 202-10 203-11	LC203	0.4						
UCLC201 202 203		12 15 17					UC201 202 203								
UCLC204-12 UCLC204	3/4	20					74.6			22	31	12.7	UC204-12 UC204	LC204	0.42
UCLC205-13 205-14 205-15 205-16	13/16 7/8 15/16 1						79.4			26	34	14.3	UC205-13 205-14 205-15 205-16	LC205	0.54
UCLC205		25	UC205												
UCLC206-17 206-18 206-19 206-20	1-1/16 1-1/8 1-3/16 1-1/4		88.9	28	38.1	15.9		UC206-17 206-18 206-19 206-20	LC206				0.64		
UCLC206		30						UC206							
UCLC207-20 207-21 207-22 207-23	1-1/4 1-5/16 1-3/8 1-7/16						98.4	31		42.9	17.5	UC207-20 207-21 207-22 207-23		LC207	0.71
UCLC207		35										UC207			
UCLC208-24 208-25	1-1/2 1-9/16		106.4	37	49.2	19			UC208-24 208-25			LC208	1.07		
UCLC208		40							UC208						
UCLC209-26 209-27 209-28	1-5/8 1-11/16 1-3/4						111.1	36.5	49.2	19	UC209-26 209-27 209-28			LC209	1.02
UCLC209		45									UC209				
UCLC210-29 210-30 210-31 210-32	1-13/16 1-7/8 1-15/16 2		115.9	37	51.6	19					UC210-29 210-30 210-31 210-32	LC210	1.1		
UCLC210		50									UC210				
UCLC211-32 211-33 211-34 211-35	2 2-1/16 2-1/8 2-3/16						125.4	40.5	55.6	22.2	UC211-32 211-33 211-34 211-35			LC211	1.36
UCLC211		55									UC211				
UCLC212-36 212-37 212-38 212-39	2-1/4 2-5/16 2-3/8 2-7/16		149.2	41	65.1	25.4					UC212-36 212-37 212-38 212-39	LC212	2.33		
UCLC212		60									UC212				
UCLC213-40 213-41	2-1/2 2-9/16						149.2	41	65.1	25.4	UC213-40 213-41			LC213	1.87
UCLC213		65									UC213				

CHANGZHOU KADI INTERNATIONAL

Note: All mentioned names, Trademarks and Part No. are the property of their respective manufacturers, all consumables are not original, are manufactured and sold by KADI CO., reference to the original manufacturer is for convenience only.

HANGER BEARING UNITS



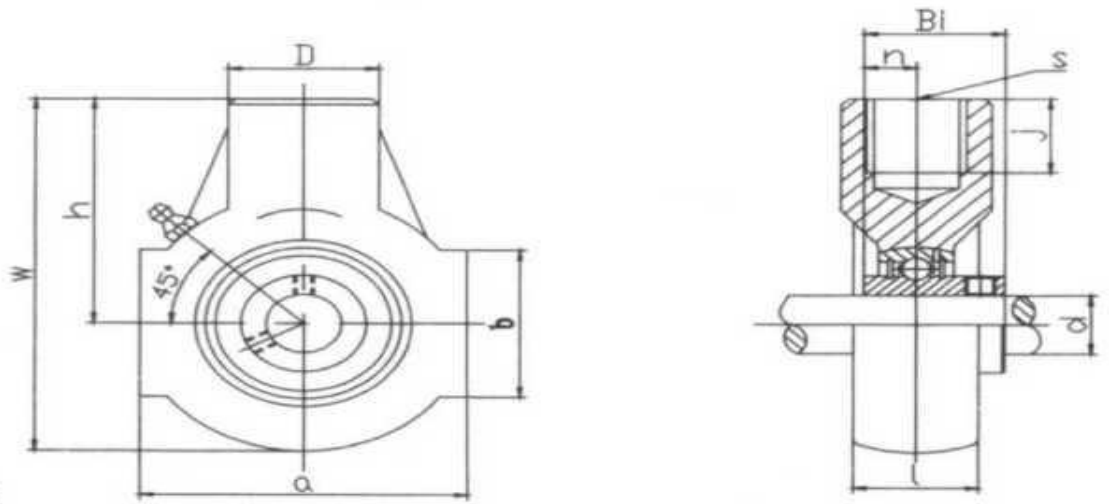
UCECH200 SERIES

Bearing Unit No.	Shaft Dia		Dimensions (mm)									Bearing No.	Housing No.	Housing wt (kg)		
	(in)	(mm)	a	w	h	j	s	g	Bi	n	c					
UCECH201-8 202-9 202-10 203-11 204-12	1/2 9/16 5/8 11/16 3/4		64	96	64	40	PF3/4	19	31	12.7	0	UC201-8 202-9 202-10 203-11 204-12	ECH204	0.5		
UCECH201 202 203 204		12 15 17 20										UC201 202 203 UC204				
UCECH205-13 205-14 205-15 205-16	13/16 7/8 15/16 1		78	103	64	40	PF3/4	19	34	14.3	0	UC205-13 205-14 205-15 205-16			ECH205	0.5
UCECH205		25										UC205				
UCECH206-17 206-18 206-19 206-20	1-1/16 1-1/8 1-3/16 1-1/4		78	103	64	40	PF3/4	19	38.1	15.9	0	UC206-17 206-18 206-19 206-20			ECH206	0.5
UCECH206		30										UC206				
UCECH207-20 207-21 207-22 207-23	1-1/4 1-5/16 1-3/8 1-7/16		92	116	70	40	PF3/4	19.1	42.9	17.5	0	UC207-20 207-21 207-22 207-23	ECH207	0.6		
UCECH207		35										UC207				
UCECH208-24 208-25	1-1/2 1-9/16		96	121	73	40	PF3/4	19	49.2	19	2	UC208-24 208-25	ECH208	0.5		
UCECH208		40										UC208				
UCECH209-26 209-27 209-28	1-5/8 1-11/16 1-3/4		108	136	82	48	PF1	21	49.2	19	5	UC209-26 209-27 209-28	ECH209	1.4		
UCECH209		45										UC209				
UCECH210-29 210-30 210-31 210-32	1-13/16 1-7/8 1-15/16 2		118	142	83	48	PF1	21	51.6	19	5	UC210-29 210-30 210-31 210-32	ECH210	1.8		
UCECH210		50										UC210				
UCECH211-32 211-33 211-34 211-35	2 2-1/16 2-1/8 2-3/16		126	158	95	60	PF1-1/4	25	55.6	22.2	7	UC211-32 211-33 211-34 211-35	ECH211	1.82		
UCECH211		55										UC211				
UCECH212-36 212-37 212-38 212-39	2-1/4 2-5/16 2-3/8 2-7/16		142	173	102	60	PF1-1/4	28	65.1	25.4	9	UC212-36 212-37 212-38 212-39	ECH212	2.87		
UCECH212		60										UC212				
UCECH213-40 213-41	2-1/2 2-9/16		166	200	117	70	PF1-1/2	32	65.1	25.4	9.5	UC213-40 213-41	ECH213	4.75		
UCECH213		65										UC213				
UCECH214-42 214-43 214-44	2-5/8 2-11/16 2-3/4		166	200	117	70	PF1-1/2	32	74.6	30.2	9.5	UC214-42 214-43 214-44	ECH214	4.75		
UCECH214		70										UC214				
UCECH215-45 215-46 215-47 215-48	2-13/16 2-7/8 2-15/16 3		166	200	117	70	PF1-1/2	32	77.8	33.2	9.5	UC215-45 215-46 215-47 215-48	ECH215	4.75		
UCECH215		75										UC215				

CHANGZHOU KADI INTERNATIONAL

Note: All mentioned names, Trademarks and Part No. are the property of their respective manufacturers, all consumables are not original, are manufactured and sold by KADI CO., reference to the original manufacturer is for convenience only.

HANGER BEARING UNITS



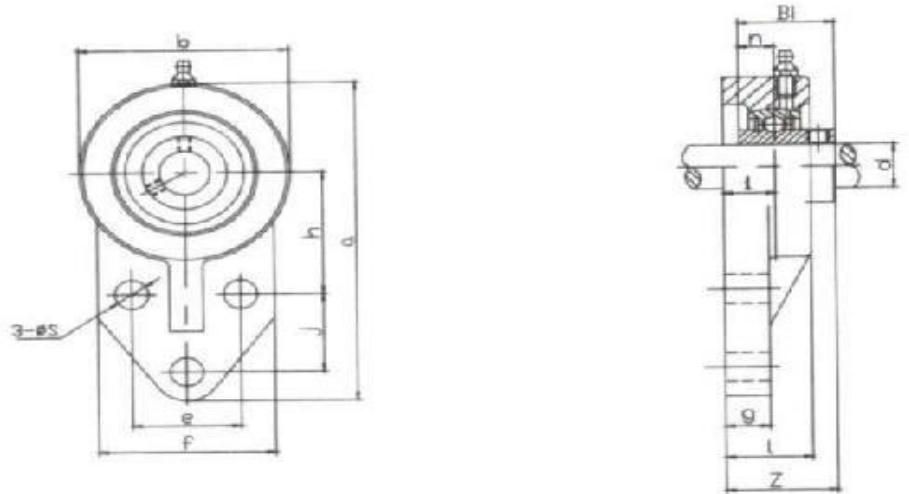
UCHE200 SERIES

Bearing Unit No.	Shaft Dia d		Dimensions (mm)										Bearing No.	Housing No.	Housing wt (kg)	
	(in)	(mm)	a	w	h	D	s	j	Bi	n	l	b				
UCHE201-8	1/2													UC201-8		
202-9	9/16													202-9		
202-10	5/8													202-10		
203-11	11/16													203-11		
204-12	3/4		65	91	58	30	M16	21	31	12.7	25	38	204-12			
UCHE201		12											UC201	HE201	0.25	
202		15											202	HE202	0.25	
203		17											203	HE203	0.25	
204		20											UC204	HE204	0.4	
UCHE205-13	13/16												UC205-13			
205-14	7/8												205-14			
205-15	15/16		70	99	64	35	M20	22	34	14.3	28	38	205-15	HE205	0.54	
205-16	1												205-16			
UCHE205		25											UC205			
UCHE206-17	1-1/16												UC206-17			
206-18	1-1/8												206-18			
206-19	1-3/16		85	114	72	40	M24	24	38.1	15.9	32	40	206-19	HE206	0.96	
206-20	1-1/4												206-20			
UCHE206		30											UC206			
UCHE207-20	1-1/4												UC207-20			
207-21	1-5/16												207-21			
207-22	1-3/8		90	122	76	40	M24	24	42.9	17.5	32	49	207-22	HE207	0.81	
207-23	1-7/16												207-23			
UCHE207		35											UC207			
UCHE208-24	1-1/2												UC208-24			
208-25	1-9/16		100	135	85	40	M24	24	49.2	19	36	45	208-25	HE208	1.2	
UCHE208		40											UC208			
UCHE209-26	1-5/8												UC209-26			
209-27	1-11/16												209-27			
209-28	1-3/4		110	145	90	40	M24	24	49.2	19	40	46	209-28	HE209	1.33	
UCHE209		45											UC209			
UCHE210-29	1-13/16												UC210-29			
210-30	1-7/8												210-30			
210-31	1-15/16		110	145	90	40	M24	24	51.6	19	40	46	210-31	HE210	1.42	
210-32	2												210-32			
UCHE210		50											UC210			

CHANGZHOU KADI INTERNATIONAL

Note: All mentioned names, Trademarks and Part No. are the property of their respective manufacturers, all consumables are not original, are manufactured and sold by KADI CO., reference to the original manufacturer is for convenience only.

THREE-BOLT FLANGE UNITS



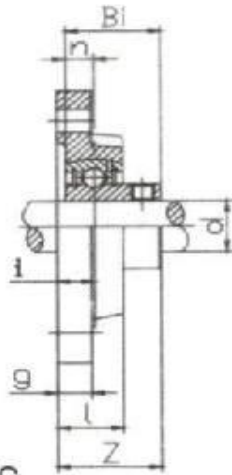
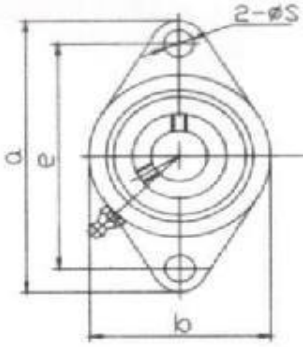
UCFB200 SERIES

Bearing Unit No.	Shaft Dia d		Dimensions (mm)													Bolt Used		Bearing No.	Housing No.	Housing wt (kg)	
	(in)	(mm)	a	h	e	j	i	g	l	s	b	f	z	Bi	n	mm	in				
UCFB201-8	1/2																		UC201-8		
202-9	9/16																		202-9		
202-10	5/8																		202-10		
203-11	11/16																		203-11		
204-12	3/4		108	42.9	38.1	22	15.9	8	25.4	10	63.5	60.3	34.1	31	12.7	M8	5/16	204-12	FB204	0.38	
UCFB201		12																UC201			
202		15																202			
203		17																203			
204		20																204			
UCFB205-13	13/16																		UC205-13		
205-14	7/8																		205-14		
205-15	15/16		121	46	41.3	28.5	16.7	9.5	28.5	10	70	63.5	36.5	34	14.3	M8	5/16	205-15	FB205	0.49	
205-16	1																	205-16			
UCFB205		25																UC205			
UCFB206-17	1-1/16																		UC206-17		
206-18	1-1/8																		206-18		
206-19	1-3/16		137	52.4	47.6	31.7	18.6	9.5	32	10	83	70	40.9	38.1	15.9	M8	5/16	206-19	FB206	0.61	
206-20	1-1/4																	206-20			
UCFB206		30																UC206			
UCFB207-20	1-1/4																		UC207-20		
207-21	1-5/16																		207-21		
207-22	1-3/8		156	60.3	50.8	31.7	21	12.7	36.5	13	95	83	46.4	42.9	17.5	M10	3/8	207-22	FB207	0.75	
207-23	1-7/16																	207-23			
UCFB207		35																UC207			
UCFB208-24	1-1/2																		UC208-24		
208-25	1-9/16		164	60.3	50	41.3	21	15.9	35.7	12	100	78	51.2	49.2	19	M10	3/8	208-25	FB208	0.8	
UCFB208		40																UC208			
UCFB209-26	1-5/8																		UC209-26		
209-27	1-11/16		174	65	54	42.9	21.8	18.3	38	12	106	80	51.2	49.2	19	M10	3/8	209-27	FB209	1.5	
209-28	1-3/4																	209-28			
UCFB209		45																UC209			
UCFB210-29	1-13/16																		UC210-29		
210-30	1-7/8																		210-30		
210-31	1-15/16		190	74.6	70	41.3	21.8	12.7	38	13	118	102	53.6	51.6	19	M10	3/8	210-31	FB210	1.8	
210-32	2																	210-32			
UCFB210		50																UC210			

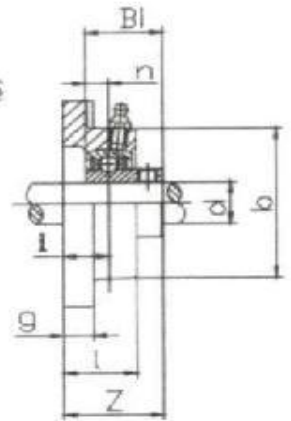
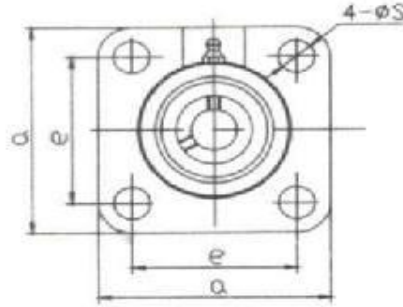
CHANGZHOU KADI INTERNATIONAL

Note: All mentioned names, Trademarks and Part No. are the property of their respective manufacturers, all consumables are not original, are manufactured and sold by KADI CO., reference to the original manufacturer is for convenience only.

TWO OR FOUR BOLT FLANGE UNITS



SBFTN200 SERIES



SBFN200 SERIES

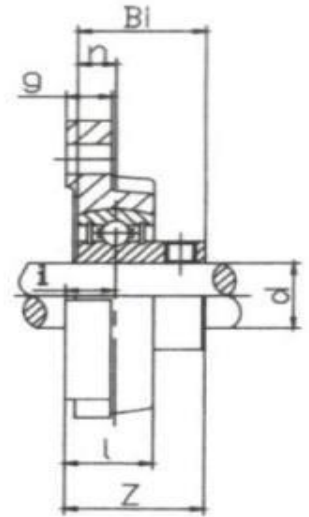
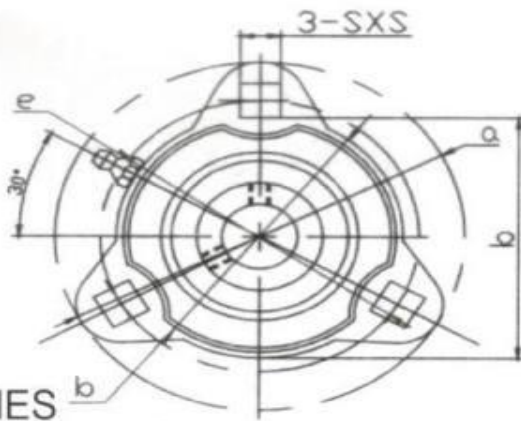
Bearing Unit No.	Shaft Dia d		Dimensions (mm)											Bolt Used		Bearing No.	Housing No.	Housing wt (kg)
	(in)	(mm)	a	e	i	g	l	s	b	z	Bi	n	(mm)	(in)				
SBFTN201-8 202-9 202-10 203-11	1/2 9/16 5/8 11/16		98	76.2	11.4	10	18	11	54	27.4	22	6	M10	3/8	SB201-8 202-9 202-10 203-11	FTN201 FTN202 FTN203	0.23	
SBFTN201 202 203		12 15 17													SB201 202 203	FTN201 FTN202 FTN203		
SBFTN204-12 SBFTN204	3/4	20	112	89.7	12.6	11	21	11	64	30.6	25	7	M10	3/8	SB204-12 SB204	FTN204	0.26	
SBFTN205-14 205-15 205-16	7/8 15/16 1		124	99	12.3	11	21	13	70	31.8	27	7.5	M12	7/16	SB205-14 205-15 205-16	FTN205	0.35	
SBFTN205 SBFTN206-18 206-19 206-20	1-1/8 1-3/16 1-1/4	25	141	116.7	12.1	14	24	13	79	34.1	30	8	M12	7/16	SB206-18 206-19 206-20	FTN206	0.5	
SBFTN206 SBFTN207-20 207-22 207-23	1-1/4 1-3/8 1-7/16	30	155	130	14.6	15	27	14	92	38.1	32	8.5	M14	1/2	SB206 SB207-20 207-22 207-23	FTN207	0.8	
SBFTN207 SBFTN208-24 208-25	1-1/2 1-9/16	35	172	143.7	15.5	16	29	14	105	40.5	34	9	M14	1/2	SB207 SB208-24 208-25	FTN208	1.1	
SBFTN208 SBFTN209-26 209-27 209-28	1-5/8 1-11/16 1-3/4	40	179	148	13.8	16	29	16	111	44.8	41.2	10.2	M14	1/2	SB208 SB209-26 209-27 209-28	FTN208 FTN209	1.23	
SBFTN209		45													SB209	FTN209		

Bearing Unit No.	Shaft Dia d		Dimensions (mm)											Bolt Used		Bearing No.	Housing No.	Housing wt (kg)
	(in)	(mm)	a	e	i	g	l	s	b	z	Bi	n	(mm)	(in)				
SBFN201-8 202-9 202-10 203-11	1/2 9/16 5/8 11/16		76.2	54	11.4	10	18	11	54	27.4	22	6	M8	5/16	SB201-8 202-9 202-10 203-11	FN201 FN202 FN203	0.4	
SBFN201 202 203		12 15 17													SB201 202 203	FN201 FN202 FN203		
SBFN204-12 SBFN204	3/4	20	86	63.5	12.6	11	21	11	64	30.6	25	7	M8	5/16	SB204-12 SB204	FN204	0.5	
SBFN205-14 205-15 205-16	7/8 15/16 1	25	95	70	12.3	11	21	13	70	31.8	27	7.5	M10	3/8	SB205-14 205-15 205-16	FN205	0.57	
SBFN205 SBFN206-18 206-19 206-20	1-1/8 1-3/16 1-1/4	30	108	82.5	12.1	14	24	13	79	34.1	30	8	M10	3/8	SB205 SB206-18 206-19 206-20	FN206	0.88	
SBFN206 SBFN207-20 207-22 207-23	1-1/4 1-3/8 1-7/16	35	117	92	14.6	15	27	14	92	38.1	32	8.5	M12	7/16	SB206 SB207-20 207-22 207-23	FN207	0.96	
SBFN207 SBFN208-24 208-25	1-1/2 1-9/16	40	130	101.6	15.5	16	29	14	105	40.5	34	9	M12	7/16	SB207 SB208-24 208-25	FN208	1.5	
SBFN208 SBFN209-26 209-27 209-28	1-5/8 1-11/16 1-3/4	45	136.5	105	13.8	16	29	16	111	44.8	41.2	10.2	M14	1/2	SB208 SB209-26 209-27 209-28	FN209	1.7	
SBFN209															SB209			

CHANGZHOU KADI INTERNATIONAL

Note: All mentioned names, Trademarks and Part No. are the property of their respective manufacturers, all consumables are not original, are manufactured and sold by KADI CO., reference to the original manufacturer is for convenience only.

THREE-BOLT FLANGE BRACKET UNITS



SBTM200 SERIES SBFCT200 SERIES

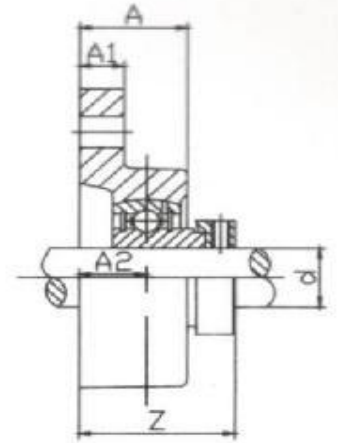
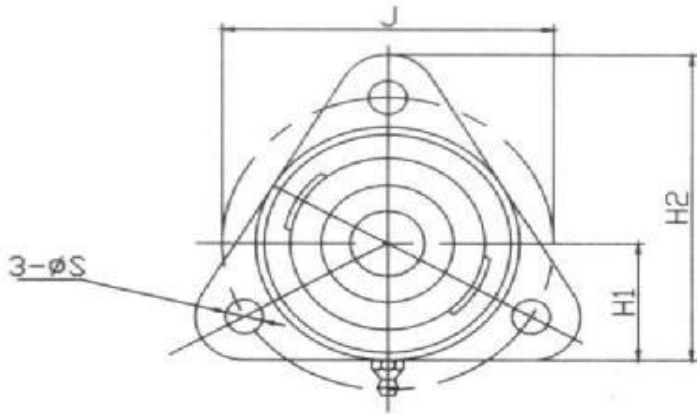
Bearing Unit No.	Shaft Dia		Dimensions (mm)											Bolt Used		Bearing No.	Housing No.	Housing wt (kg)
	(in)	(mm)	a	e	i	g	l	s	b	z	Bi	n	(mm)	(in)				
SBTM201-8 202-9 202-10 203-11	1/2 9/16 5/8 11/16		81	63.5	10.5	10.7	19	7	52	26.5	22	6	M6	1/4	SB201-8 202-9 202-10 203-11	TM203	0.1	
SBTM201 202 203		12 15 17													SB201 202 203			
SBTM204-12 SBTM204	3/4	20	90.5	71.4	10.9	11	19.8	8.7	62	28.9	25	7	M8	5/16	SB204-12 SB204	TM204	0.23	
SBTM205-14 205-15 205-16	7/8 15/16 1		95.2	76.7	11.1	11	19.8	8.7	72	30.5	27	7.5	M8	5/16	SB205-14 205-15 205-16	TM205	0.3	
SBTM205		25													SB205			
SBTM206-18 206-19 206-20	1-1/8 1-3/16 1-1/4		112.7	90.5	11.2	12	21.4	10.3	84	33.1	30	8	M10	3/8	SB206-18 206-19 206-20	TM206	0.36	
SBTM206		30													SB206			
SBTM207-20 207-22 207-23	1-1/4 1-3/8 1-7/16		122	100	11.6	12.7	23	10.3	88	35.1	32	8.5	M10	3/8	SB207-20 207-22 207-23	TM207	0.5	
SBTM207		35													SB207			

Bearing Unit No.	Shaft Dia		Dimensions (mm)											Bolt Used		Bearing No.	Housing No.	Housing wt (kg)
	(in)	(mm)	a	e	i	g	l	s	b	z	Bi	n	(mm)	(in)				
SBFCT201-8 202-9 202-10 203-11	1/2 9/16 5/8 11/16		81	63.5	9.8	10	17.5	7.1	49	25.8	22	6	M6	1/4	SB201-8 202-9 202-10 203-11	FCT203	0.1	
SBFCT201 202 203		12 15 17													SB201 202 203			
SBFCT204-12 SBFCT204	3/4	20	90.4	71.4	11	10	20	8.7	62	29	25	7	M8	5/16	SB204-12 SB204	FCT204	0.2	
SBFCT205-14 205-15 205-16	7/8 15/16 1		95.2	76.2	10.3	12	20	8.7	72	29.8	27	7.5	M8	5/16	SB205-14 205-15 205-15	FCT205	0.2	
SBFCT205		25													SB205			
SBFCT206-18 206-19 206-20	1-1/8 1-3/16 1-1/4		112.5	90.5	12	12	22	10.3	84	34	30	8	M8	5/16	SB206-18 206-19 206-20	FCT206	0.3	
SBFCT206		30													SB206			
SBFCT207-20 207-22 207-23	1-1/4 1-3/8 1-7/16		122	100	13.5	13.5	24	10.3	90	37	32	8.5	M8	5/16	SB207-20 207-22 207-23	FCT207	0.42	
SBFCT207		35													SB207			

CHANGZHOU KADI INTERNATIONAL

Note: All mentioned names, Trademarks and Part No. are the property of their respective manufacturers, all consumables are not original, are manufactured and sold by KADI CO., reference to the original manufacturer is for convenience only.

THREE-BOLT FLANGE BRACKET



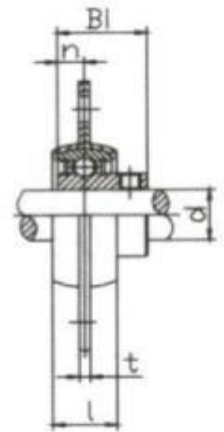
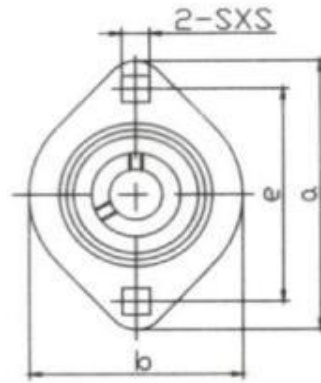
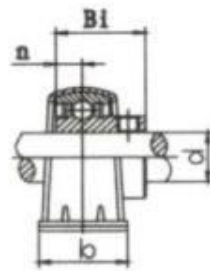
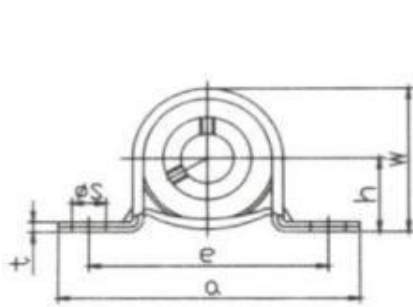
SACFTR200 SERIES

Bearing Unit No.	Shaft Dia d (mm)	Dimensions (mm)								Bolt Used (mm)	Bearing No.	Housing No.	Housing Weight kg
		H2	H1	A	A1	A2	S	J	Z				
SACFTR201 202 203	12 15 17	81	31	20	11	10	11.5	76.1	32.6	M10	SA201 202 203	CFTR203	0.28
SACFTR204	20	92	35	20	11	10.5	11.5	89.5	34.5	M10	SA204	CFTR204	0.4
SACFTR205	25	97	36	22	12	12.5	11.5	96	36	M10	SA205	CFTR205	0.52
SACFTR206	30	117	44	24	12	13.3	11.5	116	41	M10	SA206	CFTR206	0.68
SACFTR207	35	128	48	27	14	15.6	14	129.7	46	M12	SA207	CFTR207	0.86
SACFTR208	40	137	51	30	16	18.3	14	140	53	M12	SA208	CFTR208	1.21
SACFTR209	45	150	55	33	16	19.2	14	160	53.4	M12	SA209	CFTR209	1.31
SACFTR210	50	150	55	33	16	19.2	14	160	52.9	M12	SA210	CFTR210	1.38

CHANGZHOU KADI INTERNATIONAL

Note: All mentioned names, Trademarks and Part No. are the property of their respective manufacturers, all consumables are not original, are manufactured and sold by KADI CO., reference to the original manufacturer is for convenience only

PRESSED HOUSING ROUND UNITS



SBPP200 SERIES

SBPFL200 SERIES

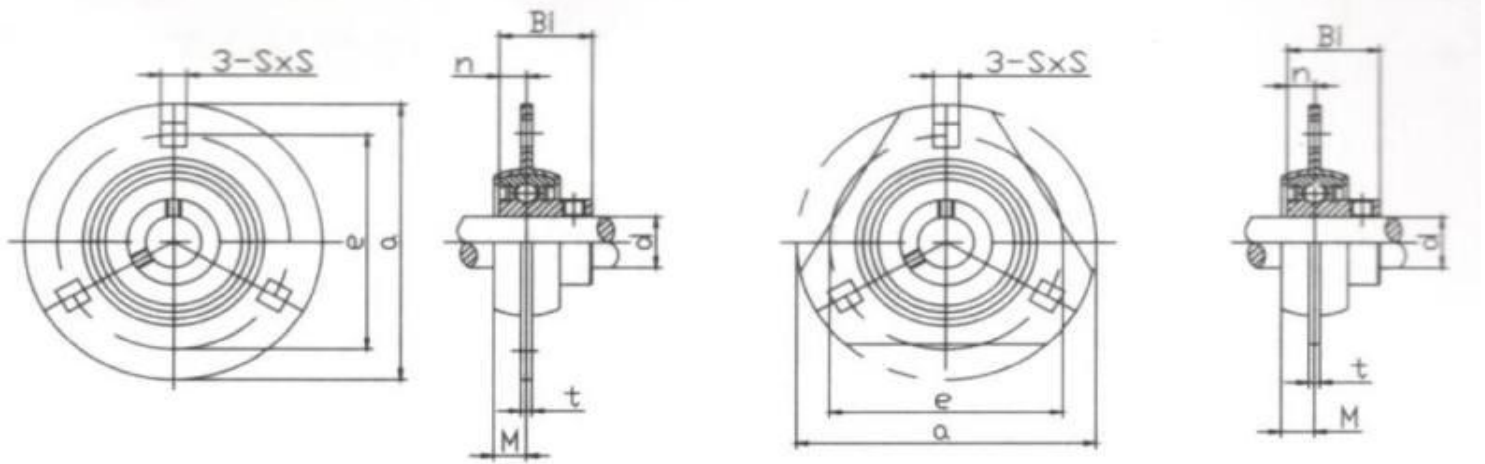
Bearing Unit No.	Shaft Dia d		Dimensions (mm)									Bolt Used		Bearing No.	Housing No.	Housing Wt (kg)
	(in)	(mm)	h	a	e	b	s	t	w	n	Bi	(mm)	(in)			
SBPP201-8 202-9 202-10 203-11	1/2 9/16 5/8 11/16		22.2	86	68	25	9.5	3.2	44	6	22	M8	5/16	SB201-8 202-9 202-10 203-11	PP203	0.16
SBPP201 202 203		12 15 17												SB201 202 203		
SBPP204-12 SBPP204	3/4	20	25.4	98	76	32	9.5	3.2	50	7	25	M8	5/16	SB204-12 SB204	PP204	0.21
SBPP205-13 205-14 205-15 205-16	13/16 7/8 15/16 1		28.6	108	86	32	11.5	4	56	7.5	27	M10	3/8	SB205-13 205-14 205-15 205-16	PP205	0.29
SBPP205		25												SB205		
SBPP206-17 206-18 206-19 206-20	1-1/16 1-1/8 1-3/16 1-1/4		33.3	117	95	38	11.5	4	66	8	30	M10	3/8	SB206-17 206-18 206-19 206-20	PP206	0.45
SBPP206		30												SB206		
SBPP207-20 207-21 207-22 207-23	1-1/4 1-5/16 1-3/8 1-7/16		39.7	129	106	42	11.5	4.6	78	8.5	32	M10	3/8	SB207-20 207-21 207-22 207-23	PP207	0.61
SBPP207		35												SB207		

Bearing Unit No.	Shaft Dia d		Dimensions (mm)								Bolt Used		Bearing No.	Housing No.	Housing Wt (kg)
	(in)	(mm)	a	e	l	b	t	s	n	Bi	(mm)	(in)			
SBPFL201-8 202-9 202-10 203-11	1/2 9/16 5/8 11/16		81	63	14	59	2	7	6	22	M6	1/4	SB201-8 202-9 202-10 203-11	PFL203	0.19
SBPFL201 202 203		12 15 17											SB201 202 203		
SBPFL204-12 SBPFL204	3/4	20	90	71	16	67	2	9	7	25	M8	5/16	SB204-12 SB204	PFL204	0.24
SBPFL205-14 205-15 205-16	7/8 15/16 1		95	76	18	71	2	9	7.5	27	M8	5/16	SB205-14 205-15 205-16	PFL205	0.28
SBPFL205		25											SB205		
SBPFL206-18 206-19 206-20	1-1/8 1-3/16 1-1/4		113	90	18	84	2.6	11	8	30	M10	3/8	SB206-18 206-19 206-20	PFL206	0.38
SBPFL206		30											SB206		
SBPFL207-20 207-21 207-22 207-23	1-1/4 1-5/16 1-3/8 1-7/16		122	100	20	94	2.6	11	8.5	32	M10	3/8	SB207-20 207-21 207-22 207-23	PFL207	0.65
SBPFL207		35											SB207		

CHANGZHOU KADI INTERNATIONAL

Note: All mentioned names, Trademarks and Part No. are the property of their respective manufacturers, all consumables are not original, are manufactured and sold by KADI CO., reference to the original manufacturer is for convenience only.

PRESSED HOUSING ROUND UNITS



SBPF200 SERIES

SBPFT200 SERIES

Bearing Unit No.	Shaft Dia d		Dimensions (mm)							Bolt Used		Bearing No.	Housing No.	Housing Wt (kg)													
	(in)	(mm)	a	e	M	t	s	n	Bi	(mm)	(in)																
SBPF201-8 202-9 202-10 203-11	1/2 9/16 5/8 11/16	12	81	64	7	4	7	6	22	M6	1/4	SB201-8 202-9 202-10 203-11	PF203	0.2													
SBPF201 202 203	15 17																										
SBPF204-12 SBPF204	3/4														20	90	71	8	4	9	7	25	M8	5/16	SB204-12 SBP204	PF204	0.25
SBPF205-14 205-15 205-16	7/8 15/16 1														25	95	76	9	4	9	7.5	27	M8	5/16	SB205-14 205-15 205-16	PF205	0.35
SBPF205	SB205																										
SBPF206-18 206-19 206-20	1-1/8 1-3/16 1-1/4	30	113	90	9	5.2	11	8	30	M10	3/8	SB206-18 206-19 206-20	PF206	0.54													
SBPF206	SB206																										
SBPF207-20 207-22 207-23	1-1/4 1-3/8 1-7/16														35	122	100	10	5.2	11	8.5	32	M10	3/8	SB207-20 207-22 207-23	PF207	0.71
SBPP207	SB207																										

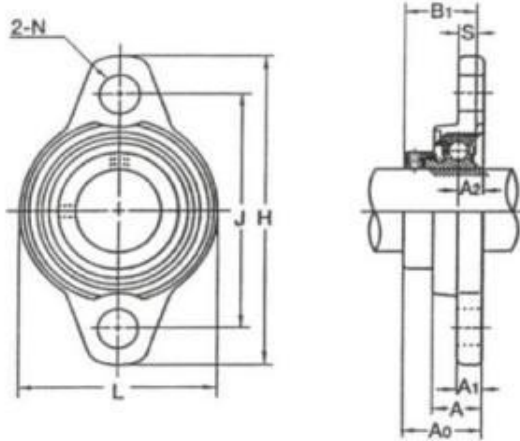
Bearing Unit No.	Shaft Dia d		Dimensions (mm)							Bolt Used		Bearing No.	Housing No.	Housing Wt (kg)															
	(in)	(mm)	a	e	M	t	W	s	n	Bi	(mm)				(in)														
SBPFT201-8 202-9 202-10 203-11	1/2 9/16 5/8 11/16	12	81	64	7	4	29	7	6	22	M6	1/4	SB201-8 202-9 202-10 203-11	PFT203	0.2														
SBPFT201 202 203	15 17																												
SBPFT204-12 SBPFT204	3/4															20	90	71	8	4	33	9	7	25	M8	5/16	SB204-12 SB204	PFT204	0.25
SBPFT205-14 205-15 205-16	7/8 15/16 1															25	95	76	9	4	35	9	7.5	27	M8	5/16	SB205-14 205-15 205-16	PFT205	0.35
SBPFT205	SB205																												
SBPFT206-18 206-19 206-20	1-1/8 1-3/16 1-1/4	30	113	90	9	5.2	38	11	8	30	M10	3/8	SB206-18 206-19 206-20	PFT206	0.54														
SBPFT206	SB206																												
SBPFT207-20 207-22 207-23	1-1/4 1-3/8 1-7/16															35	122	100	10	5.2	45	11	8.5	32	M10	3/8	SB207-20 207-22 207-23	PFT207	0.71
SBPFT207	SB207																												

CHANGZHOU KADI INTERNATIONAL

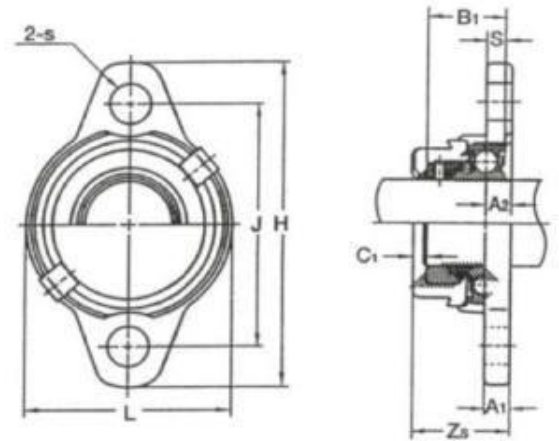
Note: All mentioned names, Trademarks and Part No. are the property of their respective manufacturers, all consumables are not original, are manufactured and sold by KADI CO., reference to the original manufacturer is for convenience only.

ZINC ALLOY BEARING UNITS

UFL000



UFL000C(E)



UFL000 SERIES

UFL000C(E) SERIES

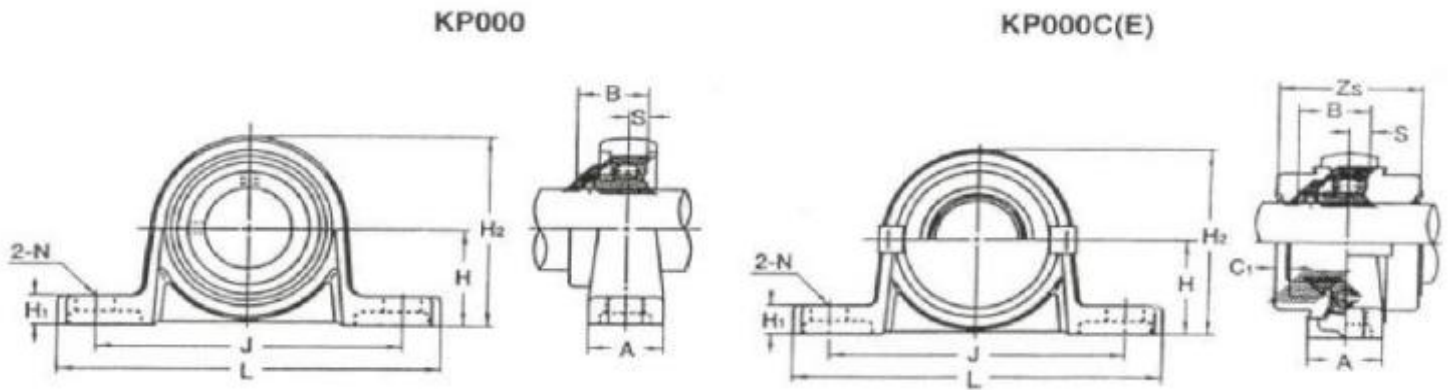
带座轴承代号 Bearing Unit No.	轴径 Shaft Dia	外形尺寸 (毫米) Dimensions (mm)												螺栓 Bolt Used
	d	H	J	A1	A2	A	N	L	A0	B1	S	C1	Zs	
	(mm)													
UFL08	8	48	37	45	4	8.5	4.8	27	16	15	3.5	-	-	M4
UFL000 UFL001 UFL002	10 12 15	60 63 67	45 48 53	5.5 5.5 6.5	5.5 5.5 6.5	11.5 11.5 13	7 7 7	36 38 42	19 19 20.5	17.5 17.5 18.5	4 4 4.5	2 2 2	22 22 24	M6 M6 M6
UFL003 UFL004 UFL005	17 20 25	71 90 95	56 71 75	7 8 8	7 8 8	14 16 16	7 10 10	46 55 60	22.5 26.5 27.5	20.5 24.5 25.5	5 6 6	2 3 3	26 31 32	M6 M8 M8
UFL006 UFL007	30 35	112 122	85 95	9 10	9 10	18 20	13 13	70 80	29 32.5	26.5 29.5	6.5 7	4 4	34 38	M10 M10

轴承 Bearing No.	轴承座 Housing No.	带端盖 轴承座代号 Unit No. with covers	不锈钢端盖 Stainless steel cover No.		重量 weight(kg)	
		开式 (闭式) Open (closed)	开式 Open	闭式 Closed	普通 Normal	带盖 With cover
U08	FL08	-	-	-	30	-
U000 U001 U002	FL000 FL001 FL002	UFL000C(E) UFL001C(E) UFL002C(E)	000CP10 001CP12 002CP15	000CPE 001CPE2 002CPE	60 76 100	65 80 105
U003 U004 U005	FL003 FL004-5 FL005-6	UFL003C(E) UFL004C(E) UFL005C(E)	003CP17 04-5CP20 05-6CP25	003CPE 04-5CPE 05-6CPE	129 206 244	135 215 255
U006 U007	FL006-7 FL007-8	UFL006C(E) UFL007C(E)	06-7CP30 07-8CP35	06-7CPE 07-8CPE	354 498	370 520

CHANGZHOU KADI INTERNATIONAL

Note: All mentioned names, Trademarks and Part No. are the property of their respective manufacturers, all consumables are not original, are manufactured and sold by KADI CO., reference to the original manufacturer is for convenience only.

ZINC ALLOY BEARING UNITS



KP000 SERIES

KP000C(E) SERIES

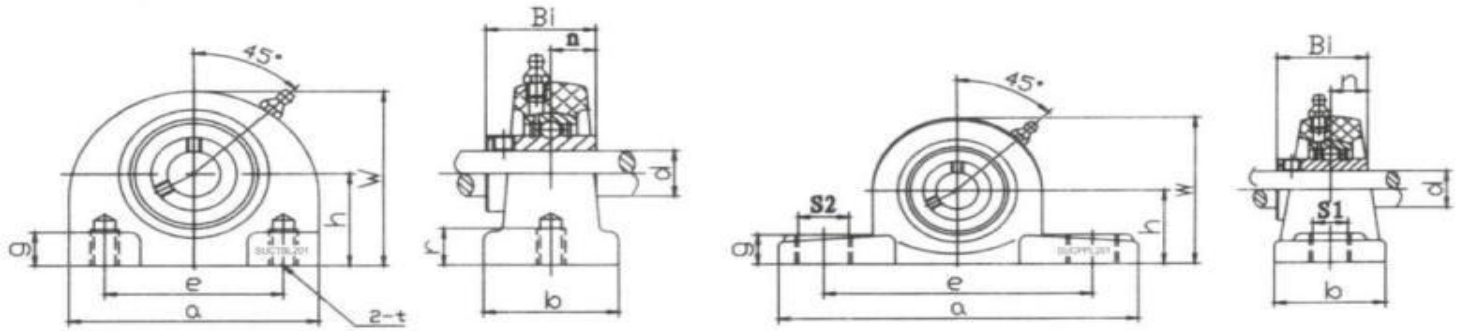
带座轴承代号 Bearing Unit No.	Shaft Dia	外形尺寸 (毫米) Dimensions (mm)											螺栓 Bolt Used
	d	H	L	J	A	N	H1	H2	B	S	C1	Zs	
	(mm)												
KP000	10	18	67	53	16	7	6	35	14	4	5.56	33	M6
KP001	12	19	71	56	16	7	6	38	14.5	4	5	33	M6
KP002	15	22	80	63	16	7	7	43	16.5	4.5	4	34	M6
KP003	17	24	85	67	18	7	7	47	17.5	5	5.5	38	M6
KP004	20	28	100	80	20	10	9	55	21	6	7	46	M8
KP005	25	32	112	90	20	10	10	62	22.5	6	6	47	M8
KP006	30	36	132	106	26	13	11	70	24.5	6.5	6	50	M10

轴承 Bearing No.	轴承座 Housing No.	带端盖 轴承座代号 Unit No. with covers	不锈钢端盖 Stainless steel cover No.		重量 weight(kg)	
		开式 (闭式) Open (closed)	开式 Open	闭式 Closed	普通 Normal	带盖 With cover
K000	P000	P000C(E)	000CP10	000CPE	70	78
K001	P001	P001C(E)	001CP12	001CPE	80	89
K002	P002	P002C(E)	002CP15	002CPE	120	130
K003	P003	P003C(E)	003CP17	003CPE	140	154
K004	P04-5	P004C(E)	04-5CP20	04-5CPE	210	230
K005	P05-6	P005C(E)	05-6CP25	05-6CPE	270	291
K006	P06-7	P006C(E)	06-7CO30	06-7CPE	410	436

CHANGZHOU KADI INTERNATIONAL

Note: All mentioned names, Trademarks and Part No. are the property of their respective manufacturers, all consumables are not original, are manufactured and sold by KADI CO., reference to the original manufacturer is for convenience only.

THERMOPLASTIC UNITS



SUCTBL200 SERIES

SUCPPL200 SERIES

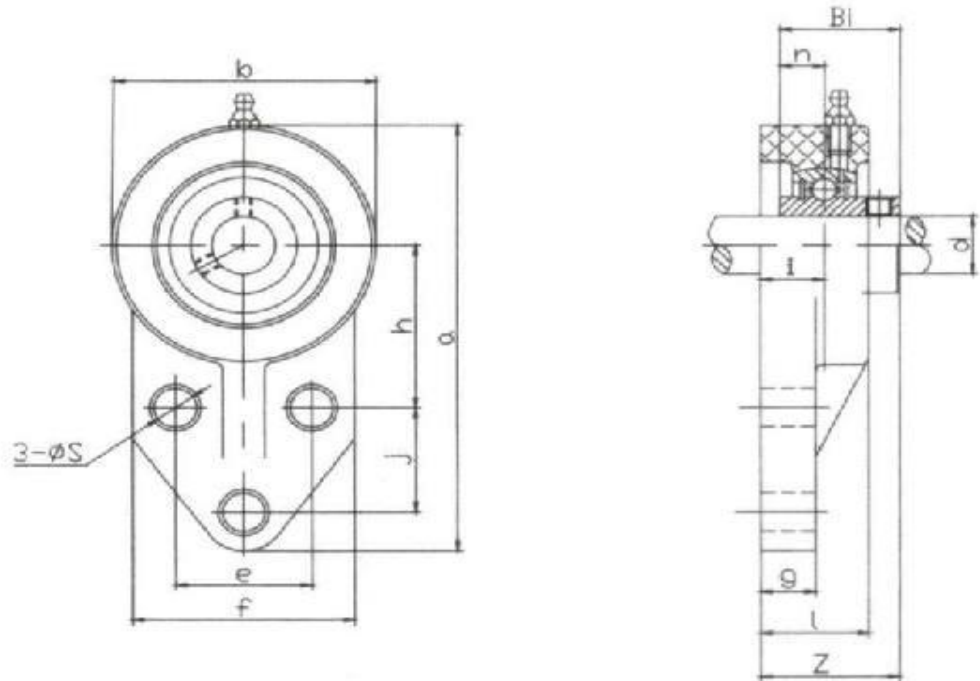
Bearing Unit No.	Shaft Dia d		Dimensions (mm)									Bolt Used		Bearing No.	Housing No.	Housing Wt (kg)
	(in)	(mm)	h	a	e	b	r	W	Bi	n	t	(in)				
SUCTBL201-8 202-10 204-12	1/2 5/8 3/4		33.3	73	50.8	38.1	11.1	66	31	12.7	3/8-16		SUC201-8 202-10 204-12	TBL204	0.12	
SUCTBL204		20											SUCL204			
SUCTBL205-14 205-15 205-16	7/8 15/16 1		36.5	76.2	50.8	38	12	72	34	14.3	3/8-16		SUC205-14 205-15 205-16	TBL205	0.15	
SUCTBL205		25											SUC205			
SUCTBL206-17 206-18 206-19 206-20	1-1/16 1-1/8 1-3/16 1-1/4		42.9	102	76.2	38.1	17.5	111	38.1	15.9	7/16-14		SUC206-17 206-18 206-19 206-20	TBL206	0.2	
SUCTBL206		30											SUC206			
SUCTBL207-20 207-21 207-22 207-23	1-1/4 1-5/16 1-3/8 1-7/16		47.6	110	82.6	48	16	96	42.9	17.5	1/2-13		SUC207-20 207-21 207-22 207-23	TBL207	0.25	
SUCTBL207		35											SUC207			
SUCTBL208-24 SUCTBL208	1-1/2	40	49.2	120	88.9	54	16	101	49.2	19	1/2-13		SUC208-24 SUC208	TBL208	0.3	

Bearing Unit No.	Shaft Dia d		Dimensions										Bolt Used		Bearing No.	Housing No.	Housing Wt (kg)
	(in)	(mm)	h	a	e	b	s1	s2	g	W	Bi	n	in	mm			
SUCPPL201-8 202-10 204-12	1/2 5/8 3/4		33.3	127	95	38	11	14	14.2	65	31	12.7	3/8	M10	SUC201-8 202-10 204-12	PPL204	0.13
SUCPPL204		20													SUC204		
SUCPPL205-14 205-15 205-16	7/8 15/16 1		36.5	140	105	38	11	14	14.5	71	34	14.3	3/8	M10	SUC205-14 205-15 205-16	PPL205	0.15
SUCPPL205		25													SUC205		
SUCPPL206-17 206-18 206-19 206-20	1-1/16 1-1/8 1-3/16 1-1/4		42.9	162	119	46	14	18	17.8	83	38.1	15.9	7/16	M12	SUC206-17 206-18 206-19 206-20	PPL206	0.24
SUCPPL206		30													SUC206		
SUCPPL207-20 207-21 207-22 207-23	1-1/4 1-5/16 1-3/8 1-7/16		47.6	167	127	48	14	18	18	94	42.9	17.5	1/2	M14	SUC207-20 207-21 207-22 207-23	PPL207	0.3
SUCPPL207		35													SUC207		
SUCPPL208-24 SUCPPL208	1-1/2	40	49.2	184	137	54	14	18	19.5	98	49.2	19	1/2	M14	SUC208-24 SUC208	PPL208	0.35
SUCPPL209-26 209-27 209-28	1-5/8 1-11/16 1-3/4		54	192	146	54	17	20	23	106	49.2	19	1/2	M14	SUC209-26 209-27 209-28	PPL209	0.42
SUCPPL209		45													SUC209		
SUCPPL210-30 210-31 210-32	1-7/8 1-15/16 2		57.2	206	159	60	17	20	23	114	51.6	19	5/8	M16	SUC210-30 210-31 210-32	PPL210	0.42
SUCPPL210		50													SUC210		

CHANGZHOU KADI INTERNATIONAL

Note: All mentioned names, Trademarks and Part No. are the property of their respective manufacturers, all consumables are not original, are manufactured and sold by KADI CO., reference to the original manufacturer is for convenience only.

THERMOPLASTIC UNITS



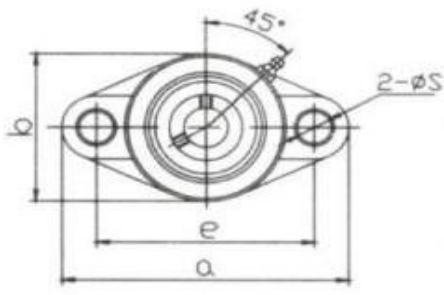
SUCFBL200 SERIES

Bearing Unit No.	Shaft Dia d		Dimensions (mm)											Bolt Used		Bearing No.	Housing No.	Housing Wt (kg)	
	(in)	(mm)	a	h	e	j	i	g	l	s	b	Z	Bi	n	in				mm
SUCFBL201-8 202-10 204-12	1/2 5/8 3/4	20	110	42.9	38.1	22.2	15	8	25	10	60	33.3	31	12.7	5/16	M8	SUC201-8 202-10 204-12	FBL204	0.09
SUCFBL204	SUC204																		
SUCFBL205-14 205-15 205-16	7/8 15/16 1																25		
SUCFBL205	SUC205																		
SUCFBL206-17 206-18 206-19 206-20	1-1/16 1-1/8 1-3/16 1-1/4	30	130	50	40	29	18	13	31	10	78	40.2	38	15.9	5/16	M8		SUC206-17 206-18 206-19 206-20	FBL206
SUCFBL206	SUC206																		
SUCFBL207-20 207-21 207-22 207-23	1-1/4 1-5/16 1-3/8 1-7/16																35	144	
SUCFBL207	SUC207																		
SUCFBL208-24 SUCFBL208	1-1/2	40	164	60	50	41	21	16	36	12	100	51.2	49.2	19	7/16	M12			SUC208-24 SUC208

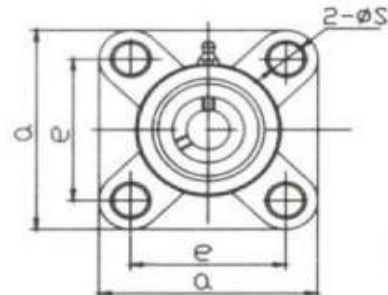
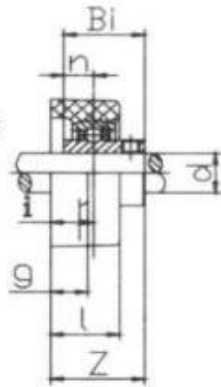
CHANGZHOU KADI INTERNATIONAL

Note: All mentioned names, Trademarks and Part No. are the property of their respective manufacturers, all consumables are not original, are manufactured and sold by KADI CO., reference to the original manufacturer is for convenience only.

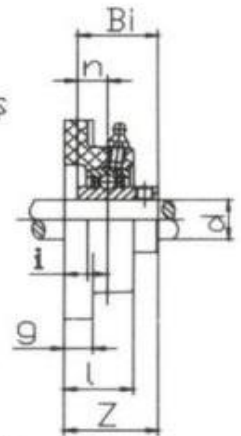
THERMOPLASTIC UNITS



SUCNFL200 SERIES



SUCFPL200 SERIES



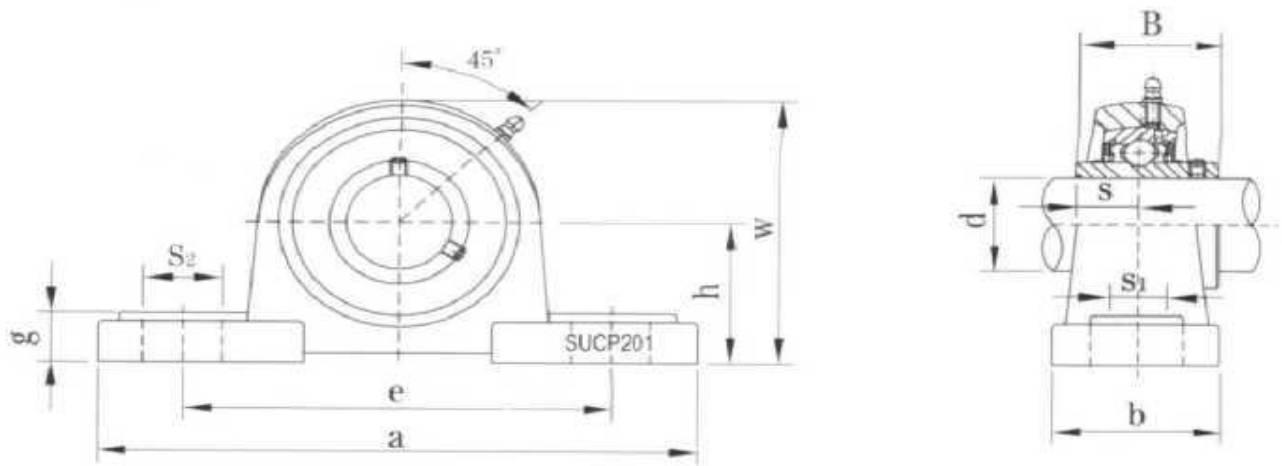
Bearing Unit No.	Shaft Dia d		Dimensions										Bolt Used		Bearing No.	Housing No.	Housing Wt (kg)
	(in)	(mm)	a	e	i	g	l	s	b	z	Bi	m	in	mm			
SUCNFL201-8 202-10 204-12	1/2 5/8 3/4		113	90	15	12	26.5	11	60	33.3	31	12.7	3/8	M10	SUC201-8 202-10 204-12	NFL204	0.08
SUCNFL204		20													SUC204		
SUCNFL205-14 205-15 205-16	7/8 15/16 1		130	99	16	13	29.5	11	68	35.7	34	14.3	3/8	M10	SUC205-14 205-15 205-16	NFL205	0.12
SUCNFL205		25													SUC205		
SUCNFL206-17 206-18 206-19 206-20	1-1/16 1-1/8 1-3/16 1-1/4		148	117	18	14	30.5	11	80	40.2	38.1	15.9	7/16	M12	SUC206-17 206-18 206-19 206-20	NFL206	0.16
SUCNFL206		30													SUC206		
SUCNFL207-20 207-21 207-22 207-23	1-1/4 1-5/16 1-3/8 1-7/16		163	130	19	16	32.8	13	90	44.4	42.9	17.5	1/2	M14	SUC207-20 207-21 207-22 207-23	NFL207	0.2
SUCNFL207		35													SUC207		
SUCNFL208-24 SUCNFL208	1-1/2		175	144	21	20	37.5	14	100	51.2	49.2	19	1/2	M14	SUC208-24 SUC208	NFL208	0.25
SUCNFL209-26 209-27 209-28	1-5/8 1-11/16 1-3/4		188	148.5	24	21	41	17	108	52.2	49.2	19	5/8	M16	SUC209-26 209-27 209-28	NFL209	0.3
SUCNFL209		45													SUC209		
SUCNFL210-30 210-31 210-32	1-7/8 1-15/16 2		197	157	25	21	43	17	115	54.6	51.6	19	5/8	M16	SUC210-30 210-31 210-32	NFL210	0.36
SUCNFL210		50													SUC210		

Bearing Unit No.	Shaft Dia d		Dimensions (mm)										Bolt Used		Bearing No.	Housing No.	Housing Wt (kg)
	(in)	(mm)	a	e	i	g	l	s	z	Bi	m	in	mm				
SUCFPL201-8 202-10 204-12	1/2 5/8 3/4		86	63.5	15	13	28	11	33.3	31	12.7	3/8	M10	SUC201-8 202-10 204-12	FPL204	0.1	
SUCFPL204		20													SUC204		
SUCFPL205-14 205-15 205-16	7/8 15/16 1		95	70	16	14	28	11	35.7	34	14.3	3/8	M10	SUC205-14 205-15 205-16	FPL205	0.16	
SUCFPL205		25													SUC205		
SUCFPL206-17 206-18 206-19 206-20	1-1/16 1-1/8 1-3/16 1-1/4		107	83	18	14	31	11	40.2	38.1	15.9	7/16	M12	SUC206-17 206-18 206-19 206-20	FPL206	0.24	
SUCFPL206		30													SUC206		
SUCFPL207-20 207-21 207-22 207-23	1-1/4 1-5/16 1-3/8 1-7/16		118	92	19	15	33	13	44.4	42.9	17.5	1/2	M14	SUC207-20 207-21 207-22 207-23	FPL207	0.26	
SUCFPL207		35													SUC207		
SUCFPL208-24 SUCFPL208	1-1/2		130	102	21	17	38	14	51.2	49.2	19	1/2	M14	SUC208-24 SUC208	FPL208	0.32	
SUCFPL209-26 209-27	1-5/8 1-11/16		137	105	24	19	41	17	52.2	49.2	19	1/2	M14	SUC209-26 209-27	FPL209	0.36	
SUCFPL209		45													SUC209		
SUCFPL210-30 210-31	1-7/8 1-15/16		143	111	25	21	43	17	54.6	51.6	19	1/2	M14	SUC210-30 210-31	FPL210	0.43	
SUCFPL210		50													SUC210		

CHANGZHOU KADI INTERNATIONAL

Note: All mentioned names, Trademarks and Part No. are the property of their respective manufacturers, all consumables are not original, are manufactured and sold by KADI CO., reference to the original manufacturer is for convenience only.

BALL BEARING UNITS



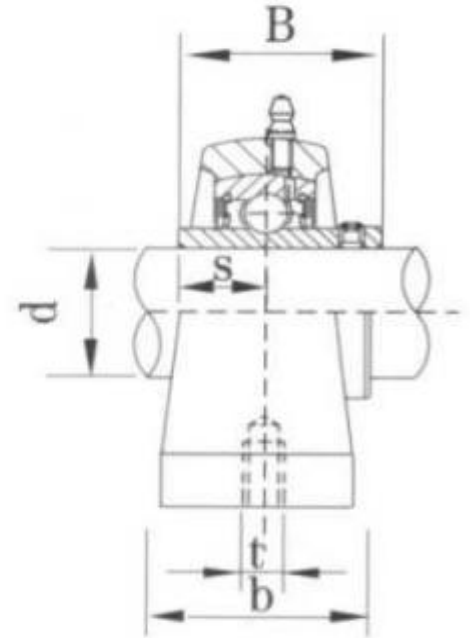
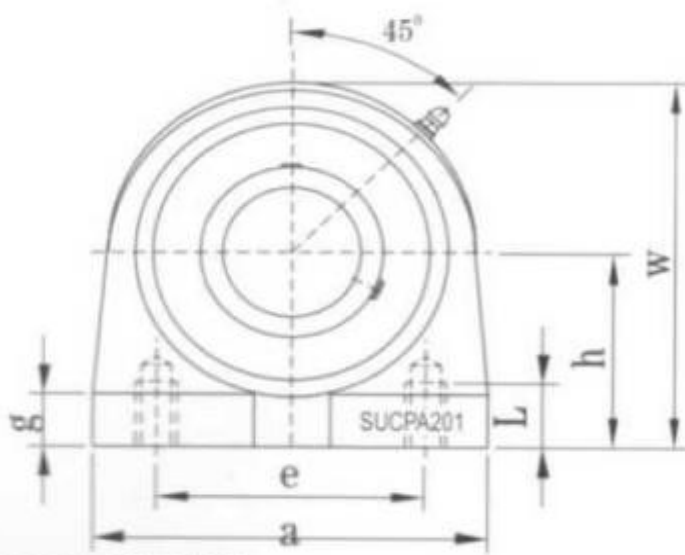
SUCP200 SERIES

带座轴承型号 Bearing Unit No.	轴 径 Bore Dia		外型尺寸 (英寸) 或 (毫米) Dimensions (in) or (mm)										轴承 Bearing No.	轴承座 Housing No.	重量 Weight (kg)											
	d		h	a	e	b	S1	S2	g	W	S	B														
	(in)	(mm)																								
SUCP201	1/2 5/8 11/16	12	1.3110 33.3	4.9606 126	3.7402 95	1.4961 38	0.4331 11	0.6890 17.5	0.5945 15.1	2.5630 65.1	0.5000 12.7	1.2250 31	SUC201	SP204	0.88											
201-8		15											SUC204													
202		17											SUC205													
202-10		20											SUC206													
203		25											SUC207													
203-11	20	33.3	126	95	38	11	17.5	15.1	65.1	12.7	31	SUC208	SP208	2.46												
SUCP204	3/4	20	33.3	126	95	38	11	17.5	15.1	65.1	12.7	31	SUC209	SP209	2.77											
204-12		25	36.5	140	105	38	12.7	18	16	70	14.3	34.1	SUC210	SP210	3.18											
SUCP205		7/8	1.4370	5.5118	4.1338	1.4961	0.5000	0.7087	0.6299	2.7559	0.5630	1.3425	SUC206	SP206	1.61											
205-14	15/16	30	42.9	165	121	48	14.3	21	18	83	15.9	38.1	SUC207	SP207	1.90											
205-15													35			1.8740	6.5748	5.0000	1.8898	0.5630	0.8661	0.7480	3.7008	0.6890	1.6890	SUC208
205-16													40			47.6	167	127	48	14.3	22	19	94	17.5	42.9	SUC209
SUCP206	1-1/16 1-1/8 1-3/16 1-1/4	30	42.9	165	121	48	14.3	21	18	83	15.9	38.1	SUC210	SP210	3.18											
206-17													35			1.8740	6.5748	5.0000	1.8898	0.5630	0.8661	0.7480	3.7008	0.6890	1.6890	SUC206
206-18													40			1.9370	7.2441	5.3740	2.1260	0.5630	0.8661	0.7480	3.9370	0.7480	1.9370	SUC207
206-19													45			2.1260	7.4803	5.7480	2.1260	0.5906	0.8268	0.7874	4.2913	0.7480	1.9370	SUC208
206-20	50	54.0	190	146	54	15	21	20	109	19.0	49.2	SUC209	SP209	2.77												
SUCP207	1-1/4 1-5/16 1-3/8 1-7/16	35	47.6	167	127	48	14.3	22	19	94	17.5	42.9	SUC210	SP210	3.18											
207-20													40			1.9370	7.2441	5.3740	2.1260	0.5630	0.8661	0.7480	3.9370	0.7480	1.9370	SUC206
207-21													45			2.1260	7.4803	5.7480	2.1260	0.5906	0.8268	0.7874	4.2913	0.7480	1.9370	SUC207
207-22	50	54.0	190	146	54	15	21	20	109	19.0	49.2	SUC208	SP208	2.46												
207-23	55	57.2	206	159	60	18	24	22	114	19.0	51.6	SUC209	SP209	2.77												
SUCP208	1-1/2 1-9/16	40	49.2	184	136.5	54	14.3	22	19	100	19.0	49.2	SUC210	SP210	3.18											
208-24													45			2.1260	7.4803	5.7480	2.1260	0.5906	0.8268	0.7874	4.2913	0.7480	1.9370	SUC206
208-25													50			54.0	190	146	54	15	21	20	109	19.0	49.2	SUC207
SUCP209													1-5/8 1-11/16 1-3/4			45	54.0	190	146	54	15	21	20	109	19.0	49.2
209-26	50	2.2520	8.1102	6.2598	2.3622	0.7087	0.9449	0.8661	4.4882	0.7480	2.0315	SUC208														
209-27	55	2.2520	8.1102	6.2598	2.3622	0.7087	0.9449	0.8661	4.4882	0.7480	2.0315	SUC209														
209-28	60	57.2	206	159	60	18	24	22	114	19.0	51.6	SUC210	SP210	3.18												
SUCP210	1-13/16 1-7/8 1-15/16 2	50	57.2	206	159	60	18	24	22	114	19.0	51.6	SUC209	SP209	2.77											
210-29													55			2.2520	8.1102	6.2598	2.3622	0.7087	0.9449	0.8661	4.4882	0.7480	2.0315	SUC209
210-30													60			2.2520	8.1102	6.2598	2.3622	0.7087	0.9449	0.8661	4.4882	0.7480	2.0315	SUC210
210-31													65			2.2520	8.1102	6.2598	2.3622	0.7087	0.9449	0.8661	4.4882	0.7480	2.0315	SUC210
210-32	70	57.2	206	159	60	18	24	22	114	19.0	51.6	SUC210	SP210	3.18												

CHANGZHOU KADI INTERNATIONAL

Note: All mentioned names, Trademarks and Part No. are the property of their respective manufacturers, all consumables are not original, are manufactured and sold by KADI CO., reference to the original manufacturer is for convenience only.

BALL BEARING UNITS



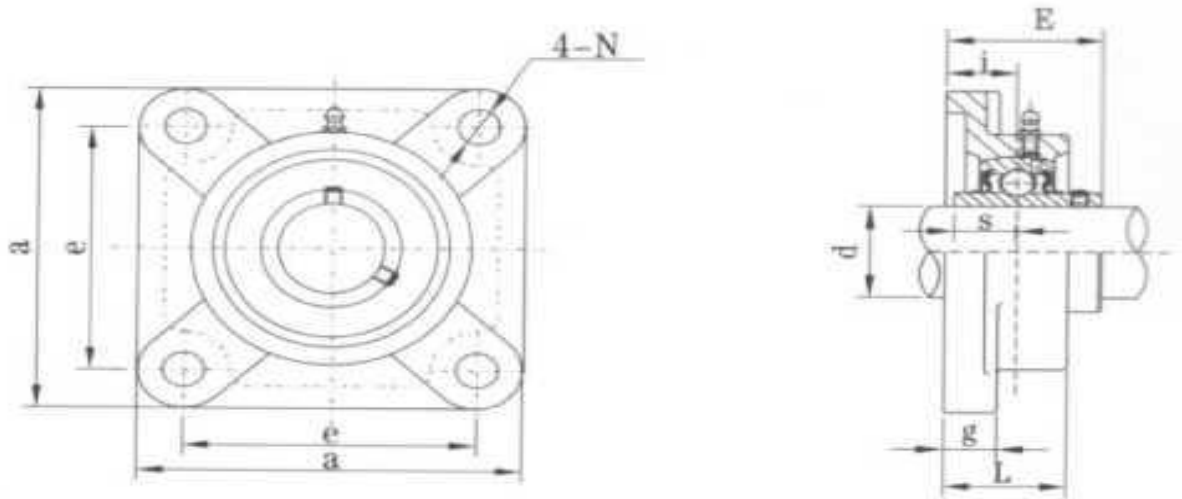
SUCPA200 SERIES

No.	C		h	a	e	b	W	f	L	S	B			
	(in)	(mm)												
SUCPA201 201-8 202 202-10 203 203-11	1/2 5/8 11/16	12 15 17	1.3110 33.3	2.8740 73	2.0000 50.8	1.4961 38	2.5591 65	3/8"-16	0.5118 13	0.5000 12.7	1.2250 31	SUC201 201-8 202 202-10 203 203-11	SPA203	0.71
SUCPA204 204-12	3/4	20	1.3110 33.3	2.8740 73	2.0000 50.8	1.4961 38	2.5591 65	3/8"-16	0.5118 13	0.5000 12.7	1.2250 31	SUC204 204-12	SPA204	0.68
SUCPA205 205-14 205-15 205-16	7/8 15/16 1	25	1.4370 36.5	2.9921 76	2.0000 50.8	1.4960 38	2.7953 71	3/8"-16	0.5118 13	0.5630 14.3	1.3425 34.1	SUC205 205-14 205-15 205-16	SPA205	0.85
SUCPA206 206-17 206-18 206-19 206-20	1-1/16 1-1/8 1-3/16 1-1/4	30	1.6890 42.9	4.0157 102	3.0000 76.2	1.4960 38	3.3858 86	7/16"-14	0.6299 16	0.6260 15.9	1.5000 38.1	SUC206 206-17 206-18 206-19 206-20	SPA206	1.10
SUCPA207 207-20 207-21 207-22 207-23	1-1/4 1-5/16 1-3/8 1-7/16	35	1.8740 47.6	4.2520 108	3.2520 82.6	1.8898 48	3.7402 95	1/2"-13	0.7480 19	0.6890 17.5	1.6890 42.9	SUC207 207-20 207-21 207-22 207-23	SPA207	1.48
SUCPA208 208-24 208-25	1-1/2 1-9/16	40	1.9370 49.2	4.6063 117	3.5000 88.9	1.8898 48	3.9370 100	1/2"-13	0.7480 19	0.7480 19.0	1.9370 49.2	SUC208 208-24 208-25	SPA208	1.80
SUCPA209 209-26 209-27 209-28	1-5/8 1-11/16 1-3/4	45	2.1260 54.0	5.0000 127	3.7520 95.3	2.0079 51	4.2520 108	1/2"-13	0.7480 19	0.7480 19.0	1.9370 49.2	SUC209 209-26 209-27 209-28	SPA209	2.50
SUCPA210 210-29 210-30 210-31 210-32	1-13/16 1-7/8 1-15/16 2	50	2.2520 57.2	5.5118 140	4.0000 101.6	2.0079 51	4.6063 117	5/8"-11	0.8661 22	0.7480 19.0	2.0315 51.6	SUCP210 210-29 210-30 210-31 210-32	SPA210	3.10

CHANGZHOU KADI INTERNATIONAL

Note: All mentioned names, Trademarks and Part No. are the property of their respective manufacturers, all consumables are not original, are manufactured and sold by KADI CO., reference to the original manufacturer is for convenience only.

BALL BEARING UNITS



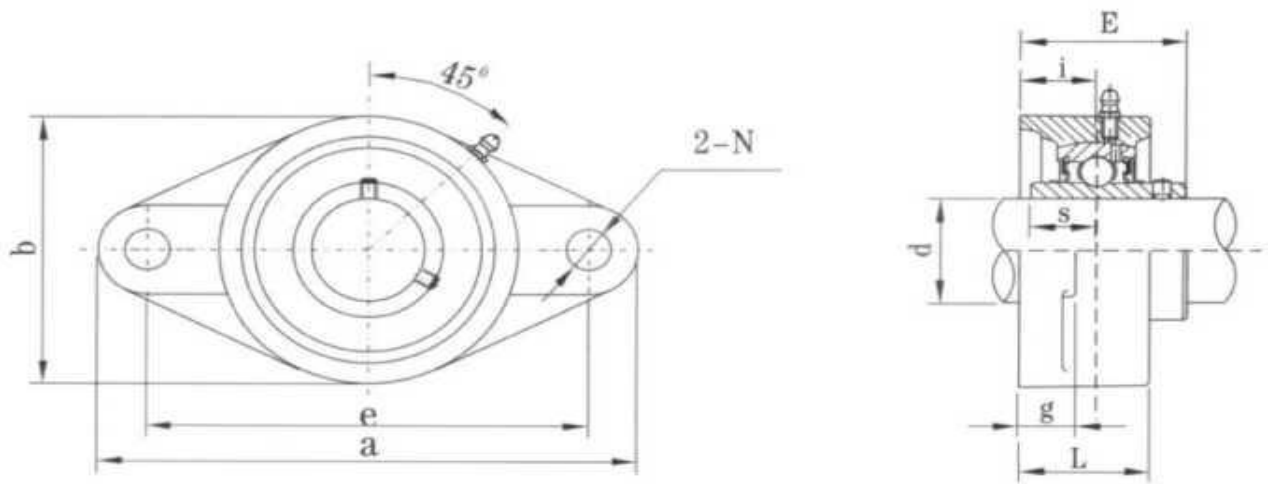
SUCPF200 SERIES

带座轴承型号 Bearing Unit No.	轴径 Bore Dia		外型尺寸 (英寸) 或 (毫米) Dimensions (in) or (mm)								轴承 Bearing No.	轴承座 Housing No.	重量 Weight (kg)
	d		a	e	i	g	L	N	E	S			
	(in)	(mm)											
SUCPF201 201-8 202 202-10 203 203-11	1/2 5/8 11/16	12 15 17	3.3858 86	2.5000 63.5	0.5945 15.1	0.4724 12	1.0000 25.4	0.4331 11	1.3135 33.4	0.5000 12.7	SUC201 201-8 202 202-10 203 203-11	SF204	0.66
SUCF204 204-12	3/4	20	3.3858 86	2.5000 63.5	0.5945 15.1	0.4724 12	1.0000 25.4	0.4331 11	1.3135 33.4	0.5000 12.7	SUC204 204-12	SF204	0.63
SUCF205 205-14 205-15 205-16	7/8 15/16 1	25	3.7402 95	2.7559 70	0.6260 15.9	0.5512 14	1.0630 27	0.4528 11.5	1.4055 35.7	0.5630 14.3	SUC205 205-14 205-15 205-16	SF205	0.85
SUCF206 206-17 206-18 206-19 206-20	1-1/16 1-1/8 1-3/16 1-1/4	30	4.2520 108	3.2677 83	0.7047 17.9	0.5512 14	1.1811 30	0.5157 13.1	1.5787 40.1	0.6260 15.9	SUC206 206-17 206-18 206-19 206-20	SF206	1.17
SUCF207 207-20 207-21 207-22 207-23	1-1/4 1-5/16 1-3/8 1-7/16	35	4.6260 117.5	3.6220 92	0.7520 19.1	0.5630 14.3	1.2992 33	0.5157 13.1	1.7520 44.5	0.6890 17.5	SUC207 207-20 207-21 207-22 207-23	SF207	1.51
SUCF208 208-24 208-25	1-1/2 1-9/16	40	5.1181 130	4.0157 102	0.8268 21	0.5630 14.3	1.4173 36	0.5512 14	2.0157 51.2	0.7480 19.0	SUC208 208-24 208-25	SF208	2.02
SUCF209 209-26 209-27 209-28	1-5/8 1-11/16 1-3/4	45	5.3937 137	4.1338 105	0.8583 21.8	0.5630 14.3	1.4961 38	0.6299 16	2.0472 52.0	0.7480 19.0	SUC209 209-26 209-27 209-28	SF209	2.18
SUCF210 210-29 210-30 210-31 210-32	1-13/16 1-7/8 1-15/16 2	50	5.6299 143	4.3701 111	0.8583 21.8	0.5945 15.1	1.5354 39	0.6299 16	2.1417 54.4	0.7480 19.0	SUCP210 210-29 210-30 210-31 210-32	SF210	2.43

CHANGZHOU KADI INTERNATIONAL

Note: All mentioned names, Trademarks and Part No. are the property of their respective manufacturers, all consumables are not original, are manufactured and sold by KADI CO., reference to the original manufacturer is for convenience only.

BALL BEARING UNITS



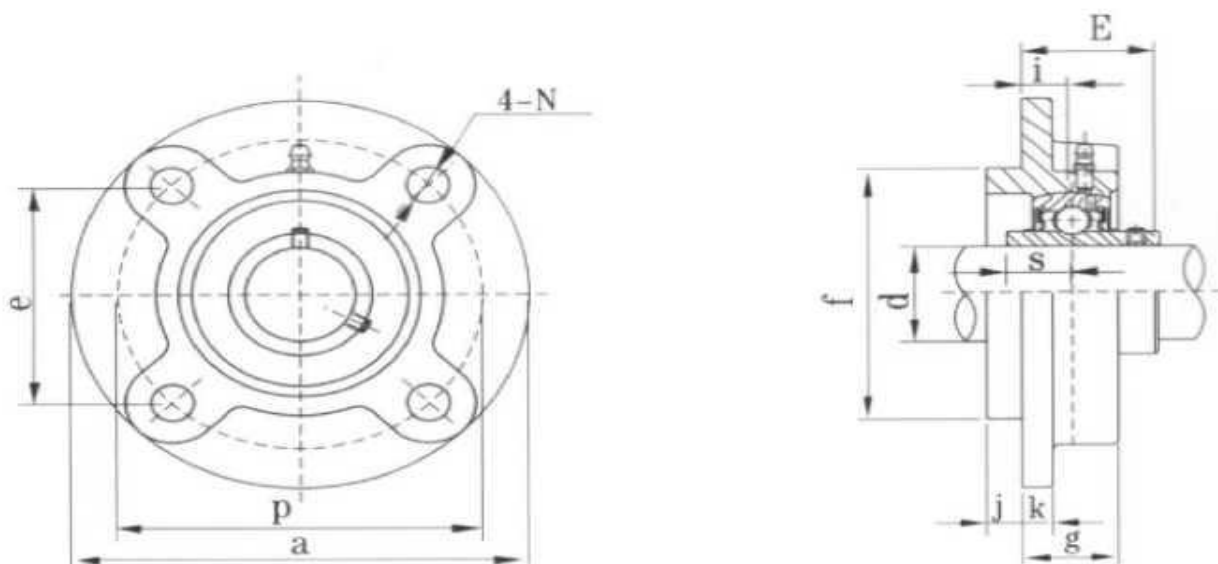
SUCFL200 SERIES

带座轴承型号 Bearing Unit No.	轴 径 Bore Dia		外型尺寸 (英寸) 或 (毫米) Dimensions (in) or (mm)									轴承 Bearing No.	轴承座 Housing No.	重量 Weight (kg)
	d		a	e	i	b	g	L	N	E	S			
	(in)	(mm)												
SUCFL201 201-8 202 202-10 203 203-11	1/2	12	4.4094	3.5433	0.5945	2.3622	0.4528	1.0000	0.3937	1.3150	0.5000	SUC201 201-8 202 202-10 203 203-11	SFL203	0.51
		15												
	5/8	17	112	90	15.1	60	11.5	25.4	10	33.4	12.7			
		11/16												
SUCFL204 204-12	3/4	20	4.4094	3.5433	0.5945	2.3622	0.4528	1.0000	0.3937	1.3150	0.5000	SUC204 204-12	SFL204	0.48
			112	90	15.1	60	11.5	25.4	10	33.4	12.7			
SUCFL205 205-14 205-15 205-16	7/8	25	4.9213	3.8976	0.6260	2.6772	0.5118	1.0630	0.4724	1.4055	0.5630	SUC205 205-14 205-15 205-16	SFL205	0.64
		15/16												
	1	125	99	15.9	68	13	27	12	35.7	14.3				
SUCFL206 206-17 206-18 206-19 206-20	1-1/16	30	5.5512	4.6063	0.7047	3.1496	0.5118	1.1811	0.4724	1.5787	0.6260	SUC206 206-17 206-18 206-19 206-20	SFL206	0.90
		1-1/8												
	1-3/16	141	117	17.9	80	13	30	12	40.1	15.9				
	1-1/4													
SUCFL207 207-20 207-21 207-22 207-23	1-1/4	35	6.1220	5.1181	0.7520	3.5433	0.5630	1.2992	0.5118	1.7520	0.6890	SUC207 207-20 207-21 207-22 207-23	SFL207	1.22
		1-5/16												
	1-3/8	155.5	130	19.1	90	14.3	33	13	44.5	17.5				
	1-7/16													
SUCFL208 208-24 208-25	1-1/2	40	6.7323	5.6693	0.8268	3.9370	0.5630	1.4173	0.5118	2.0157	0.7480	SUC208 208-24 208-25	SLF208	1.63
		1-9/16	171.5	144	21	100	14.3	36	13	51.2	19.0			
SUCFL209 209-26 209-27 209-28	1-5/8	45	7.0472	5.8268	0.8583	4.2520	0.5630	1.4961	0.5906	2.0472	0.7480	SUC209 209-26 209-27 209-28	SFL209	1.84
		1-11/16												
	1-3/4	179	148	21.8	108	14.3	38	15	52.0	19.0				
SUCFL210 210-29 210-30 210-31 210-32	1-13/16	50	7.4409	6.1811	0.8583	4.5276	0.5945	1.5354	0.5906	2.1417	0.7480	SUCP210 210-29 210-30 210-31 210-32	SFL210	2.16
		1-7/8												
	1-15/16	189	157	21.8	115	15.1	39	15	54.4	19.0				
	2													

CHANGZHOU KADI INTERNATIONAL

Note: All mentioned names, Trademarks and Part No. are the property of their respective manufacturers, all consumables are not original, are manufactured and sold by KADI CO., reference to the original manufacturer is for convenience only.

BALL BEARING UNITS



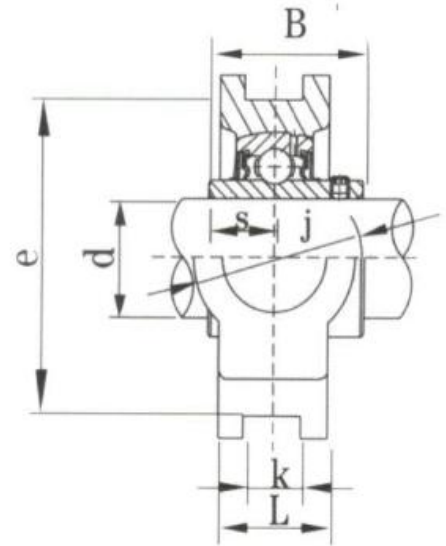
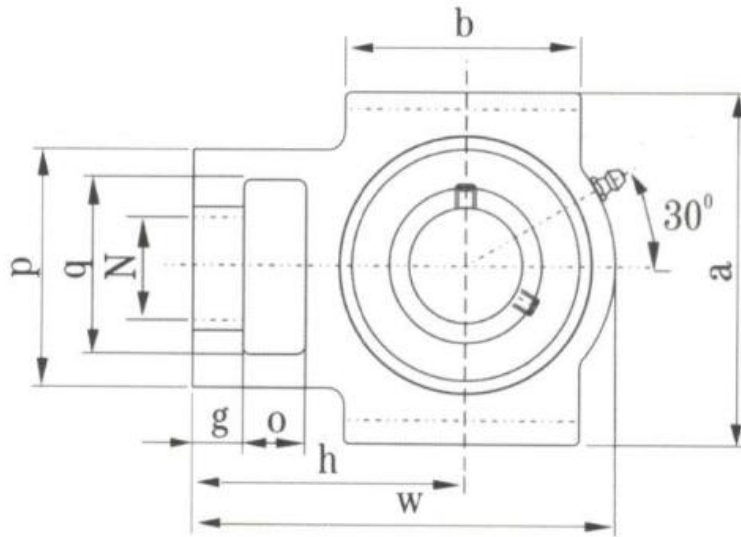
SUCFC200 SERIES

带座轴承型号 Bearing Unit No.	轴 径 Bore Dia		外型尺寸 (英寸) 或 (毫米) Dimensions (in) or (mm)											轴承 Bearing No.	轴承座 Housing No.	重量 Weight (kg)
	d		a	p	e	i	f	N	g	j	k	E	S			
	(in)	(mm)														
SUCFC201 201-8 202 202-10 203 203-11	1/2 5/8 11/16	12 15 17	3.9370 100	3.0709 78	2.1693 55.1	0.3937 10	2.4409 62	0.4724 12	0.8071 20.5	0.1968 5	0.2756 7	1.1142 28.3	0.5000 12.7	SUC201 201-8 202 202-10 203 203-11	SFC203	1.00
SUCFC204 204-12	3/4	20	3.9370 100	3.0709 78	2.1693 55.1	0.3937 10	2.4409 62	0.4724 12	0.8071 20.5	0.1968 5	0.2756 7	1.1142 28.3	0.5000 12.7	SUC204 204-12	SFC204	0.96
SUCFC205 205-14 205-15 205-16	7/8 15/16 1	25	4.5276 115	3.5433 90	2.5039 63.6	0.3937 10	2.7559 70	0.4724 12	0.8268 21	0.2362 6	0.2756 7	1.1732 29.8	0.5630 14.3	SUC205 205-14 205-15 205-16	SFC205	1.24
SUCFC206 206-17 206-18 206-19 206-20	1-1/16 1-1/8 1-3/16 1-1/4	30	4.9212 125	3.9370 100	2.7385 70.7	0.3937 10	3.1496 80	0.4724 12	0.9055 23	0.3150 8	0.3150 8	1.2677 32.2	0.6260 15.9	SUC206 206-17 206-18 206-19 206-20	SFC206	1.66
SUCFC207 207-20 207-21 207-22 207-23	1-1/4 1-5/16 1-3/8 1-7/16	35	5.3150 135	4.3307 110	3.0630 77.8	0.4331 11	3.5433 90	0.5512 14	1.0236 26	0.3150 8	0.3543 9	1.4331 36.4	0.6890 17.5	SUC207 207-20 207-21 207-22 207-23	SFC207	2.11
SUCFC208 208-24 208-25	1-1/2 1-9/16	40	5.7087 145	4.7244 120	3.3386 84.8	0.4331 11	3.9370 100	0.5512 14	1.0236 26	0.3937 10	0.3543 9	1.6220 41.2	0.7480 19.0	SUC208 208-24 208-25	SFC208	2.48
SUCFC209 209-26 209-27 209-28	1-5/8 1-11/16 1-3/4	45	6.2992 160	5.1968 132	3.6732 93.3	0.3937 10	4.1338 105	0.6299 16	1.0236 26	0.4724 12	0.5512 14	1.5827 40.2	0.7480 19.0	SUC209 209-26 209-27 209-28	SFC209	3.35
SUCFC210 210-29 210-30 210-31 210-32	1-13/16 1-7/8 1-15/16 2	50	6.4961 165	5.4331 138	3.8425 97.6	0.3937 10	4.3307 110	0.9299 16	1.1024 28	0.4724 12	0.5512 14	1.6772 42.6	0.7480 19.0	SUC210 210-29 210-30 210-31 210-32	SFC210	3.58
SUCFC211 211-32 211-33 211-34 211-35	2 2-1/16 2-1/8 2-3/16	55	7.2835 185	5.9055 150	4.1772 106.1	0.5118 13	4.9212 125	0.7480 19	1.2205 31	0.4724 12	0.5906 15	1.8268 46.4	0.874 22.2	SUC211 211-32 211-33 211-34 211-35	SFC211	5.07
SUCFC212 212-36 212-37 212-38 212-39	2-1/4 2-5/16 2-3/8 2-7/16	60	7.6772 195	6.2992 160	4.4528 113.1	0.6693 17	5.3150 135	0.7480 19	1.4173 36	0.4724 12	0.5906 15	2.2323 56.7	1.0000 25.4	SUC212 212-36 212-37 212-38 212-39	SFC212	5.97

CHANGZHOU KADI INTERNATIONAL

Note: All mentioned names, Trademarks and Part No. are the property of their respective manufacturers, all consumables are not original, are manufactured and sold by KADI CO., reference to the original manufacturer is for convenience only.

BALL BEARING UNITS



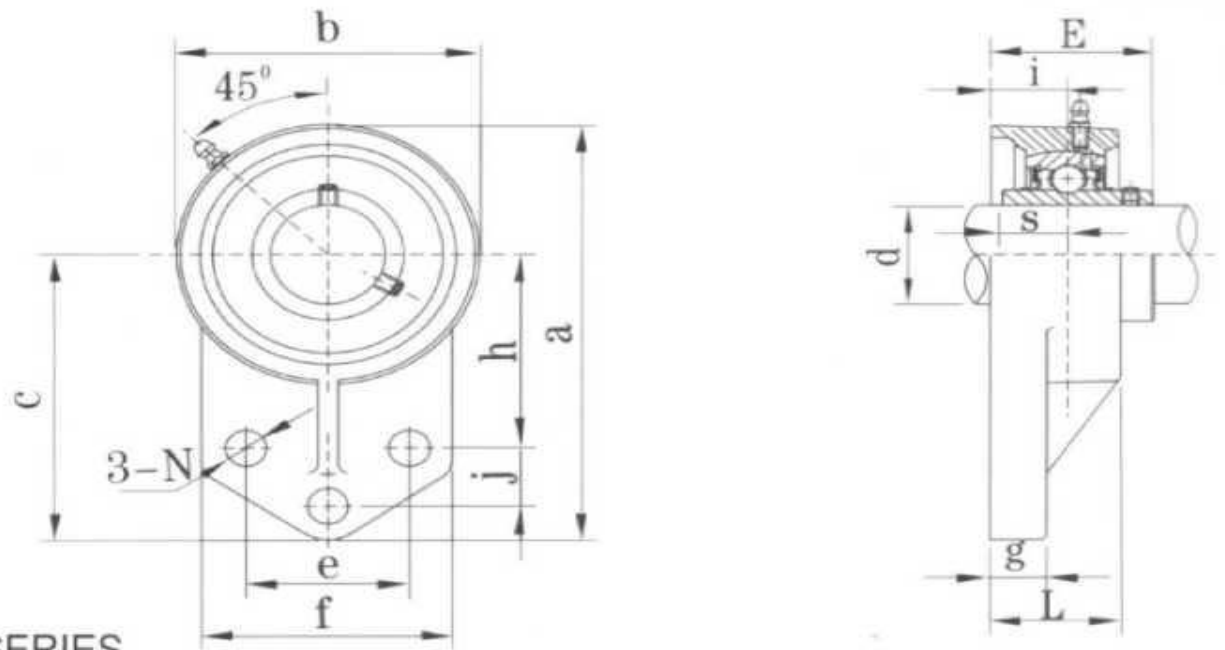
SUCT200 SERIES

带座轴承型号 Bearing Unit	轴径 Bore Dia		外型尺寸 (英寸) 或 (毫米) Dimensions (in) or (mm)														轴承 Bearing No.	轴承座 Housing No.	重量 Weight (kg)		
	No.	d		w	h	g	b	N	q	o	a	e	p	j	k	L				E	s
		(in)	(mm)																		
SUCT201 201-8 202 202-10 203 203-11	1/2 5/8 11/16	12 15 17	3.7008 94	2.4016 61	0.3937 10	2.0079 51	0.7480 19	1.2598 32	0.6299 16	3.5039 89	2.9921 76	2.0079 51	1.2598 32	0.4724 12	0.8268 21	1.2205 31.0	0.5000 12.7	SUC201 201-8 202 202-10 203 203-11	ST204	0.93	
SUCT204 204-12	3/4	20	3.7008 94	2.4016 61	0.3937 10	2.0079 51	0.7480 19	1.2598 32	0.6299 16	3.5039 89	2.9921 76	2.0079 51	1.2598 32	0.4724 12	0.8268 21	1.2205 31.0	0.5000 12.7	SUC204 204-12	ST204	0.89	
SUCT205 205-14 205-15 205-16	7/8 15/16 1	25	3.8189 97	2.4409 62	0.3937 10	2.0079 51	0.7480 19	1.2598 32	0.6299 16	3.5039 89	2.9921 76	2.0079 51	1.2598 32	0.4724 12	0.9449 24	1.3425 34.1	0.5630 14.3	SUC205 205-14 205-15 205-16	ST205	0.99	
SUCT206 206-17 206-18 206-19 206-20	1-1/16 1-1/8 1-3/16 1-1/4	30	4.4488 113	2.7559 70	0.3937 10	2.2441 57	0.8661 22	1.4567 37	0.6299 16	4.0157 102	3.5039 89	2.2047 56	1.4567 37	0.4724 12	1.1024 28	1.5000 38.1	0.6260 15.9	SUC206 206-17 206-18 206-19 206-20	ST205	1.46	
SUCT207 207-20 207-21 207-22 207-23	1-1/4 1-5/16 1-3/8 1-7/16	35	5.0787 129	3.0709 78	0.5118 13	2.5197 64	0.8661 22	1.4567 37	0.6299 16	4.0157 102	3.5039 89	2.5197 64	1.4567 37	0.4724 12	1.1811 30	1.6890 42.9	0.6890 17.5	SUC207 207-20 207-21 207-22 207-23	ST207	1.81	
SUCT208 208-24 208-25	1-1/2 1-9/16	40	5.6693 144	3.4646 88	0.6299 16	3.2677 83	1.1417 29	1.9291 49	0.7480 19	4.4882 114	4.0157 102	3.2677 83	1.9291 49	0.6299 16	1.2992 33	1.9370 49.2	0.7480 19.0	SUC208 208-24 208-25	ST208	2.68	
SUCT209 209-26 209-27 209-28	1-5/8 1-11/16 1-3/4	45	5.6693 144	3.4252 87	0.6299 16	3.2677 83	1.1417 29	1.9291 49	0.7480 19	4.6063 117	4.0157 102	3.2677 83	1.9291 49	0.6299 16	1.3780 33	1.9370 49.2	0.7480 19.0	SUC209 209-26 209-27 209-28	ST209	2.99	
SUCT210 210-29 210-30 210-31 210-32	1-13/16 1-7/8 1-15/16 2	50	5.8661 149	3.5433 90	0.6299 16	3.3858 86	1.1417 29	1.9291 49	0.7480 19	0.4063 117	4.0157 102	3.2677 83	1.9291 49	0.6299 16	1.4567 37	2.0315 51.6	0.7480 19.0	SUC210 210-29 210-30 210-31 210-32	ST210	2.98	
SUCT211 211-32 211-33 211-34 211-35	2 2-1/16 2-1/8 2-3/16	55	6.7323 171	4.1732 106	0.7480 19	3.7402 95	1.3780 35	2.5197 64	0.9842 25	5.7480 146	5.1181 130	4.0157 102	2.5197 64	0.8661 22	1.4961 38	2.1890 55.6	0.8740 22.2	SUC211 211-32 211-33 211-34 211-35	ST211	4.52	
SUCT212 212-36 212-37 212-38 212-39	2-1/4 2-5/16 2-3/8 2-7/16	60	7.6378 194	4.6850 119	0.7480 19	4.0157 102	1.3780 35	2.5197 64	1.2598 32	5.7480 146	5.1181 130	4.0157 102	2.5197 64	0.8661 22	1.6535 42	2.5630 65.1	1.0000 25.4	SUC212 212-36 212-37 212-38 212-39	ST212	5.57	

CHANGZHOU KADI INTERNATIONAL

Note: All mentioned names, Trademarks and Part No. are the property of their respective manufacturers, all consumables are not original, are manufactured and sold by KADI CO., reference to the original manufacturer is for convenience only.

BALL BEARING UNITS



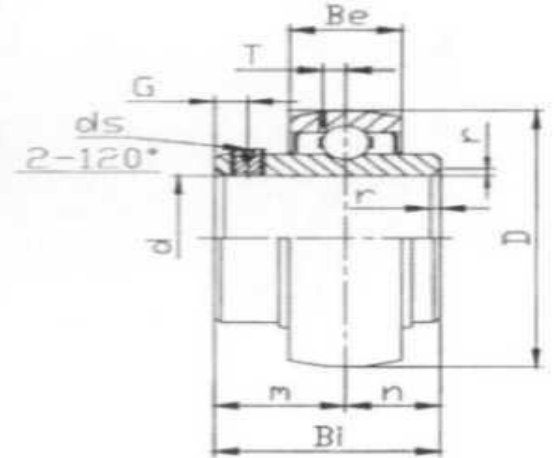
SUCFB200 SERIES

带座轴承型号 Bearing Unit No.	轴径 Bore Dia		外型尺寸 (英寸) 或 (毫米) Dimensions (in) or (mm)												轴承 Bearing No.	轴承座 Housing No.	重量 Weight (kg)
	d		a	h	b	f	i	L	N	g	j	e	E	s			
	in	mm															
SUCFB201 201-8	1/2	12	4.2520 108	1.6890 42.9	2.4803 63	2.3622 60	0.6299 16	1.0000 25.4	0.3898 9.9	0.3150 8	0.8740 22.2	1.5000 38.1	1.3504 34.3	0.5000 12.7	SUC201 201-8	SFB204	0.60
SUCFB202 202-10	5/8	15	4.2520 108	1.6890 42.9	2.4803 63	2.3622 60	0.6299 16	1.0000 25.4	0.3898 9.9	0.3150 8	0.8740 22.2	1.5000 38.1	1.3504 34.3	0.5000 12.7	SUC202 202-10	SFB204	0.58
SUCFB203 203-12	11/16	17	4.2520 108	1.6890 42.9	2.4803 63	2.3622 60	0.6299 16	1.0000 25.4	0.3898 9.9	0.3150 8	0.8740 22.2	1.5000 38.1	1.3504 34.3	0.5000 12.7	SUC203 203-11	SFB204	0.57
SUCFB204 204-12	3/4	20	4.2520 108	1.6890 42.9	2.4803 63	2.3622 60	0.6299 16	1.0000 25.4	0.3898 9.9	0.3150 8	0.8740 22.2	1.5000 38.1	1.3504 34.3	0.5000 12.7	SUC204 204-12	SFB204	0.55
SUCFB205 205-14 205-15 205-16	7/8 15/16 1	25	4.7638 121	1.8110 46	2.7559 70	2.5197 64	0.6693 17	1.1417 29	0.3898 9.9	0.3740 9.5	1.1260 28.6	1.6260 41.3	1.4488 36.8	0.5630 14.3	SUC205 205-14 205-15 205-16	SFB205	0.74
SUCFB206 206-17 206-18 206-19 206-20	1-1/16 1-1/8 1-3/16 1-1/4	30	5.3937 137	2.0630 52.4	3.2677 83	2.7559 70	0.7480 19	1.2598 32	0.3898 9.9	0.3740 9.5	1.2520 31.8	1.8740 47.6	1.6220 41.2	0.6260 15.9	SUC206 206-17 206-18 206-19 206-20	SFB206	01.09
SUCFB207 207-20 207-21 207-22 207-23	1-1/4 1-5/16 1-3/8 1-7/16	35	6.1417 156	2.3740 60.3	3.7402 95	3.2480 82.5	0.8268 21	1.4567 37	0.5157 13.1	0.5315 13.5	1.2520 31.8	2.0000 50.8	1.8268 46.4	0.6890 17.5	SUC207 207-20 207-21 207-22 207-23	SFB207	1.64
SUCFB208 208-24 208-25	1-1/2 1-9/16	40	6.4567 164	2.3622 60	3.9370 100	3.0709 78	0.8268 21	1.3386 34	0.4370 11.1	0.6299 16	1.6142 41.0	1.9685 50	2.0157 51.2	0.7480 19.0	SUC208 208-24 208-25	SFB208	2.29
SUCFB209 209-26 209-27 209-28	1-5/8 1-11/16 1-3/4	45	6.8504 174	2.5591 65	4.1732 106	3.1496 80	0.8268 21	1.3386 34	0.4370 11.1	0.7087 18	1.6890 42.9	2.1260 54	2.0157 51.2	0.7480 19.0	SUC209 209-26 209-27 209-28	SFB209	2.59
SUCFB210 210-29 210-30 210-31 210-32	1-13/16 1-7/8 1-15/16 2	50	7.5197 191	2.9370 74.6	4.6457 118	4.0157 102	0.8268 21	1.4961 38	0.5157 13.1	0.5118 13	1.6260 41.3	2.7520 69.9	2.1102 53.6	0.7480 19.0	SUC210 210-29 210-30 210-31 210-32	SFB210	3.14

CHANGZHOU KADI INTERNATIONAL

Note: All mentioned names, Trademarks and Part No. are the property of their respective manufacturers, all consumables are not original, are manufactured and sold by KADI CO., reference to the original manufacturer is for convenience only.

BALL BEARING INSERTS



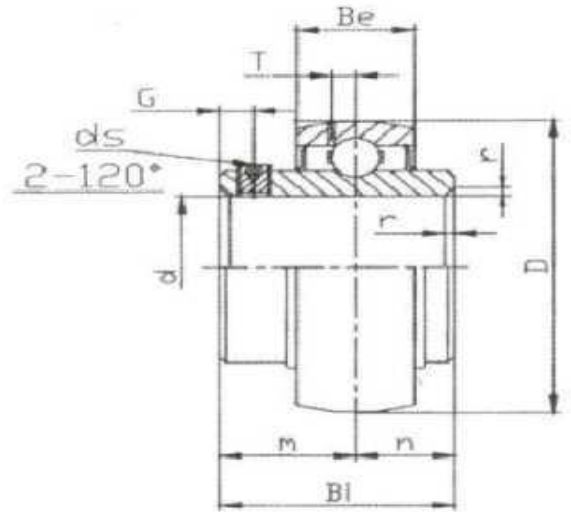
UC200 SERIES

Bearing No.	Shaft Dia		Dimensions (mm)									Basic Load Rating (kg)	Basic Static Load Rating (kg)	Weight (kg)
	(in)	(mm)	D	Bi	Be	r	n	m	G	ds	T			
UCW201-8 202-10 203-11	1/2 5/8 11/16		40	26	15	1	10	16	4	10-32UHF M5X0.8	4	900	580	0.19 0.18 0.17
UCW201 202 203		12 15 17												0.15 0.20 0.18
UC201-8 202-10 203-11 204-12	1/2 5/8 11/16 3/4		47	31	17	1	12.7	18.3	4.5	1/4-28 M6X0.75	3.7	1000	630	0.20 0.19 0.18 0.16
UC201 202 203 204		12 15 17 20												0.21 0.19 0.18 0.16
UC205-14 205-15 205-16	7/8 15/16 1		52	34.1	17	1.5	14.3	19.8	5	1/4-28 M6X0.75	3.9	1100	710	0.22 0.20 0.19
UC205		25												0.19
UC206-17 206-18 206-19 206-20	1-1/16 1-1/8 1-3/16 1-1/4		62	38.1	19	1.5	15.9	22.2	5	1/4-28 M6X0.75	5	1540	1020	0.36 0.34 0.32 0.31
UC206		30												0.31
UC207-20 207-21 207-22 207-23	1-1/4 1-5/16 1-3/8 1-7/16		72	42.9	20	2	17.5	25.4	6	5/16-24 M8X1	5.7	2030	1400	0.52 0.50 0.48 0.46
UC207		35												0.46
UC208-24 208-25	1-1/2 1-9/16		80	49.2	21	2	19.0	30.2	8	5/16-24 M8X1	6.2	2300	1600	0.68 0.64
UC208		40												0.63
UC209-26 209-27 209-28	1-5/8 1-11/16 1-3/4		85	49.2	22	2	19.0	30.2	8	5/16-24 M8X1	6.4	2560	1810	0.78 0.74 0.70
UC209		45												0.68
UC210-30 210-31	1-7/8 1-15/16		90	51.6	24	2	19.0	32.6	10	3/8-24 M10X1.25	6.5	2750	2020	0.85 0.80
UC210		50												0.78
UC211-32 211-34 211-35	2 2-1/8 2-3/16		100	55.6	25	2.5	22.2	33.4	10	3/8-24 M10X1.25	7	3400	2550	1.22 1.10 1.05
UC211		55												1.07
UC212-36 212-38 212-39	2-1/4 2-3/8 2-7/8		110	65.1	27	2.5	25.4	39.7	10	3/8-24 M10X1.25	7.6	4100	3150	1.65 1.49 1.42
UC212		60												1.52
UC213-40 UC213	2-1/2		120	65.1	28	2.5	25.4	39.7	10	3/8-24 M10X1.25	8.9	4480	3470	1.88 1.80

CHANGZHOU KADI INTERNATIONAL

Note: All mentioned names, Trademarks and Part No. are the property of their respective manufacturers, all consumables are not original, are manufactured and sold by KADI CO., reference to the original manufacturer is for convenience only.

BALL BEARING INSERTS



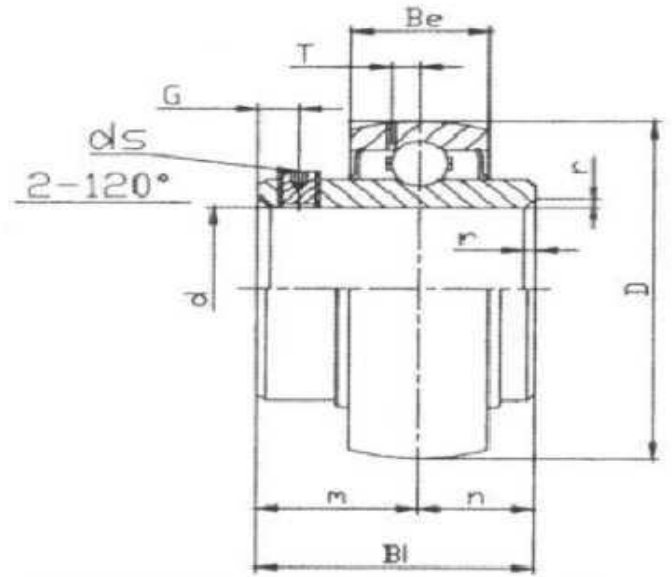
UC300 SERIES

Bearing No.	Shaft Dia d		Dimensions (mm)									Basic Load Rating (kg)	Basic Static Load Rating (kg)	Weight (kg)
	(in)	(mm)	D	Bi	Be	r	n	m	G	ds	T			
UC305-14 305-15 305-16 UC305	7/8 15/16 1	25	62	38	21	2	15	23	6	1/4-28 M6X0.75	6.1	1760	1160	0.39 0.37 0.35 0.35
UC306-18 306-19 UC306	1-1/8 1-3/16	30	72	43	23	2	17	26	6	1/4-28 M6X0.75	6.7	2119	1445	0.60 0.54 0.56
UC307-20 307-21 307-22 UC307	1-1/4 1-5/16 1-3/8	35	80	48	25	2.5	19	29	8	5/16-24 M8X1	7.4	2620	1830	0.81 0.79 0.75 0.75
UC308-24 308-25 UC308	1-1/2 1-9/16	40	90	52	27	2.5	19	33	10	3/8-24 M10X1.25	8.2	3200	2280	1.07 1 1
UC309-26 309-27 309-28 UC309	1-5/8 1-11/16 1-3/4	45	100	57	30	2.5	22	35	10	3/8-24 M10X1.25	9	4150	3060	1.39 1.33 1.28 1.26
UC310-30 310-31 UC310	1-7/8 1-15/16	50	110	61	32	3	22	39	12	7/16-20 M12X1.5	10	4850	3640	1.75 1.67 1.85
UC311-32 311-34 311-35 UC311	2 2-1/2 2-3/16	55	120	66	34	3	25	41	12	7/16-20 M12X1.5	10.7	5620	4280	2.3 2.2 2 2.1
UC312-36 312-38 312-39 UC312	2-1/4 2-3/8 2-7/16	60	130	71	36	3.5	26	45	12	7/16-20 M12X1.5	11.5	6420	4960	2.8 2.6 2.6 2.5
UC313-40 UC313	2-1/2	65	140	75	38	3.5	30	45	12	7/16-20 M12X1.5	12.2	7270	5780	3.46 3.32
UC314-44 UC314	2-3/4	70	150	78	40	3.5	33	45	12	7/16-20 M12X1.5	13	8170	6480	3.9 3.9
UC315-48 UC315	3	75	160	82	42	3.5	32	50	14	1/2-20 M14X1.5	13.8	8900	7310	4.33 4.18
UC316-50 UC316	3-1/8	80	170	86	44	3.5	34	52	14	1/2-20 M14X1.5	14.5	9650	8330	5.25
UC317-52 UC317	3-1/4	85	180	96	46	4	40	56	16	5/8-18 M16X1.5	15	10410	9130	7 6.7
UC318-56 UC318	3-1/2	90	190	96	48	4	40	56	16	5/8-18 M16X1.5	15.9	11300	10300	7.65 7.60
UC319-60 UC319	3-3/4	95	200	103	50	4	41	62	16	5/8-18 M16X1.5	16.7	12300	11600	8.75 8.75
UC320-64 UC320	4	100	215	108	54	4	42	66	18	3/4-16 M18X1.5	18	14300	12800	10.03 10.28
UC321		105	225	112	56	4	44	68	18	M18X1.5	19	18700	16300	12.3
UC322		110	240	117	60	4	46	71	18	M18X1.5	21	20900	18300	14.5
UC324		120	260	126	64	4	51	75	18	M18X1.5	22	21100	18400	18.7
UC326		130	280	135	68	5	54	81	20	M20X1.5	23	23400	20400	23.3
UC328		140	300	145	73	5	59	86	20	M20X1.5	25	26000	22700	28.9

CHANGZHOU KADI INTERNATIONAL

Note: All mentioned names, Trademarks and Part No. are the property of their respective manufacturers, all consumables are not original, are manufactured and sold by KADI CO., reference to the original manufacturer is for convenience only.

BALL BEARING INSERTS



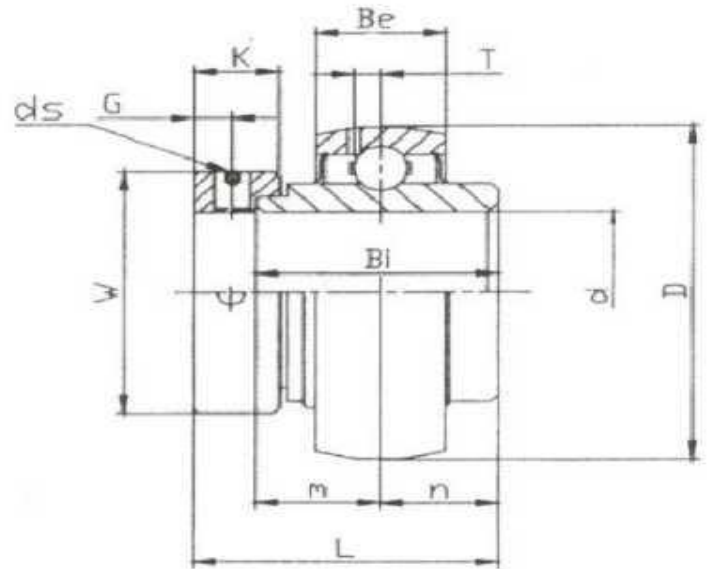
UCX00 SERIES

Bearing No.	Shaft Dia		Dimensions (mm)									Basic Load Rating (kg)	Basic Static Load Rating (kg)	Weight (kg)		
	(in)	(mm)	D	Bi	Be	r	n	m	G	ds	T					
UCX05-13	13/16															0.39
05-14	7/8															0.38
05-15	15/16		62	38.1	19	1.5	15.9	22.2	5	1/4-28	5	1540	1020		0.36	
05-16	1	25								M6X0.75					0.34	
UCX05																0.35
UCX06-17	1-1/16															0.59
06-18	1-1/8		72	42.9	20	2	17.5	25.4	6	5/16-24	5.7	2030	1400		0.57	
06-19	1-3/16									M8X1					0.54	
06-20	1-1/4	30													0.52	
UCX06																0.54
UCX07-20	1-1/4															0.77
07-21	1-5/16		80	49.2	21	2	19	30.2	8	5/16-24	6.2	2300	1600		0.74	
07-22	1-3/8									M8X1					0.7	
07-23	1-7/16	35													0.67	
UCX07																0.7
UCX08-24	1-1/2															0.92
08-25	1-9/16		85	49.2	22	2	19	30.2	8	5/16-24	6.4	2560	1810		0.88	
UCX08		40								M8X1					0.88	
UCX09-26	1-5/8															1.13
09-27	1-11/16		90	51.6	24	2	19	32.6	10	3/8-24	6.5	2750	2020		1.09	
09-28	1-3/4	45								M10X1.25					1.05	
UCX09																1.03
UCX10-29	1-13/16															1.14
10-30	1-7/8		100	55.6	25	2.5	22.2	33.4	10	3/8-24	7	3400	2550		1.36	
10-31	1-15/16									M10X1.25					1.31	
10-32	2	50													1.26	
UCX10																1.28
UCX11-32	2															1.90
11-33	2-1/16		110	65.1	27	2.5	25.4	39.7	10	3/8-24	7.6	4100	3150		1.84	
11-34	2-1/8									M10X1.25					1.77	
11-35	2-3/16	55													1.70	
UCX11																1.73
UCX12-36	2-1/4															2
12-37	2-5/16		120	65.1	28	2.5	25.4	39.7	10	3/8-24	8.9	4480	3470		1.93	
12-38	2-3/8									M10X1.25					1.85	
12-39	2-7/16	60													1.78	
UCX12																1.87
UCX13-40	2-1/2															2.32
13-41	2-9/16		125	74.6	30	2.5	30.2	44.4	12	7/16-20	8.9	4870	3810		2.23	
UCX13		65								M12X1.5					2.23	
UCX14-42	2-5/8															2.61
14-43	2-11/16		130	77.8	32	2.5	33.3	44.5	12	7/16-20	8.9	5200	4200		2.50	
14-44	2-3/4	70								M12X1.5					2.40	
UCX14																2.39
UCX15-45	2-13/16															3.59
15-46	2-7/8		140	82.6	33	3	33.3	49.3	14	7/16-20	9.6	5700	4550		3.47	
15-47	2-15/16									M12X1.5					3.36	
15-48	3	75													3.23	
UCX15																3.33
UCX16-50	3-1/8															4.16
UCX16		80	150	85.7	35	3	34.1	51.6	14	7/16-20	10	6600	5320		4.11	
UCX17-52	3-1/4															5.01
UCX17		85	160	96	37	3	39.7	56.3	15	M12X1.5	11	7550	6170		4.77	
UCX18-56	3-1/2															5.50
UCX18		90	170	104	38	3	42.9	61.1	14	1/2-20	11.9	11122	8449		5.60	
UCX20-63	3-15/16															9.0
X20-64	4	100	190	117.5	42	3.5	49.2	68.3	16	5/8-18	13	13570	10714		9.10	
UCX20										M16X1.5						9.20

CHANGZHOU KADI INTERNATIONAL

Note: All mentioned names, Trademarks and Part No. are the property of their respective manufacturers, all consumables are not original, are manufactured and sold by KADI CO., reference to the original manufacturer is for convenience only.

BALL BEARING INSERTS



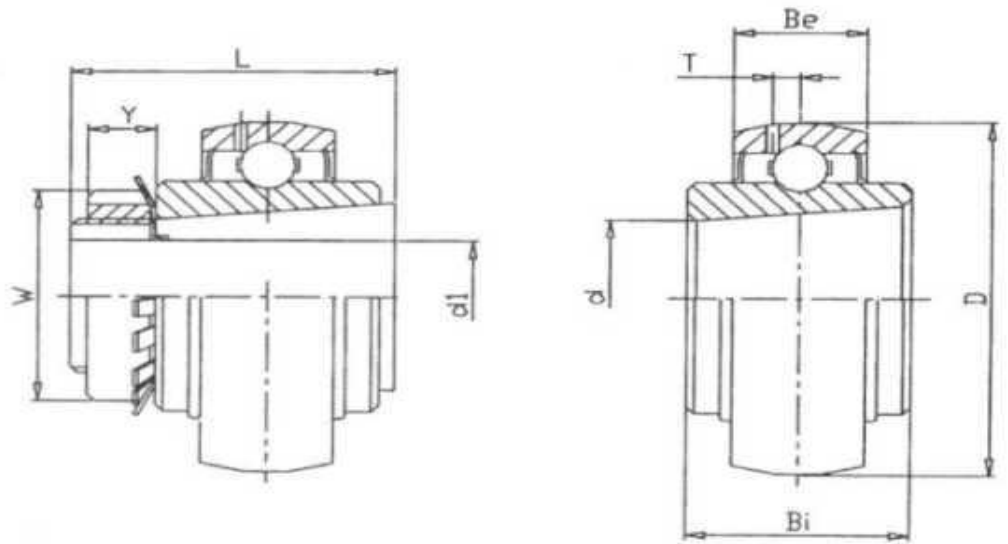
HC200 SERIES

Bearing No.	Shaft Dia d		Dimensions (mm)											Basic Load Rating (kg)	Basic Static Load Rating (kg)	Weight (kg)		
	(in)	(mm)	D	L	Bi	Be	n	m	T	W	K	G	ds					
HC201-8	1/2																	0.27
202-9	9/16																	0.26
202-10	5/8																	0.24
203-11	11/16																	0.23
204-12	3/4																	0.26
HC201		12	47	43.7	34.2	17	17.1	17.1	3.7	33.3	13.5	5	1/4-28	1000	630		0.27	
202		15											M6X0.75				0.24	
203		17															0.23	
204		20															0.21	
HC205-13	13/16																	0.31
205-14	7/8																	0.29
205-15	15/16																	0.27
205-16	1																	0.25
HC205		25	52	44.4	34.9	17	17.5	17.4	3.9	38.1	13.5	5	1/4-28	1100	710		0.25	
HC206-17	1-1/16																	0.40
206-18	1-1/8																	0.38
206-19	1-3/16																	0.35
206-20	1-1/4																	0.32
HC206		30	62	48.4	36.5	19	18.3	18.2	5	44.5	15.9	6	5/16-24	1540	1020		0.36	
HC207-20	1-1/4																	0.65
207-21	1-5/16																	0.62
207-22	1-3/8																	0.59
207-23	1-7/16																	0.55
HC207		35	72	51.1	37.6	20	18.8	18.8	5.7	55.6	17.5	6.5	5/16-24	2030	1400		0.59	
HC208-24	1-1/2																	0.74
208-25	1-9/16																	0.75
HC208		40	80	56.3	42.8	21	21.4	21.4	6.2	60.3	18.3	6.5	5/16-24	2300	1600		0.74	
HC209-26	1-5/8																	0.93
209-27	1-11/16																	0.88
209-28	1-3/4																	0.84
HC209		45	85	56.3	42.8	22	21.4	21.4	6.4	63.5	18.3	6.5	5/16-24	2560	1810		0.82	
HC210-29	1-13/16																	1.22
210-30	1-7/8																	1.17
210-31	1-15/16																	1.11
210-32	2																	1.05
HC210		50	90	62.7	49.2	24	24.6	24.6	6.5	69.9	18.3	6.5	5/16-24	2750	2020		1.08	
HC211-32	2																	1.59
211-33	2-1/16																	1.52
211-34	2-1/8																	1.45
211-35	2-3/16																	1.37
HC211		55	100	71.4	55.5	25	27.8	27.7	7	76.2	20.7	8	3/8-24	3400	2550		1.4	
HC212-36	2-1/4																	1.95
212-37	2-5/16																	1.86
212-38	2-3/8																	1.77
212-39	2-7/16																	1.68
HC212		60	110	77.8	61.9	24	31	30.9	7.6	84.2	22.3	8	3/8-24	4100	3150		1.7	
HC213-40	2-1/2																	2.14
213-41	2-9/16																	2.04
HC213		65	120	85.7	68.2	28	34.1	34.1	8.9	86	23.5	8.5	3/8-24	4480	3470		2.05	
HC214-42	2-5/8																	2.38
214-43	2-11/16																	2.27
214-44	2-3/4																	2.15
HC214		70	125	85.7	68.2	30	34.1	34.1	8.9	90	23.5	8.5	3/8-24	4870	3810		2.14	
HC215-45	2-13/16																	2.83
215-46	2-7/8																	2.7
215-47	2-15/16																	2.58
215-48	3																	2.43
HC215		75	130	92.1	74.6	32	37.3	37.3	8.9	102	23.5	8.5	3/8-24	5200	4200		2.57	

CHANGZHOU KADI INTERNATIONAL

Note: All mentioned names, Trademarks and Part No. are the property of their respective manufacturers, all consumables are not original, are manufactured and sold by KADI CO., reference to the original manufacturer is for convenience only.

BALL BEARING INSERTS



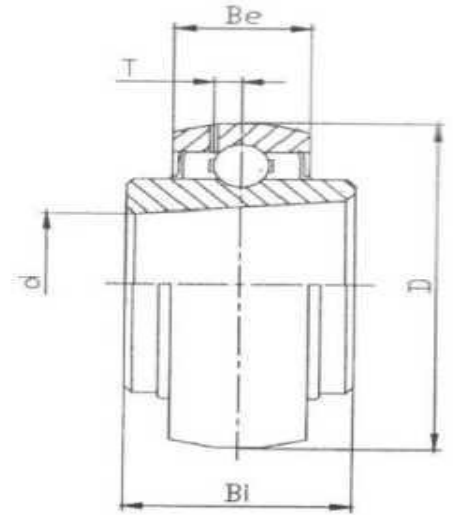
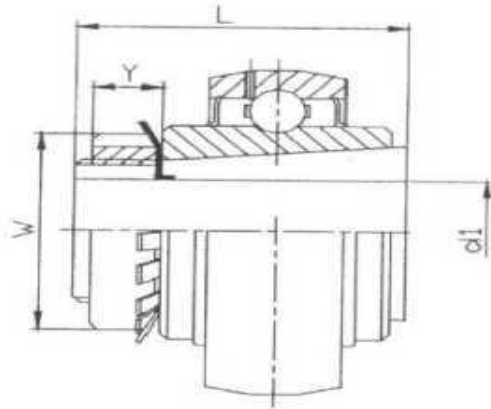
UK200+H SERIES

Bearing No.	Shaft Dia d		Dimensions (mm)								Basic Load Rating (kg)	Basic Static Load Rating (kg)	Weight (kg)
	(in)	(mm)	D	L	d	Bi	Be	T	y	w			
UK205+HE2305	3/4		52	35	25	23	17	4.5	8	38	1100	710	0.25
205+HA2305	13/16												0.24
UK205+H2305		20											0.24
UK206+HS2306	7/8		62	38	30	26	19	5.1	8	45	1540	1020	0.42
206+HA2306	15/16												0.41
206HE2306	1												0.37
UK206+H2306		25											0.4
UK207+HS2307	1-1/8		72	43	35	27	20	5.8	9	52	2030	1400	0.57
207+HA2307	1-3/16												0.55
UK207+H2307		30											0.55
UK208+HE2308	1-1/4		80	46	40	29	21	6.2	10	58	2300	1600	0.78
208+HA2308	1-5/16												0.75
208+HS2308	1-3/8												0.72
UK208+H2308		35											0.72
UK209+HA2309	1-7/16		85	50	45	30	22	6.5	11	65	2560	1810	0.89
209+HE2309	1-1/2												0.84
209+HS2309	1-5/8												0.77
UK209+H2309		40											0.8
UK210+HA2310	1-11/16		90	55	50	31	23	6.5	12	70	2750	2020	0.98
210+HE2310	1-3/4												0.95
UK210+H2310		45											0.93
UK211+HS2311	1-7/8		100	59	55	33	24	7.3	12	75	3400	2550	1.28
211+HA2311	1-15/16												1.22
211+HE2311	2												1.17
UK211+H2311		50											1.19
UK212+HA2312	2-1/16		110	62	60	36	26	7.7	13	80	4100	3150	1.62
212+HS2312	2-1/8												1.56
UK212+H2312		55											1.52
UK213+HA2313	2-3/16		120	65	65	38	27	8.3	14	85	4480	3470	2.1
213+HE2313	2-1/4												2.04
213+HS2313	2-3/8												1.89
UK213+H2313		60											1.91
UK215+HA2315	2-1/2		130	73	75	41	30	9.2	15	98	5200	4200	2.65
UK215+H2315		65											2.56
UK216+HE2316	2-3/4		140	78	80	44	32	9.6	17	105	5700	4550	3.24
UK216+H2316		70											3.23
UK217+HE2317	3		150	82	85	46	34	10.5	18	110	6600	5320	3.84
UK217+H2317		75											3.93
UK218+HS2318	3-1/8		160	86	90	49	36	11.1	18	120	7550	6170	4.8
UK218+H2318		80											4.75

CHANGZHOU KADI INTERNATIONAL

Note: All mentioned names, Trademarks and Part No. are the property of their respective manufacturers, all consumables are not original, are manufactured and sold by KADI CO., reference to the original manufacturer is for convenience only.

BALL BEARING INSERTS



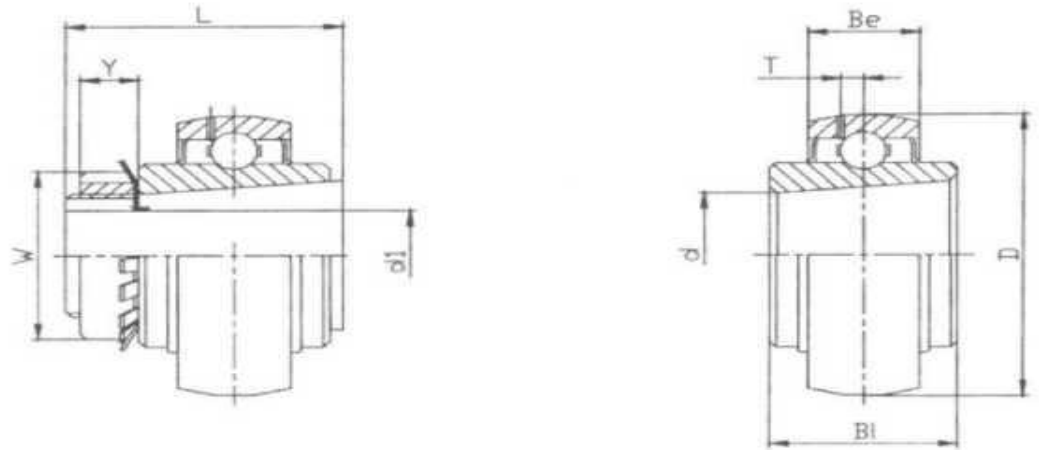
UK300+H SERIES

Bearing No.	Shaft Dia d		Dimensions (mm)								Basic Load Rating (kg)	Basic Static Load Rating (kg)	Weight (kg)
	(in)	(mm)	D	L	d	Bi	Be	T	y	w			
UK305+HE2305 UK305+H2305	3/4	20	62	35	25	26	21	6.1	8	38	2170	1120	1.07
UK306+HE2306 UK306+H2306	1	25	72	38	30	29	23	6.7	8	45	2730	1530	1.32
UK307+HS2307 UK307+H2307	1-1/8	30	80	43	35	31	25	7.4	9	52	3400	1960	1.65
UK308+HE2308 308+HS2308 UK308+H2308	1-1/4 1-3/8	35	90	46	40	34	27	8.2	10	58	4150	2440	2.25
UK309+HE2309 309+HS2309 UK309+H2309	1-1/2 1-5/8	40	100	50	45	37	30	9	11	65	5250	3000	2.92
UK310+HE2310 UK310+H2310	1-3/4	45	110	55	50	40	32	10	12	70	6300	3900	3.75
UK311+HS2311 311+HE2311 UK311+H2311	1-7/8 2	50	120	59	55	43	34	10.7	12	75	7300	4600	4.59
UK312+HS2312 UK312+H2312	2-1/8	55	130	62	60	46	36	11.5	13	80	8300	5300	5.64
UK313+HE2313 313+HS2313 UK313+H2313	2-1/4 2-3/8	60	140	65	65	48	38	12.2	14	85	9450	6100	6.85
UK315+HE2315 UK315+H2315	2-1/2	65	160	73	75	54	42	13.8	15	98	11600	7800	10.6
UK316+HE2316 UK316+H2316	2-3/4	70	170	78	80	57	44	14.5	17	105	12500	8800	12.6
UK317+HE2317 UK317+H2317	3	75	180	82	85	60	46	15	18	110	13500	9800	14.7
UK318+HS2318 UK318+H2318	3-1/8	80	190	86	90	63	48	15.9	18	120	14600	10900	16.8
UK319+HS2319 UK319+H2319	3-1/4	85	200	90	95	66	50	16.7	19	125	15600	12100	19.5
UK320+HE2320 UK320+H2320	3-1/2	90	215	97	100	72	54	18	20	130	17700	14300	24.1
UK322+HE2322 UK322+H2322	4	100	240	105	110	80	60	21	21	145	20900	18200	32.1
UK324+H2324		110	260	112	120	86	64	22	22	155	21100	18900	40.2
UK326+H2326		115	280	121	130	92	68	23	23	165	23400	21900	52
UK328+H2328		125	300	131	140	98	73	25	24	180	26000	25000	64.2

CHANGZHOU KADI INTERNATIONAL

Note: All mentioned names, Trademarks and Part No. are the property of their respective manufacturers, all consumables are not original, are manufactured and sold by KADI CO., reference to the original manufacturer is for convenience only.

BALL BEARING INSERTS



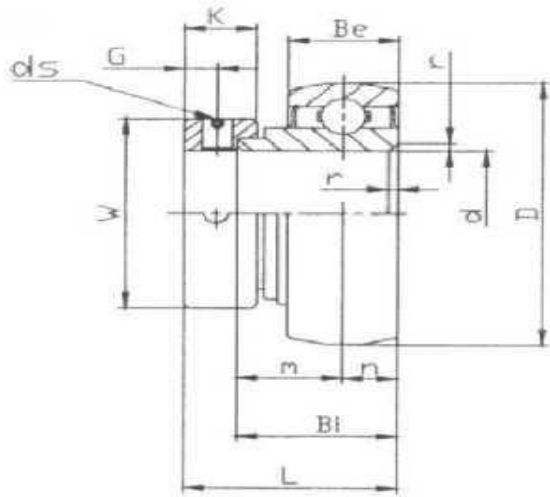
UKX00+H SERIES

Bearing No.	Shaft Dia d		Dimensions (mm)								Basic Load Rating (kg)	Basic Static Load Rating (kg)	Weight (kg)
	(in)	(mm)	D	L	d	Bi	Be	T	y	w			
UKX05+HE2305 X05+HA2305 UKX05+H2305	3/4 13/16	20	62	35	25	26	19	5.1	8	38	2000	1100	0.83
UKX06+HS2306 X06+HA2306 X06HE2306 UKX06+H2306	7/8 15/16 1	25	72	38	30	27	20	5.8	8	45	2640	1570	1.2
UKX07+HS2307 X07+HA2307 UKX07+H2307	1-1/8 1-3/16	30	80	43	35	29	21	6.2	9	52	2990	1830	1.56
UKX08+HE2308 X08+HA2308 X08+HS2308 UKX08+H2308	1-1/4 1-5/16 1-3/8	35	85	46	40	30	22	6.5	10	58	3350	2090	1.81
UKX09+HA2309 X09+HE2309 X09+HS2309 UKX09+H2309	1-7/16 1-1/2 1-5/8	40	90	50	45	31	23	6.5	11	65	3600	2370	2.1
UKX10+HA2310 X10+HE2310 UKX10+H2310	1-11/16 1-3/4	45	100	55	50	33	24	7.3	12	70	4400	3000	2.72
UKX11+HS2311 X11+HA2311 X11+HE2311 UKX11+H2311	1-7/8 1-15/16 2	50	110	59	55	36	26	7.7	12	75	5350	3700	3.43
UKX12+HA2312 X12+HS2312 UKX12+H2312	2-1/16 2-1/8	55	120	62	60	38	27	8.3	13	80	5850	4100	4.21
UKX13+HA2313 X13+HE2313 X13+HS2313 UKX13+H2313	2-3/16 2-1/4 2-3/8	60	125	65	65	40	29	8.7	14	85	6350	4500	4.66
UKX15+HE2315 UKX15+H2315	2-1/2	65	140	73	75	44	32	9.6	15	98	7400	5400	7.25
UKX16+HE2316 UKX16+H2316	2-3/4	70	150	78	80	46	34	10.5	17	105	8500	6300	8.61
UKX17+HE2317 UKX17+H2317	3	75	160	82	85	49	36	11.1	18	110	9750	7300	10.6
UKX18+HS2318 UKX18+H2318	3-1/8	80	170	86	90	52	38	11.9	18	120	11100	8350	11.4
UKX20+HA2320 X20+HE2320 UKX20+H2320	3-7/16 3-1/2	90	190	97	100	58	42	13	20	130	13700	10700	18.1

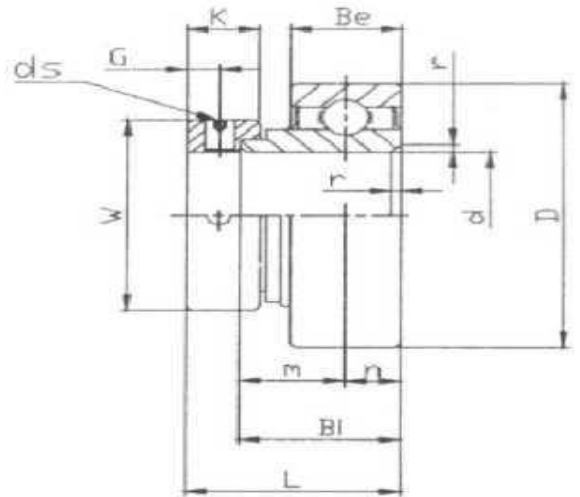
CHANGZHOU KADI INTERNATIONAL

Note: All mentioned names, Trademarks and Part No. are the property of their respective manufacturers, all consumables are not original, are manufactured and sold by KADI CO., reference to the original manufacturer is for convenience only.

BALL BEARING INSERTS



SA200 SERIES



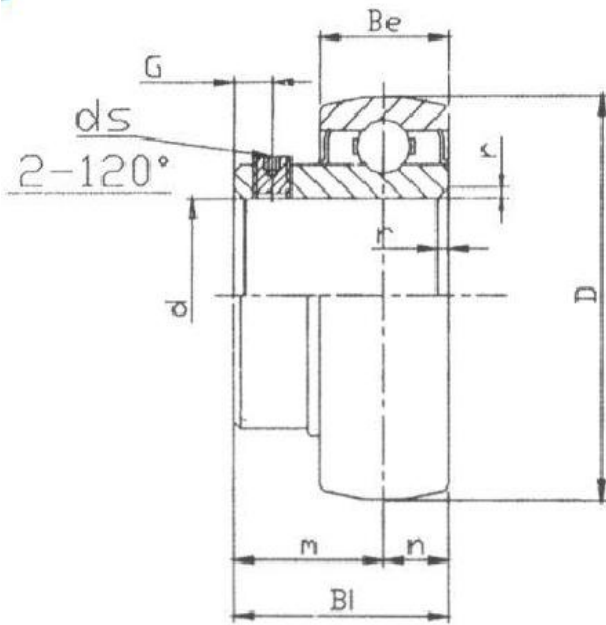
CSA200 SERIES

Bearing No.		Shaft Dia d		Dimensions (mm)										Basic Load Rating (kg)	Basic Static Load Rating (kg)	Weight (kg)		
		(in)	(mm)	Be	D	Bi	r	n	m	L	W	K	G				ds	
SA201-8	CSA201-8	1/2																0.14
202-9	202-9	9/16																0.13
202-10	202-10	5/8																0.12
203-11	203-11	11/16																0.12
SA201	CSA201		12															0.11
202	202		15															0.10
203	203		17															0.09
SA204-12	CSA204-12	3/4																0.15
SA204	CSA204		20															0.16
SA205-14	CSA205-14	7/8																0.21
205-15	205-15	15/16																0.19
205-16	205-16	1																0.18
SA205	CSA205		25															0.18
SA206-17	CSA206-17	1-1/16																0.34
206-18	206-18	1-1/8																0.32
206-19	206-19	1-3/16																0.3
206-20	206-20	1-1/4																0.29
SA206	CSA206		30															0.3
SA207-20	CSA207-20	1-1/4																0.55
207-21	207-21	1-5/16																0.53
207-22	207-22	1-3/8																0.5
207-23	207-23	1-7/16																0.47
SA207	CSA207		35															0.5
SA208-24	CSA208-24	1-1/2																0.67
208-25	208-25	1-9/16																0.65
SA208	CSA208		40															0.63
SA209-26	CSA209-26	1-5/8																0.74
209-27	209-27	1-11/16																0.72
209-28	209-28	1-3/4																0.67
SA209	CSA209		45															0.66
SA210-29	CSA210-29	1-3/16																0.9
210-30	210-30	1-7/8																0.86
210-31	210-31	1-15/16																0.83
210-32	210-32	2																0.79
SA210	CSA210		50															0.80
SA211-32	CSA211-32	2																0.95
211-33	211-33	2-1/16																0.91
211-34	211-34	2-1/8																0.86
211-35	211-35	2-3/16																0.81
SA211	CSA211		55															0.77
SA212-36	CSA212-36	2-1/4																1
212-39	212-39	2-7/16																0.98
SA212	CSA212		60															0.99

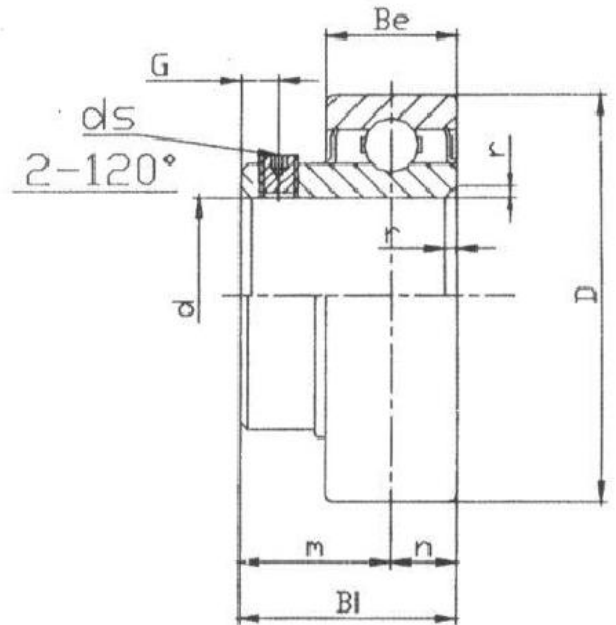
CHANGZHOU KADI INTERNATIONAL

Note: All mentioned names, Trademarks and Part No. are the property of their respective manufacturers, all consumables are not original, are manufactured and sold by KADI CO., reference to the original manufacturer is for convenience only.

BALL BEARING INSERTS



SB200 SERIES



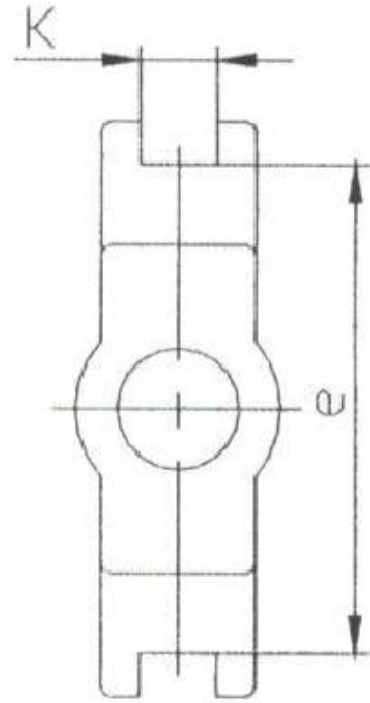
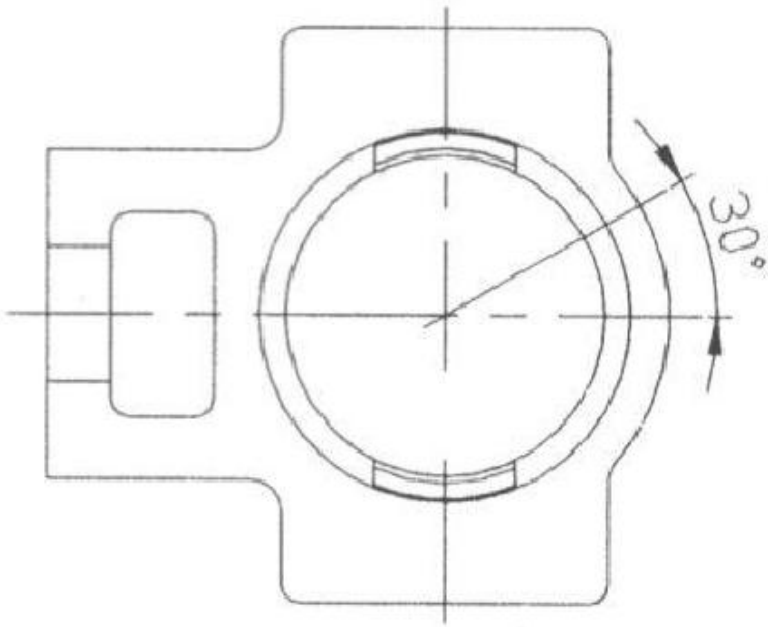
CSB200 SERIES

Bearing No.		Shaft Dia d		Dimensions (mm)								Basic Load Rating (kg)	Basic Static Load Rating (kg)	Weight (kg)	
		(in)	(mm)	Be	D	Bi	r	n	m	G	ds				
SB201-8	CSB201-8	1/2													0.09
202-9	202-9	9/16													0.08
202-10	202-10	5/8													0.08
203-11	203-11	11/16		12	40	22	1	6	16	4.5	10-32UHF M5X0.8	780	454		0.07
SB201	CSB201		12												0.09
202	202		15												0.08
203	203		17												0.07
SB204-12	CSB204-12	3/4													
SB204	CSB204		20	14	47	25	1.5	7	18	4.5	1/4-28 M6X0.75	1010	630		0.12
SB205-14	CSB205-14	7/8													
205-15	205-15	15/16													
205-16	205-16	1		15	52	27	1.5	7.5	19.5	5	1/4-28 M6X0.75	1100	710		0.16
SB205	CSB205		25												0.17
SB206-17	CSB206-17	1-1/16													
206-18	206-18	1-1/8													
206-19	206-19	1-3/16													
206-20	206-20	1-1/4		16	62	30	1.5	8	22	5.5	1/4-28 M6X0.75	1550	1020		0.23
SB206	CSB206		30												0.25
SB207-20	CSB207-20	1-1/4													
207-21	207-21	1-5/16													
207-22	207-22	1-3/8													
207-23	207-23	1-7/16		17	72	32	2	8.5	23.5	6	5/16-24 M8X1	2030	1400		0.37
SB207	CSB207		35												0.35
SB208-24	CSB208-24	1-1/2													
208-25	208-25	1-9/16													
SB208	CSB208		40	18	80	34	2	9	25	8	5/16-24 M8X1	2300	1600		0.45
SB209-26	CSB209-26	1-5/8													
209-27	209-27	1-11/16													
209-28	209-28	1-3/4													
SB209	CSB209		45	19	85	41.2	2	10.2	31	8	5/16-24 M8X1	2570	1810		0.8
SB210-30	CSB210-30	1-7/8													
210-31	210-31	1-15/16													
SB210	CSB210		50	20	90	43.5	2	10.9	32.6	9	5/16-24 M8X1	2760	2010		0.87
SB211-32	CSB211-32	2													
211-35	211-35	2-3/16													
SB211	CSB211		55	21	100	45.3	2.5	11.8	33.5	10	5/16-24 M8X1	3400	2550		1.1
SB212-36	CSB212-36	2-1/4													
212-39	212-39	2-7/16													
SB212	CSB212		60	22	110	53.7	2.5	14.9	38.8	10	3/8-24 M10X1.25	4100	3150		1.3

CHANGZHOU KADI INTERNATIONAL

Note: All mentioned names, Trademarks and Part No. are the property of their respective manufacturers, all consumables are not original, are manufactured and sold by KADI CO., reference to the original manufacturer is for convenience only.

BEARING HOUSING

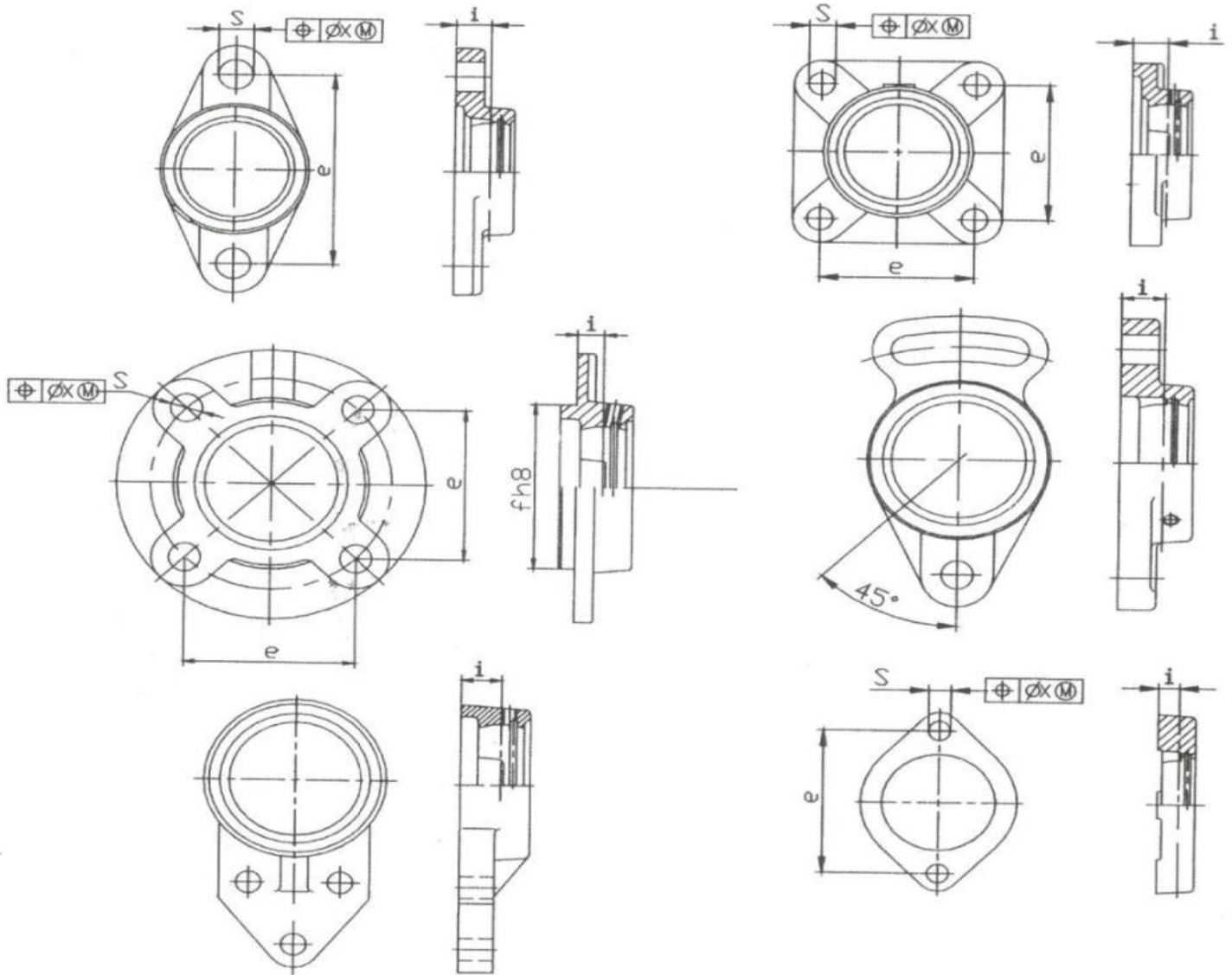


Housing No					k		e	
T			ST	NST	higt	low	higt	low
204			204	204				
205	305	x05	205	205				
206	306	x06	206	206				
207	307	x07	207	207	+0.2	0	0	-0.5
208	308	x08	208	208				
209	309	x09	209	209				
210	310	x10	210	210				
211	311	x11	211	211				
212	312	x12	212	212				
213	313	x13	213					
214	314	x14						
215	315	x15						
216	316	x16						
217	317	x17						
218	318				+0.3	0	0	-0.8
	319							
	320							
	321							
	322							
	324							
	326							
	328							

CHANGZHOU KADI INTERNATIONAL

Note: All mentioned names, Trademarks and Part No. are the property of their respective manufacturers, all consumables are not original, are manufactured and sold by KADI CO., reference to the original manufacturer is for convenience only.

BEARING HOUSING



Housings No			i		e		Tolerances of position for mounting bolt holes
F FL FT FLU FS LFL FW LF FC FA FB	F FL FS	F FL FC	high	low	high	low	x <
203 204 205 206 207 208 209 210	305 306 307 308 309 310	X05 X06 X07 X08 X09	+0.50	-0.50	+0.70	-0.7	0.6
211 212 213 214 215 216 217 218	311 312 313 314 315 316 317 318 319 320 321 322 324 326 328	X10 X11 X12 X13 X14 X15 X16 X17 X18 X20	+0.80	-0.80	+1.0	-1	0.8

CHANGZHOU KADI INTERNATIONAL

Note: All mentioned names, trademarks and Part No. are the property of their respective manufacturers, all consumables are not original, are manufactured and sold by KADI CO., reference to the original manufacturer is for convenience only.

BEARING HOUSING

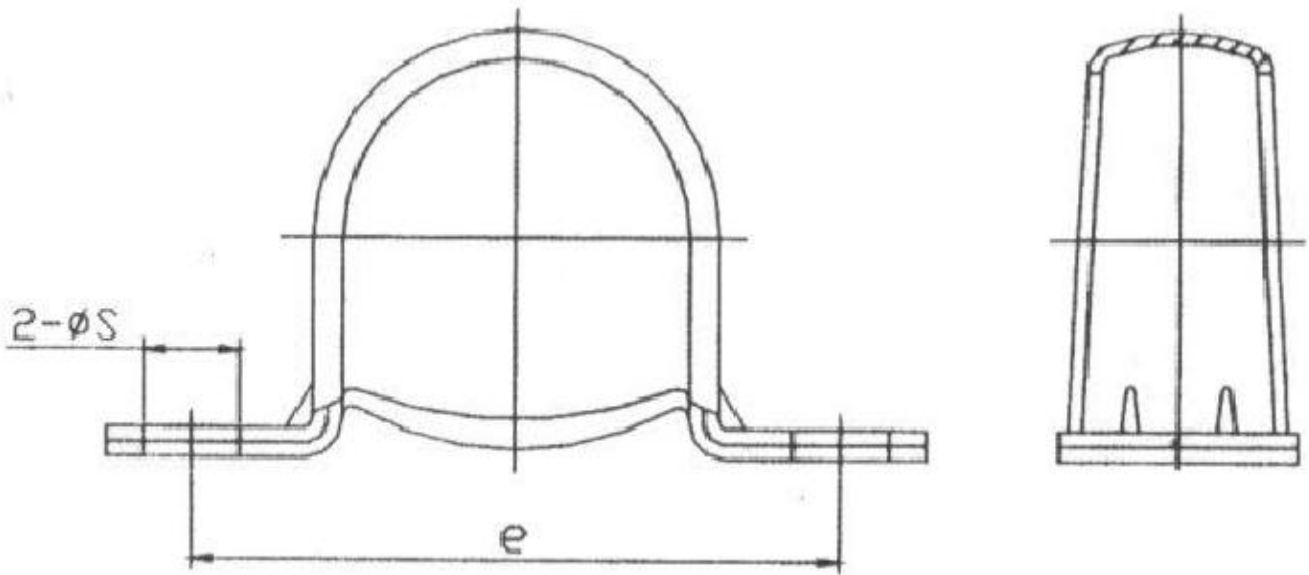


Table 6

Unit: μm

Housing No	Deviations	
	e	S
PP203	± 400	± 500
PP204		
PP205		
PP206		

CHANGZHOU KADI INTERNATIONAL

Note: All mentioned names, Trademarks and Part No. are the property of their respective manufacturers, all consumables are not original, are manufactured and sold by KADI CO., reference to the original manufacturer is for convenience only.

BEARING HOUSING

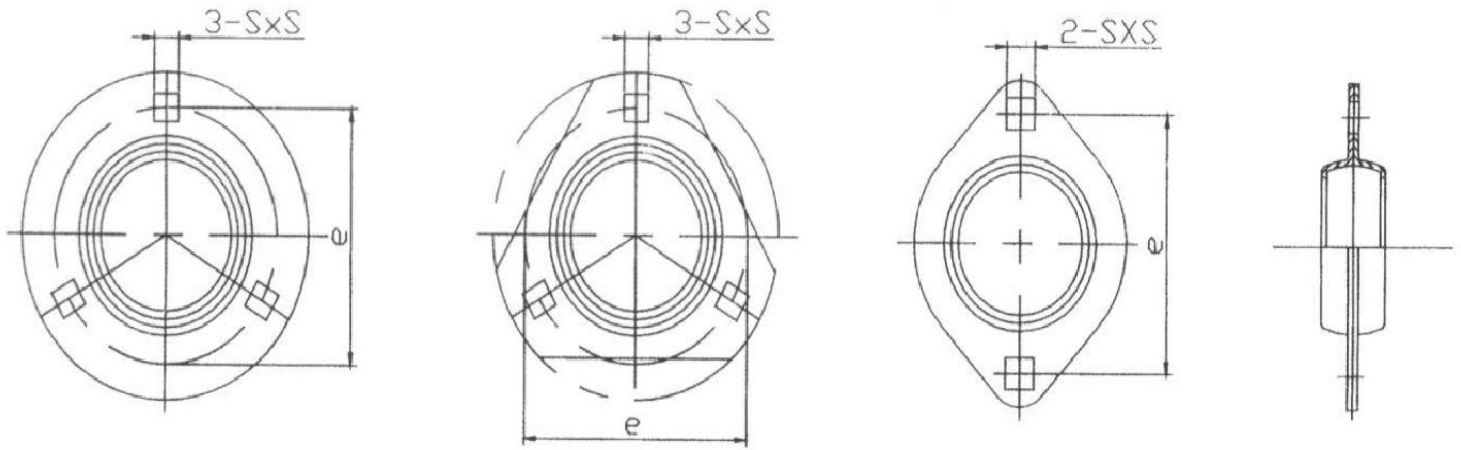


Table 7		Unit: um	
Housing No	Deviations		
	e	S	
PF203 PFL203 PFT203	± 400	± 250	
PF204 PFL204 PFT204			
PF205 PFL205 PFT205			
PF206 PFL206 PFT206			
PF207 PFL207 PFT207			

CHANGZHOU KADI INTERNATIONAL

Note: All mentioned names, Trademarks and Part No. are the property of their respective manufacturers, all consumables are not original, are manufactured and sold by KADI CO., reference to the original manufacturer is for convenience only.